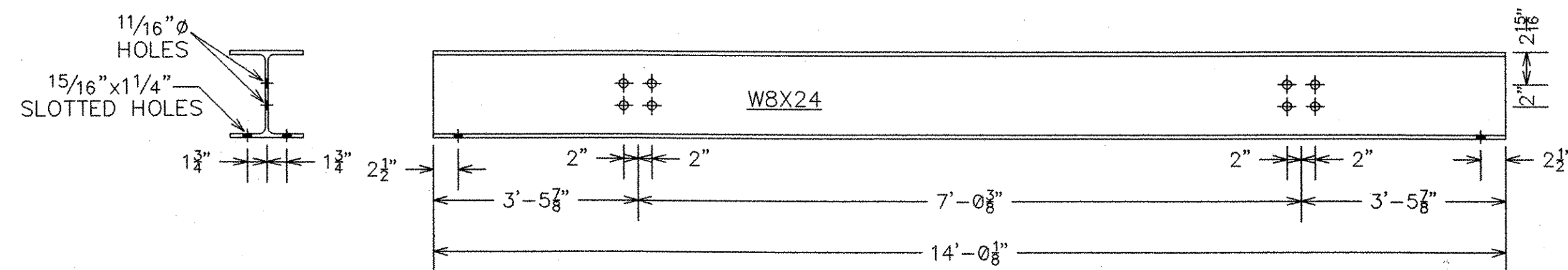
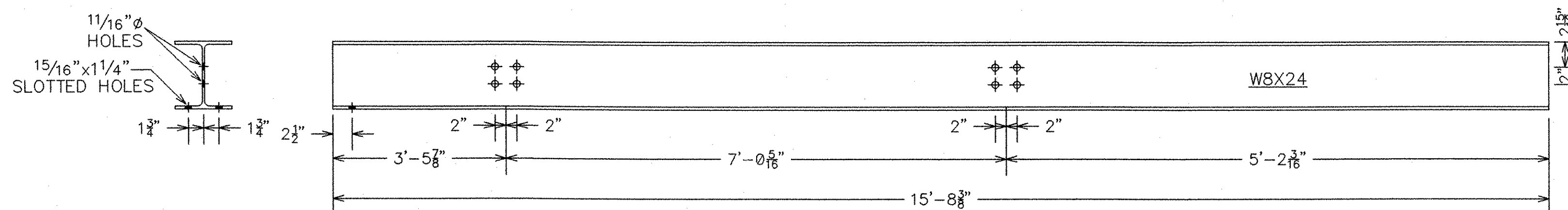


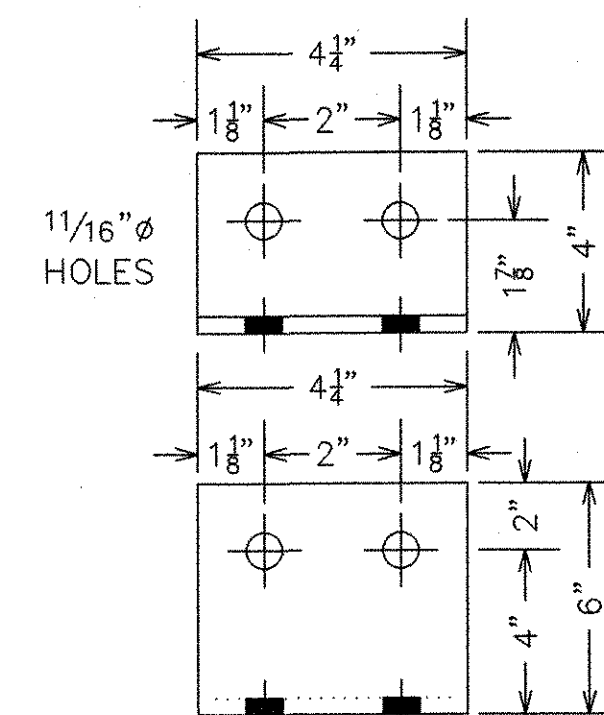
SIDEWALK STRINGER 1
2 REQ'D
GALVANIZED



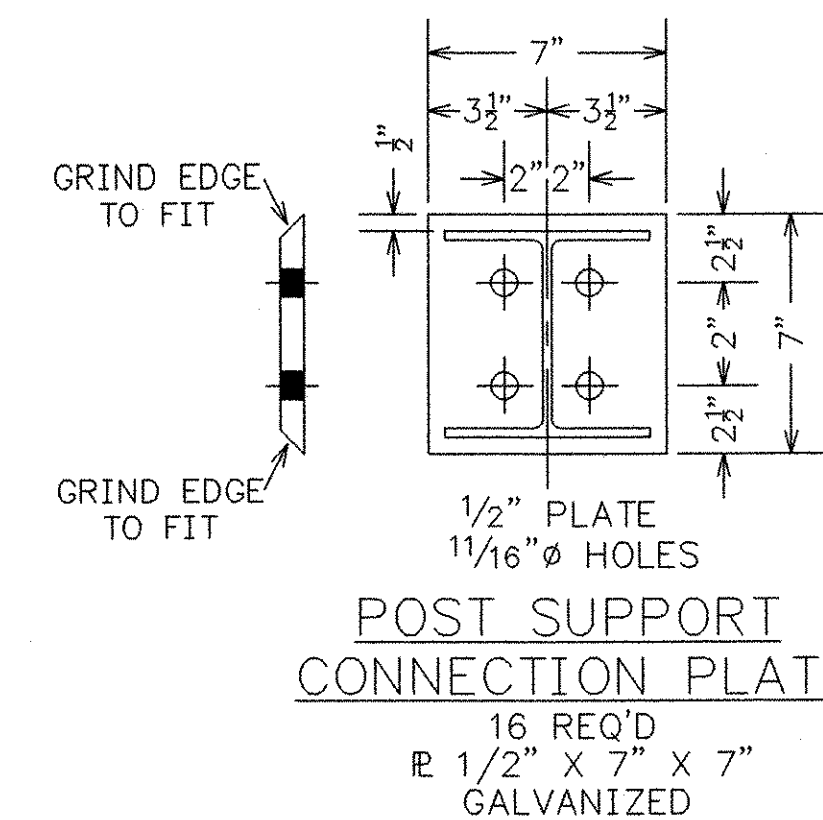
SIDEWALK STRINGER 2
12 REQ'D
GALVANIZED



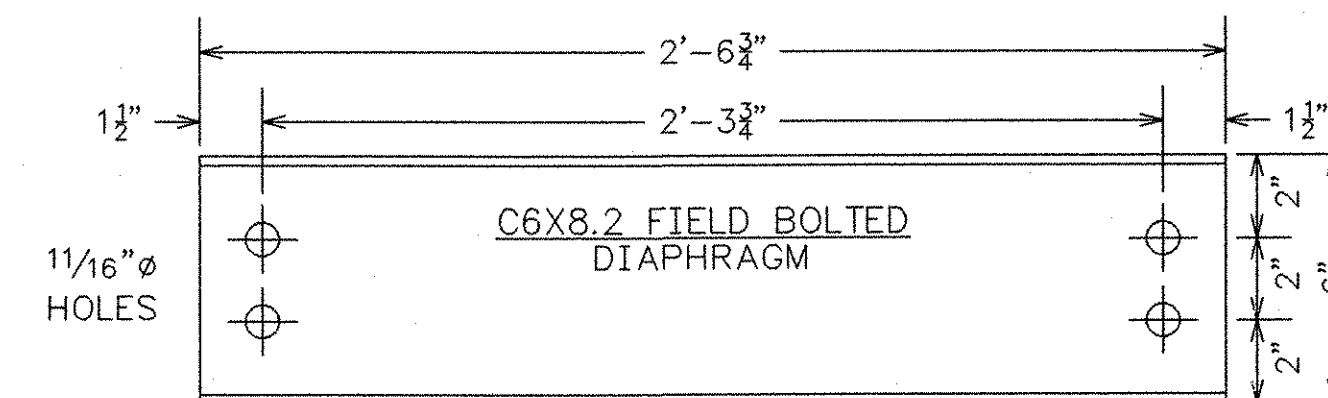
SIDEWALK STRINGER 3
2 REQ'D
GALVANIZED



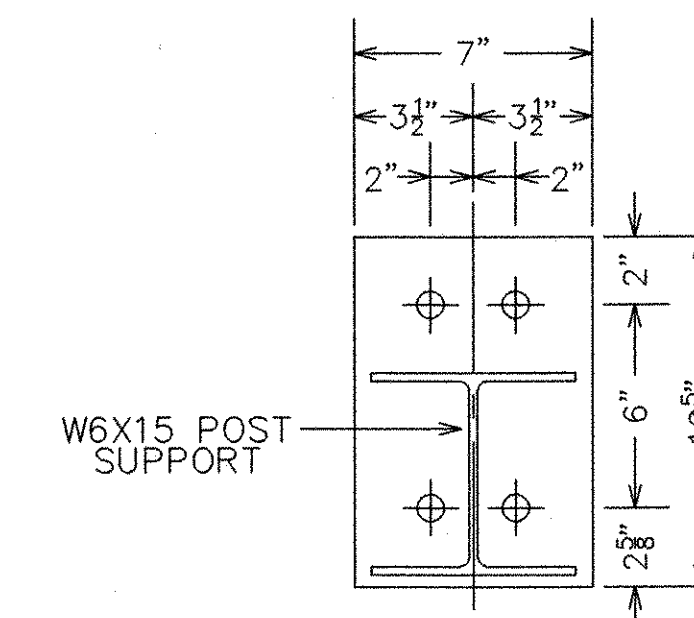
SIDEWALK DIAPHRAGM CONNECTION ANGLE
64 REQ'D
L6" X 4" X 3/8"
GALVANIZED



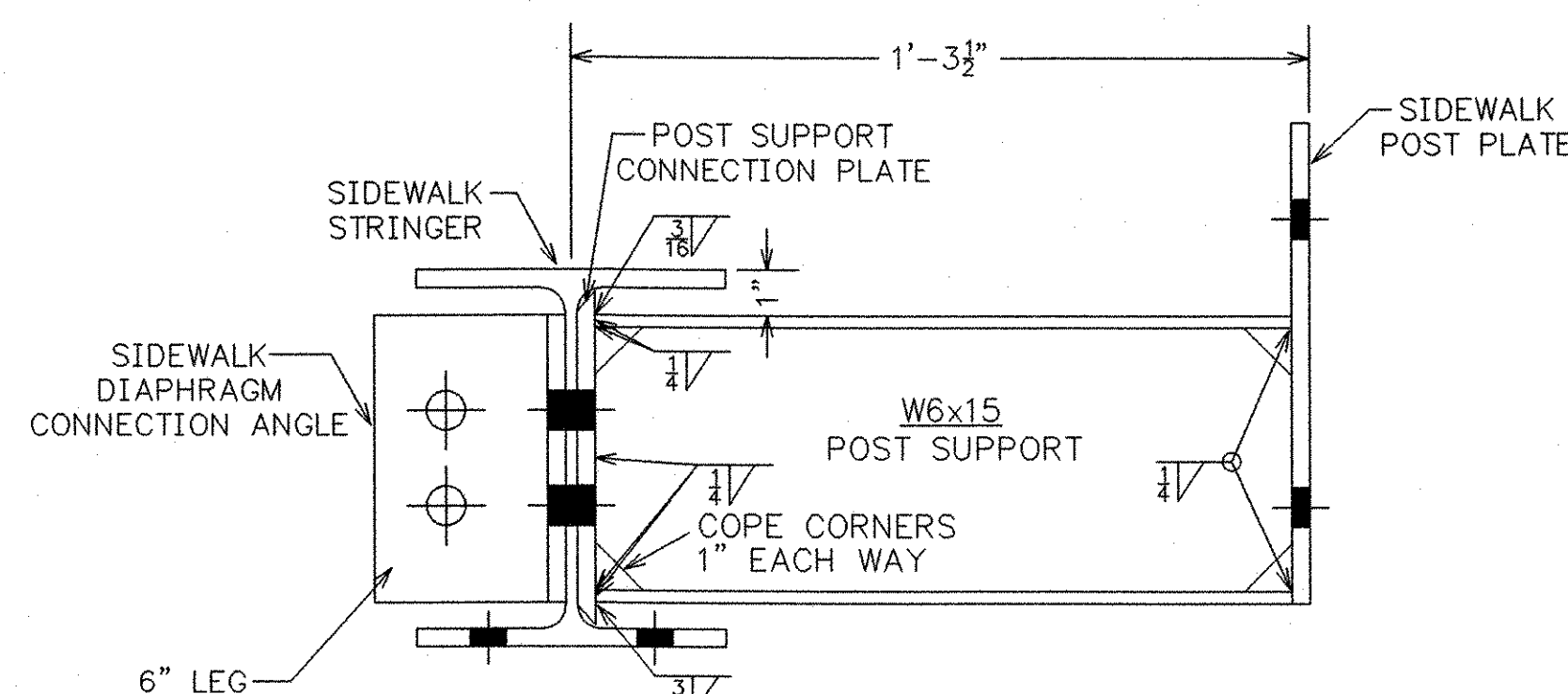
POST SUPPORT CONNECTION PLATE
16 REQ'D
R 1/2" X 7" X 7"
GALVANIZED



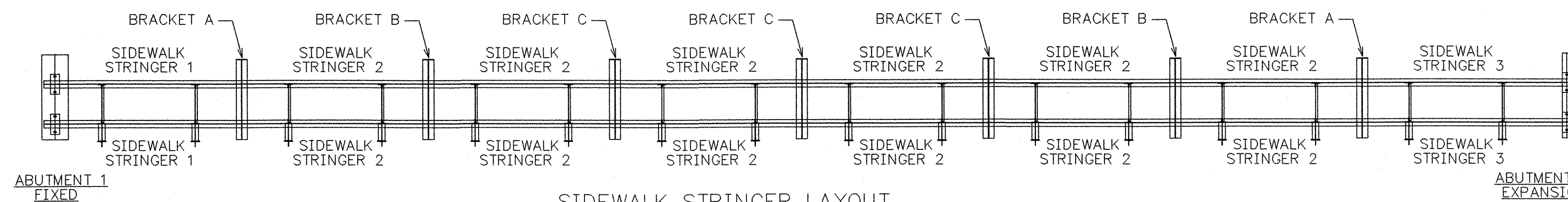
SIDEWALK DIAPHRAGM DETAIL
16 REQ'D
GALVANIZED



SIDEWALK POST PLATES
16 REQ'D
R 1/2" X 7" X 10 5/8"
GALVANIZED



POST SUPPORT & CONNECTION ANGLE DETAIL
16 REQ'D



SIDEWALK STRINGER LAYOUT

RECEIVED
OK'D BY: JAS OK'D BY: _____
NOV 13 2004
RESUBMIT _____ APPROVED: [Signature]
BY: _____ DATE: 12-14-04

FABRICATOR: U.S. BRIDGE
CONTACT: 201 WHEELING AVE.
P.O. BOX 757
CAMBRIDGE, OHIO 43725
1-888-872-7434

NO.	DATE	REVISIONS	BY	DESCRIPTION
1	11/29/04	DRAWING REVISED	JEC	

112'-5" TRUSS BRIDGE
GRANITE STREET
CITY OF BARRE
WASHINGTON COUNTY, VERMONT

21'-0" RDWY + 6' SW
PROJ. NO. HDP 9281(1)
BRIDGE # 11

DESIGN SAF	DRAWN JEC	DATE OCTOBER 20, 2004	DRAWING NO.
CHECK/DATE AG 10/8/04	FABRICATOR U.S. BRIDGE		SIDEWALK DETAILS

SHEET
5 OF 11
07435

NOTE: DRAWINGS RELATIVE DO NOT SCALE