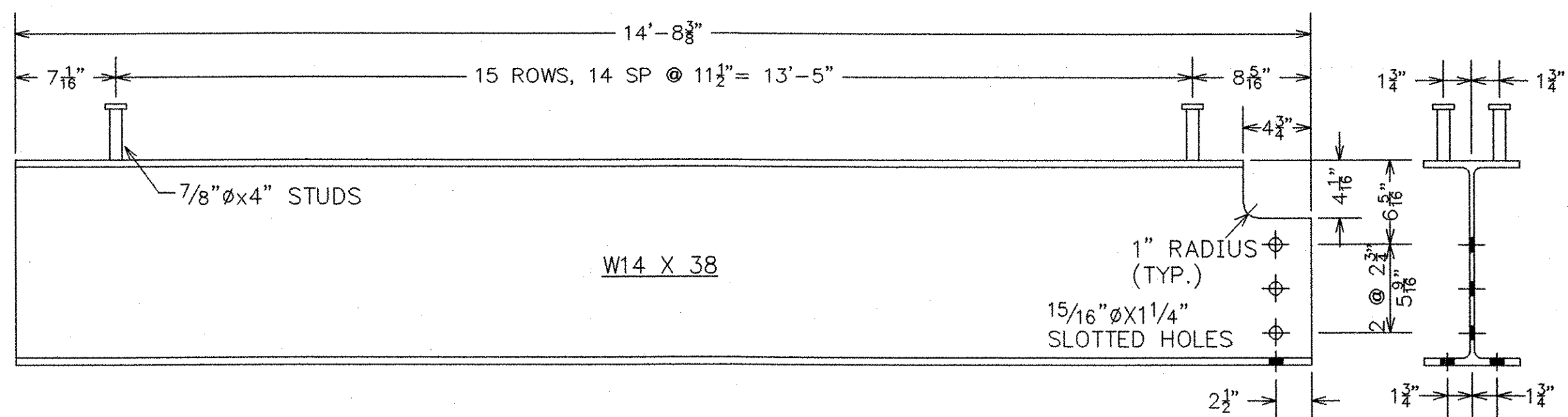


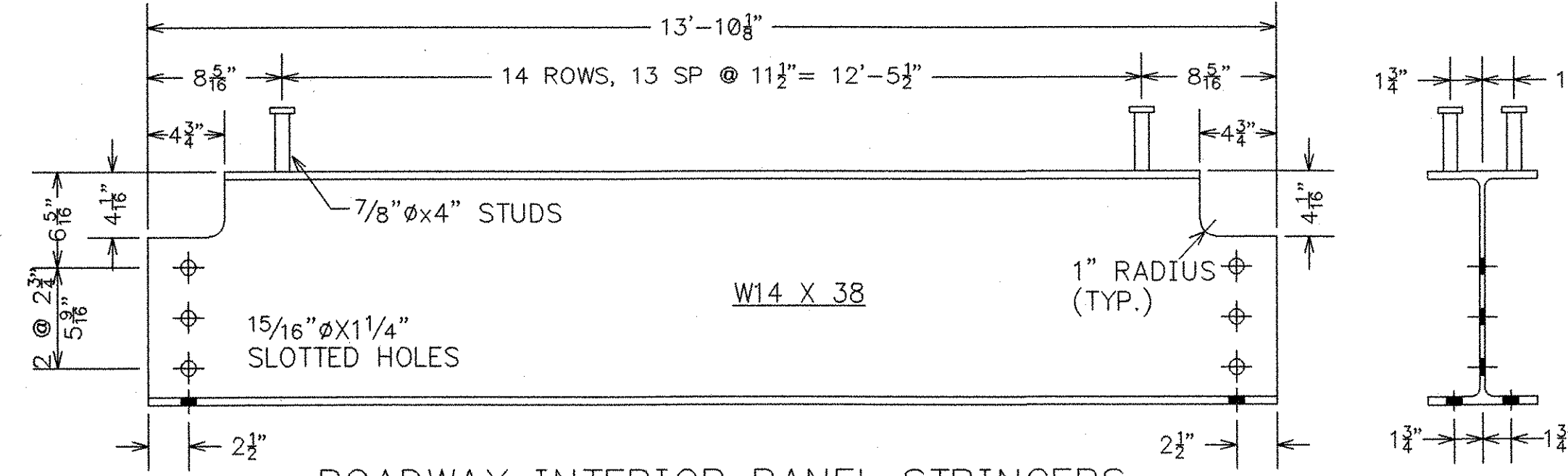
FLOOR BEAM A,B & C DETAIL

W27 X 102
7 REQ'D
GALVANIZED



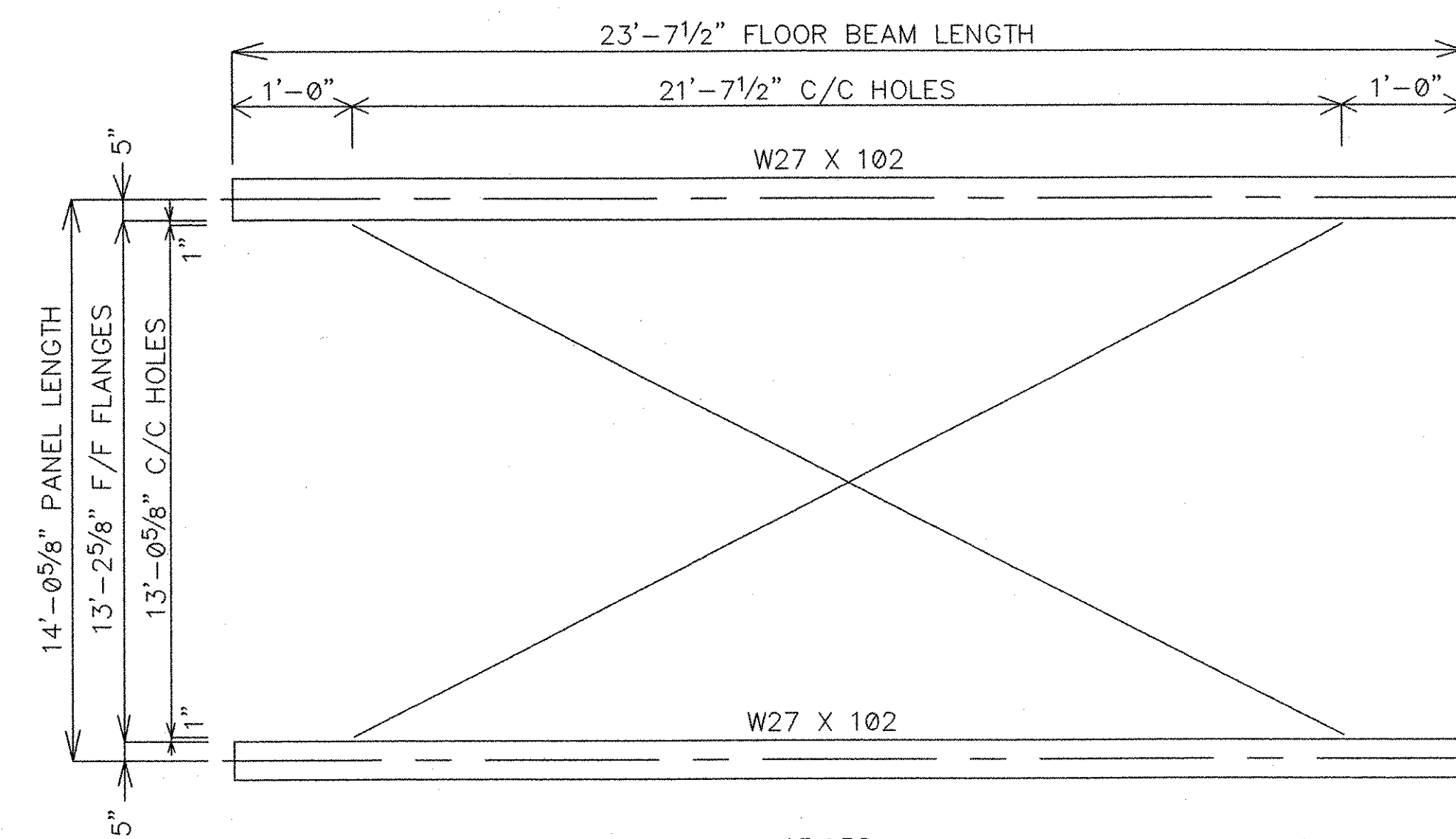
ROADWAY END PANEL STRINGERS

10 REQ'D
GALVANIZED



ROADWAY INTERIOR PANEL STRINGERS

30 REQ'D
GALVANIZED

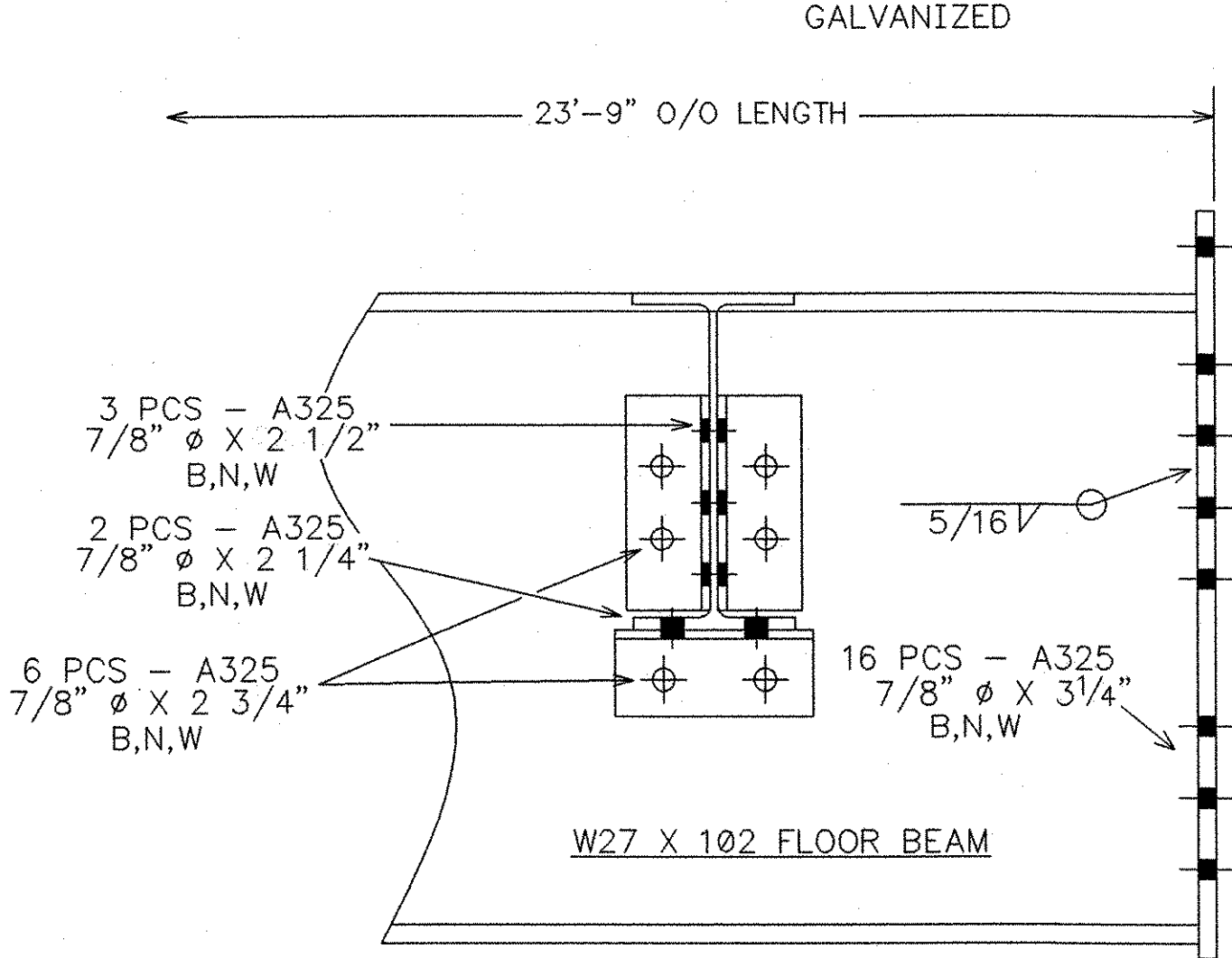


ANGLE CALC. = $\frac{13.052}{21.625} = 0.604 = 31.11 = 31'7"$

LENGTH CALC. = $\frac{21.625}{\cos 31.11} = 25.26' = 25'-3'1/8"$

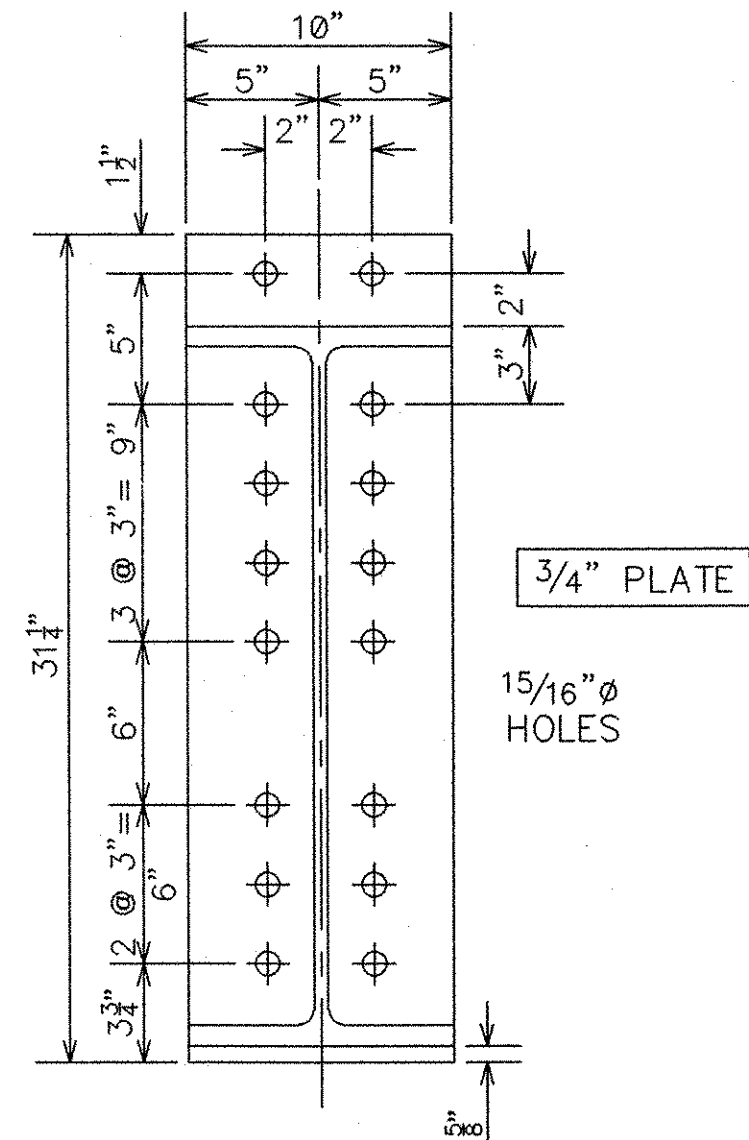
LATERAL ROD LENGTHS

GALVANIZED RODS
12 PCS - 1" ϕ X 25'-9" WITH 6" THREAD ON EACH END
4 PCS - 1" ϕ X 25'-11" WITH 6" THREAD ON EACH END



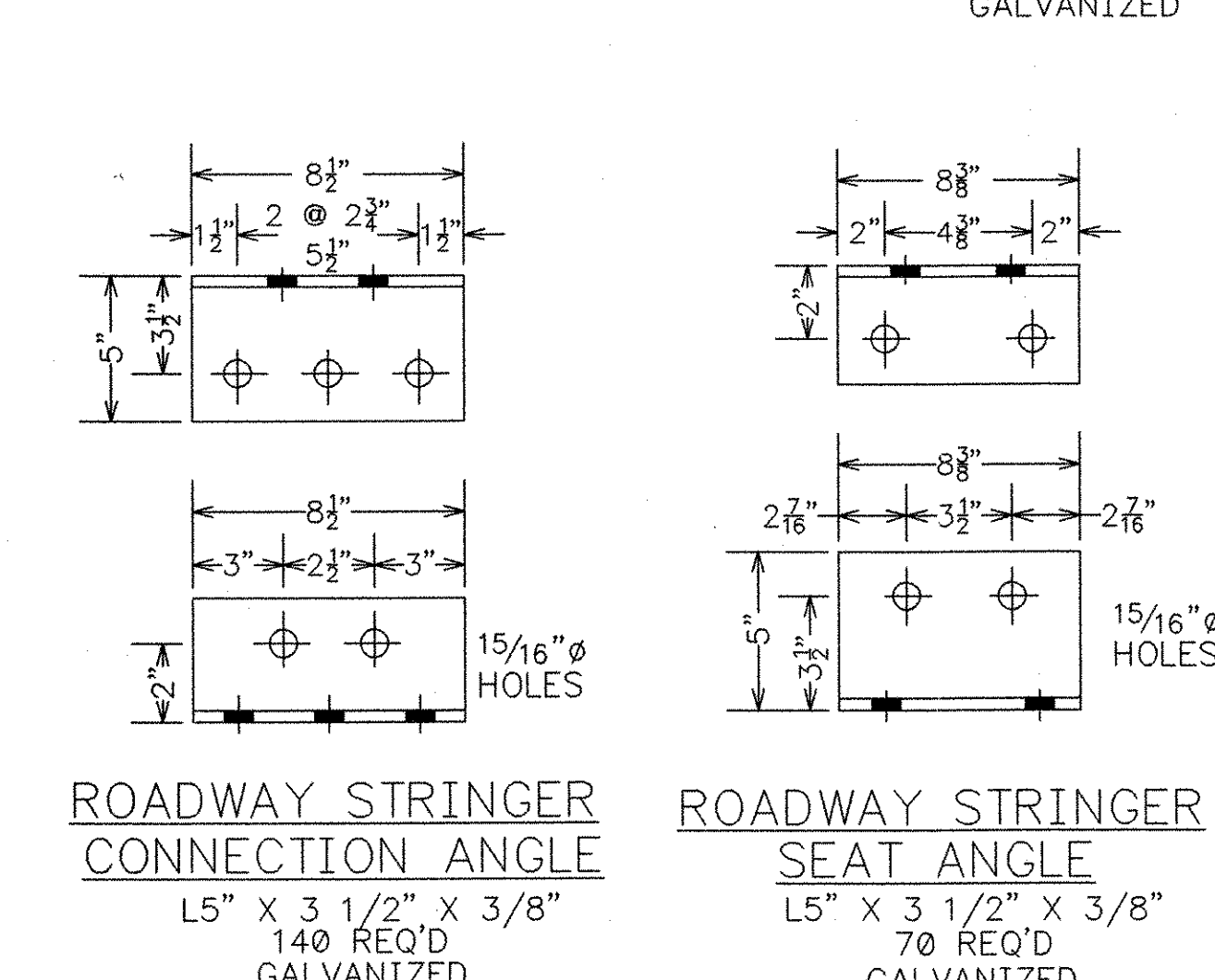
FLOOR BEAM END PLATE "A" DETAIL

4 REQ'D
GALVANIZED



FLOOR BEAM END PLATE "B" DETAIL

4 REQ'D
GALVANIZED

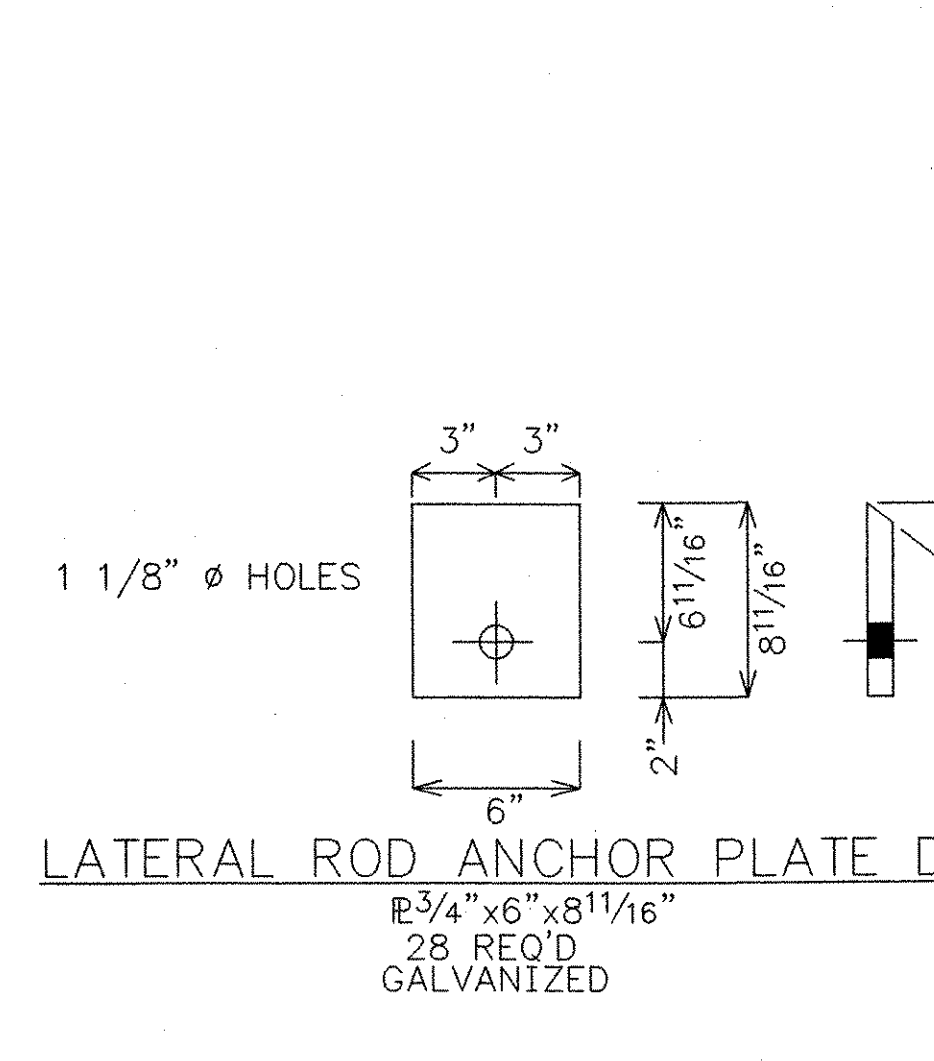


ROADWAY STRINGER CONNECTION ANGLE

L5 X 3 1/2 X 3/8
140 REQ'D
GALVANIZED

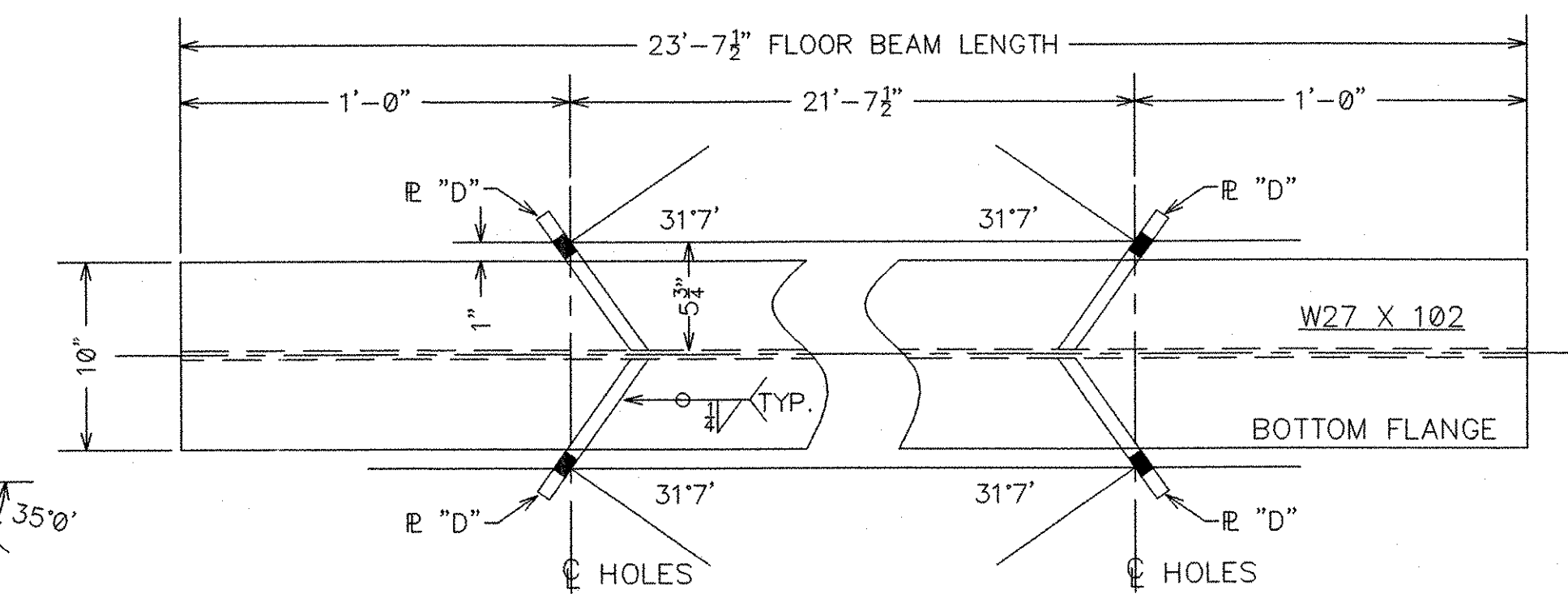
ROADWAY STRINGER SEAT ANGLE

L5 X 3 1/2 X 3/8
70 REQ'D
GALVANIZED

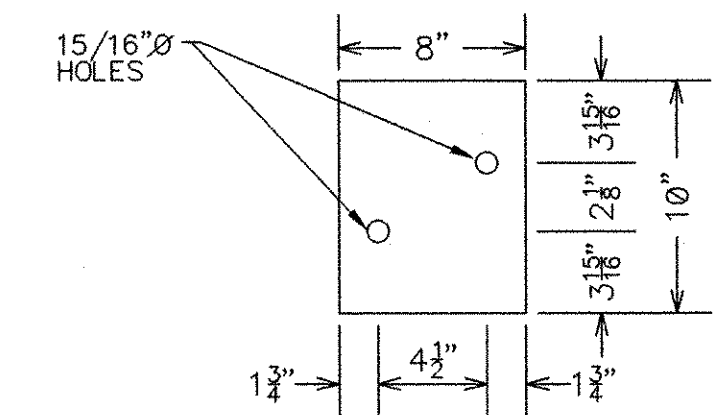


LATERAL ROD ANCHOR PLATE D

R3/4 X 6" X 8 1/16"
28 REQ'D
GALVANIZED

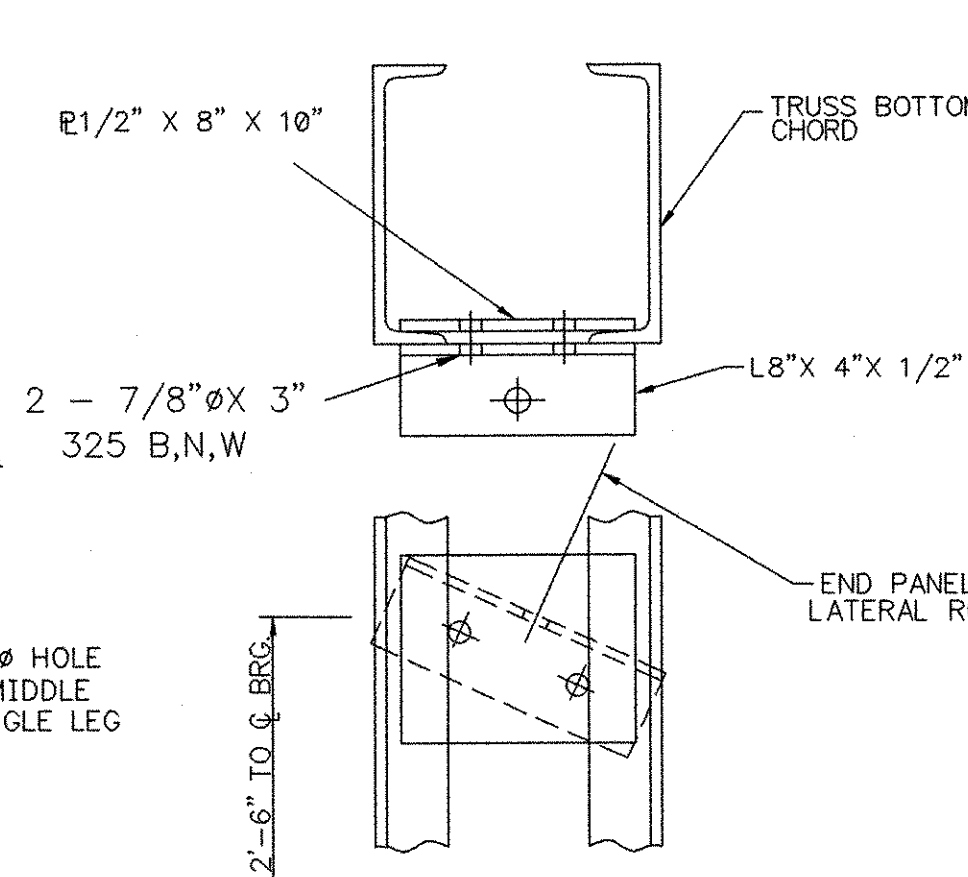


INTERIOR FLOORBEAM - LATERAL ROD ANCHOR LAYOUT

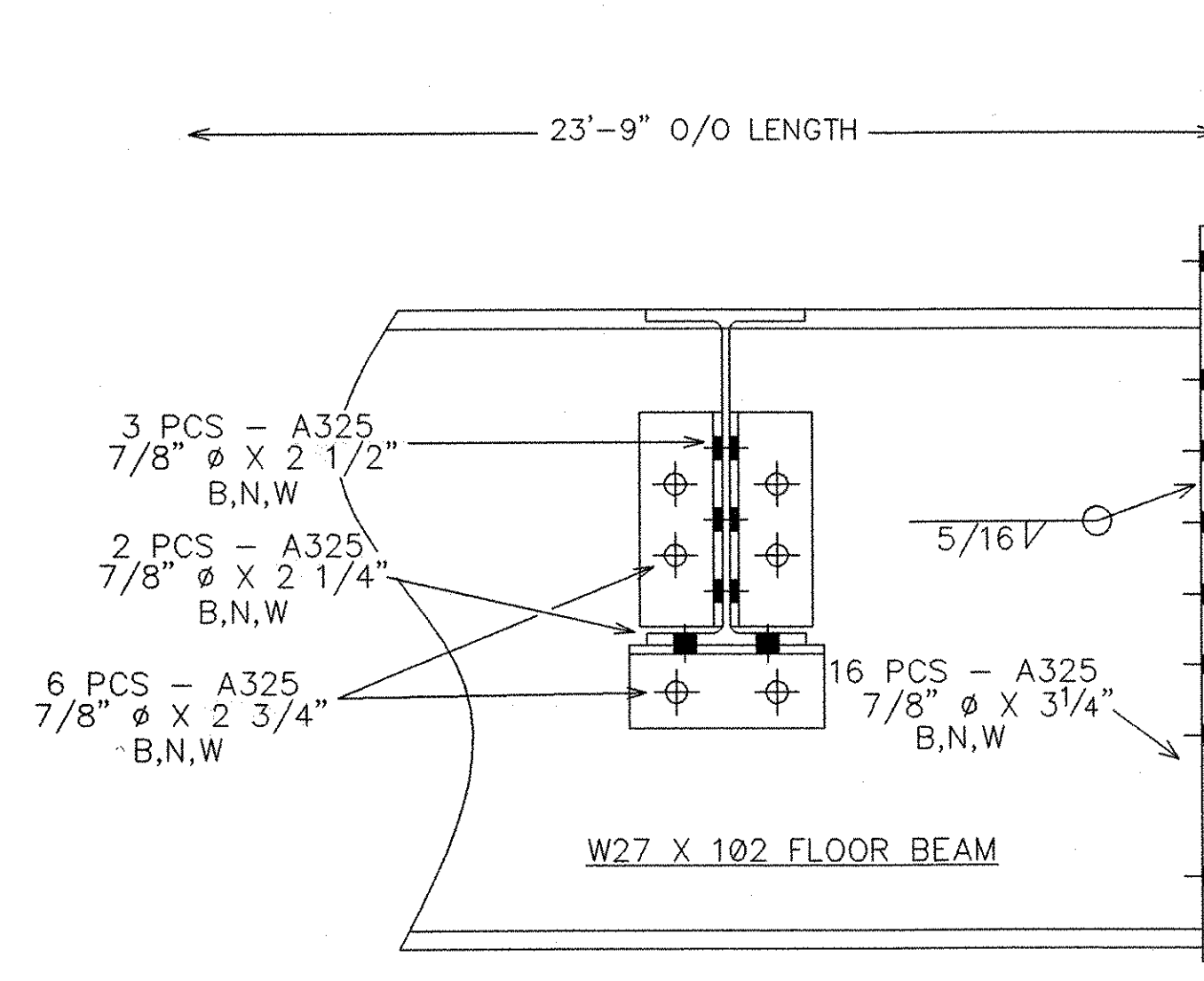


LATERAL ROD ANCHOR PLATE E

R1 1/2 X 8" X 10"
4 REQ'D

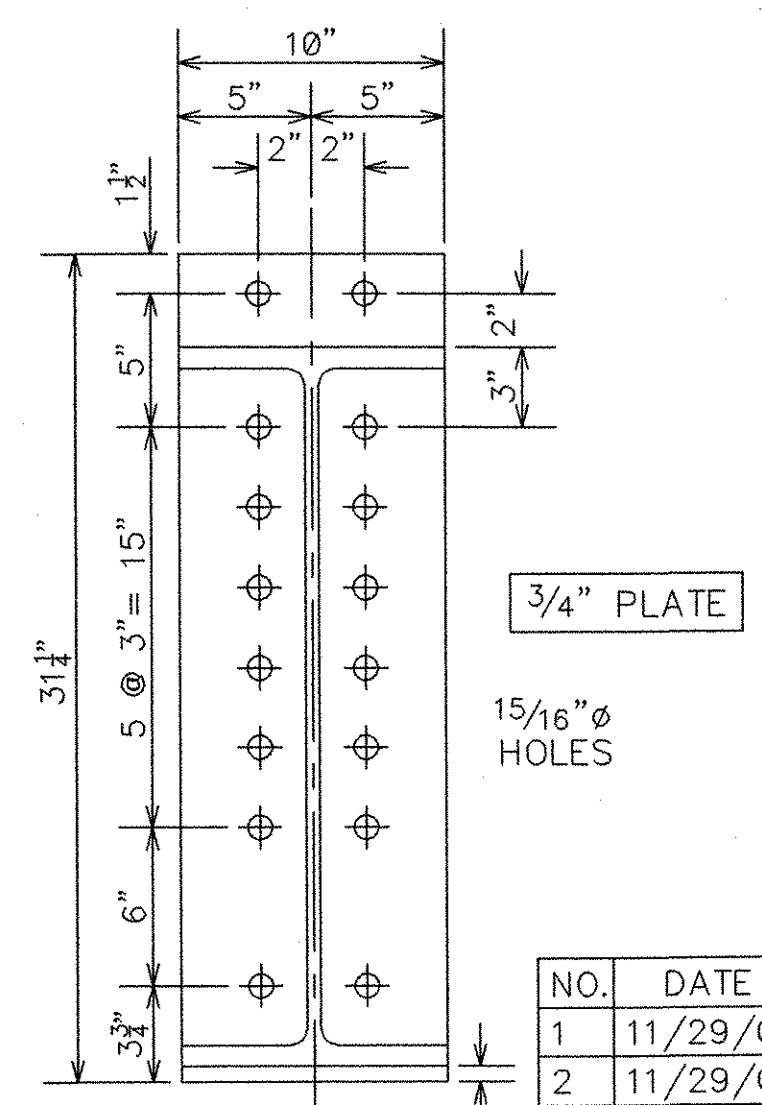


END PANEL LATERAL ROD ANCHOR DETAIL



FLOOR BEAM END PLATE "C" DETAIL

6 REQ'D
GALVANIZED



NOTE: DRAWINGS RELATIVE DO NOT SCALE

RECEIVED
NOV 13 2004
FABRICATOR: U.S. BRIDGE
201 WHEELING AVE.
P.O. BOX 757
CAMBRIDGE, OHIO 43725
1-888-872-7434

NO.	DATE	REVISIONS	BY
1	11/29/04	DIMENSIONS UPDATED	JEC
2	11/29/04	LATERAL ROD ANCHOR DETAIL UPDATED	JEC
3	11/29/04	WELD SYMBOLS REVISED	JEC

112'-5" TRUSS BRIDGE
GRANITE STREET
CITY OF BARRE
WASHINGTON COUNTY, VERMONT

21'-0" RDWY + 6' SW
PROJ. NO. HDP 9281(1)
BRIDGE # 11

DESIGN SAF	DRAWN JEC	DATE OCTOBER 20, 2004	DRAWING NO. FLOOR BEAM DETAILS	SHEET 3 OF 11 072 13
CHECK/DATE AG 10/8/04	FABRICATOR U.S. BRIDGE			