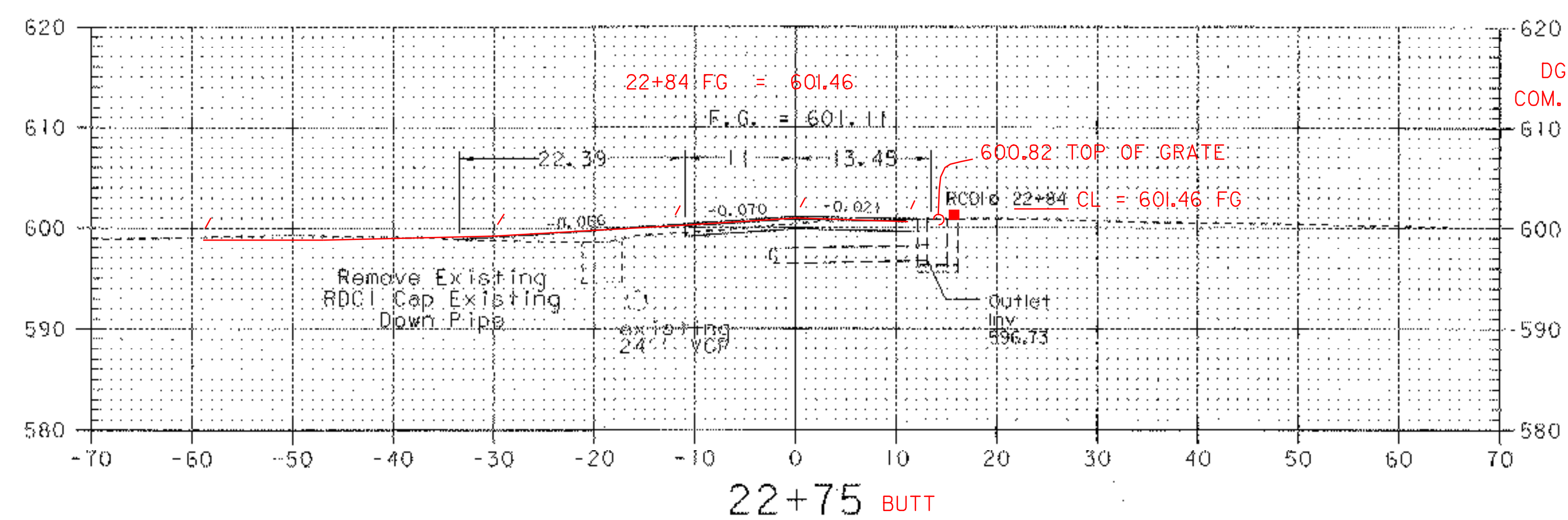
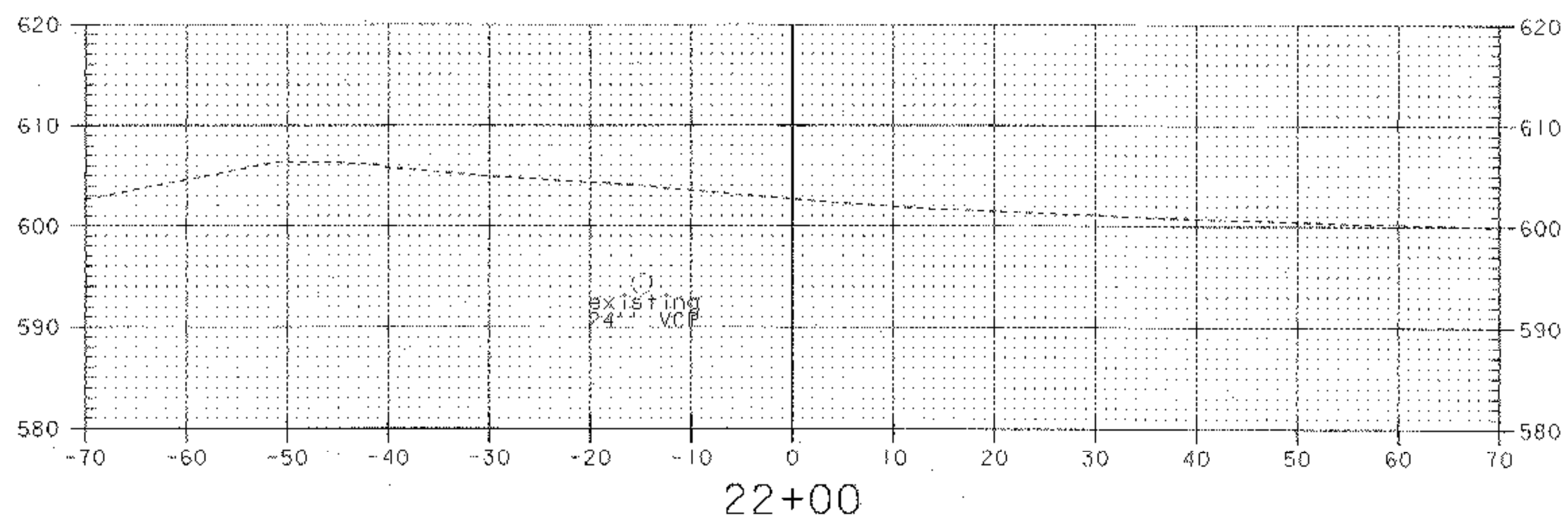
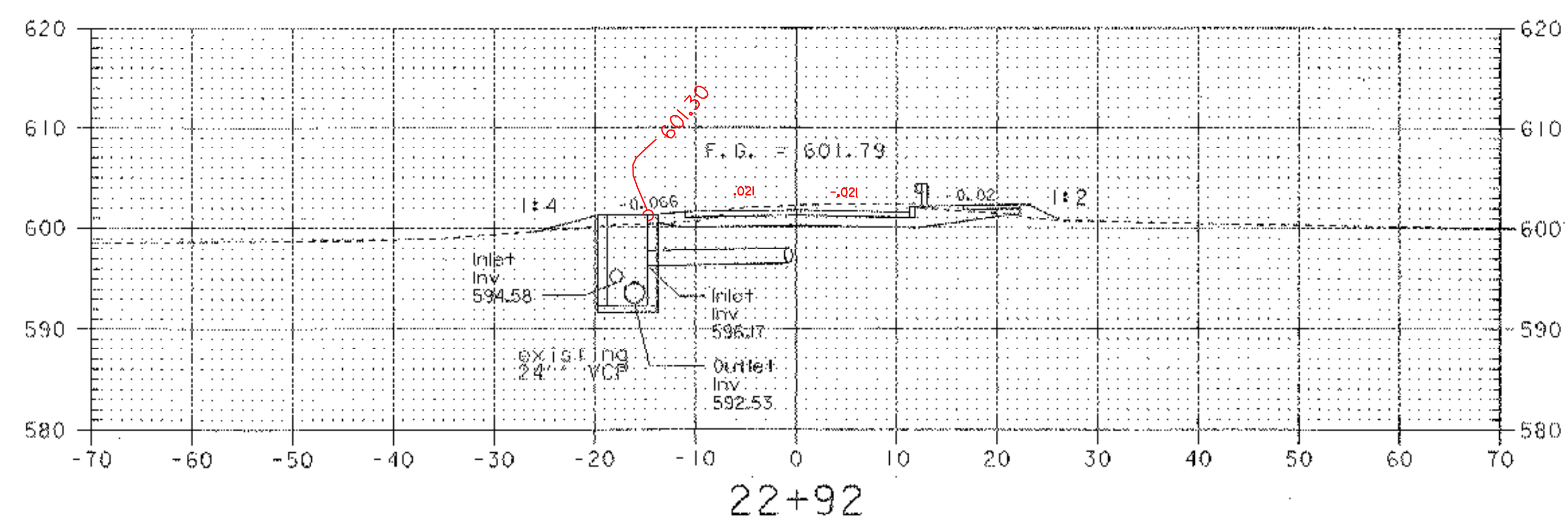
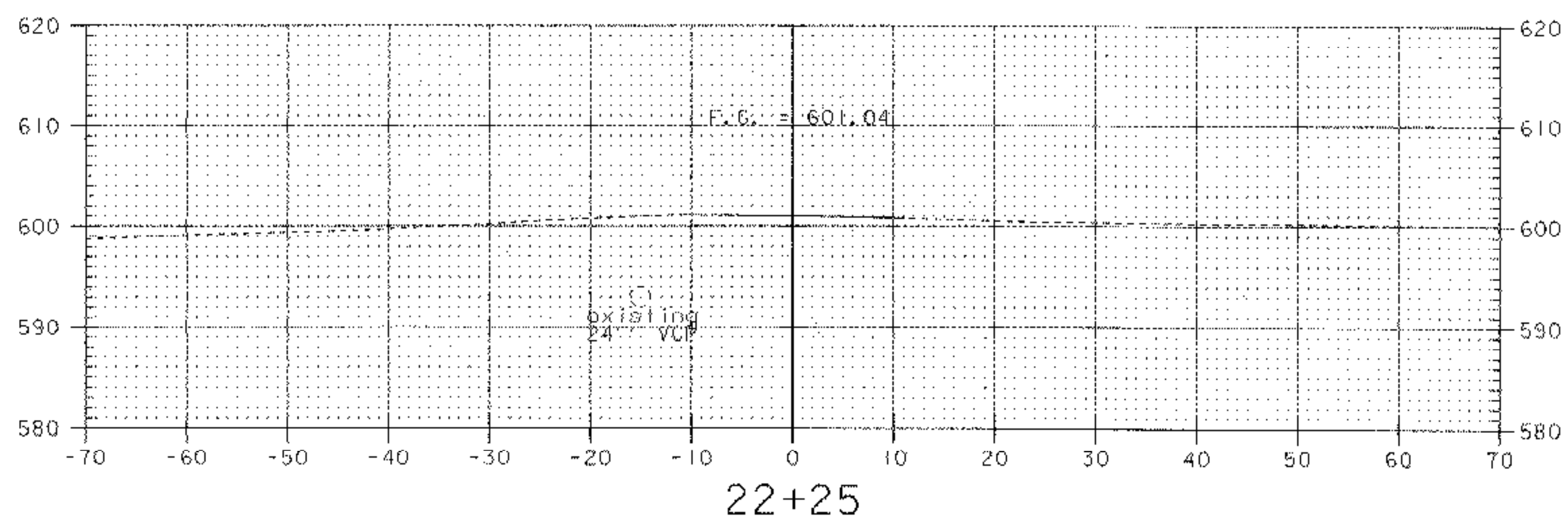


SDGCS 84
COM. EXC. 106



DGCS = 23
COM. EX. = 16

PLOTTED 12-12-05 D. LUND

**MAINLINE SECTIONS
22+00 - 23+00**

PROJECT NAME: BARRE CITY	PLOT DATE: 16-JUN-2004
PROJECT NUMBER: HDP 928(1)	DRAWN BY: K. RUTTER
FILE NAME: /str5/92j099/sj099wrk2.dgn	CHECKED BY: T.A. SUMNER
PROJECT LEADER: C. KELLER	SHEET 49 OF 58
DESIGNED BY: K. RUTTER	
sj099xsl1	