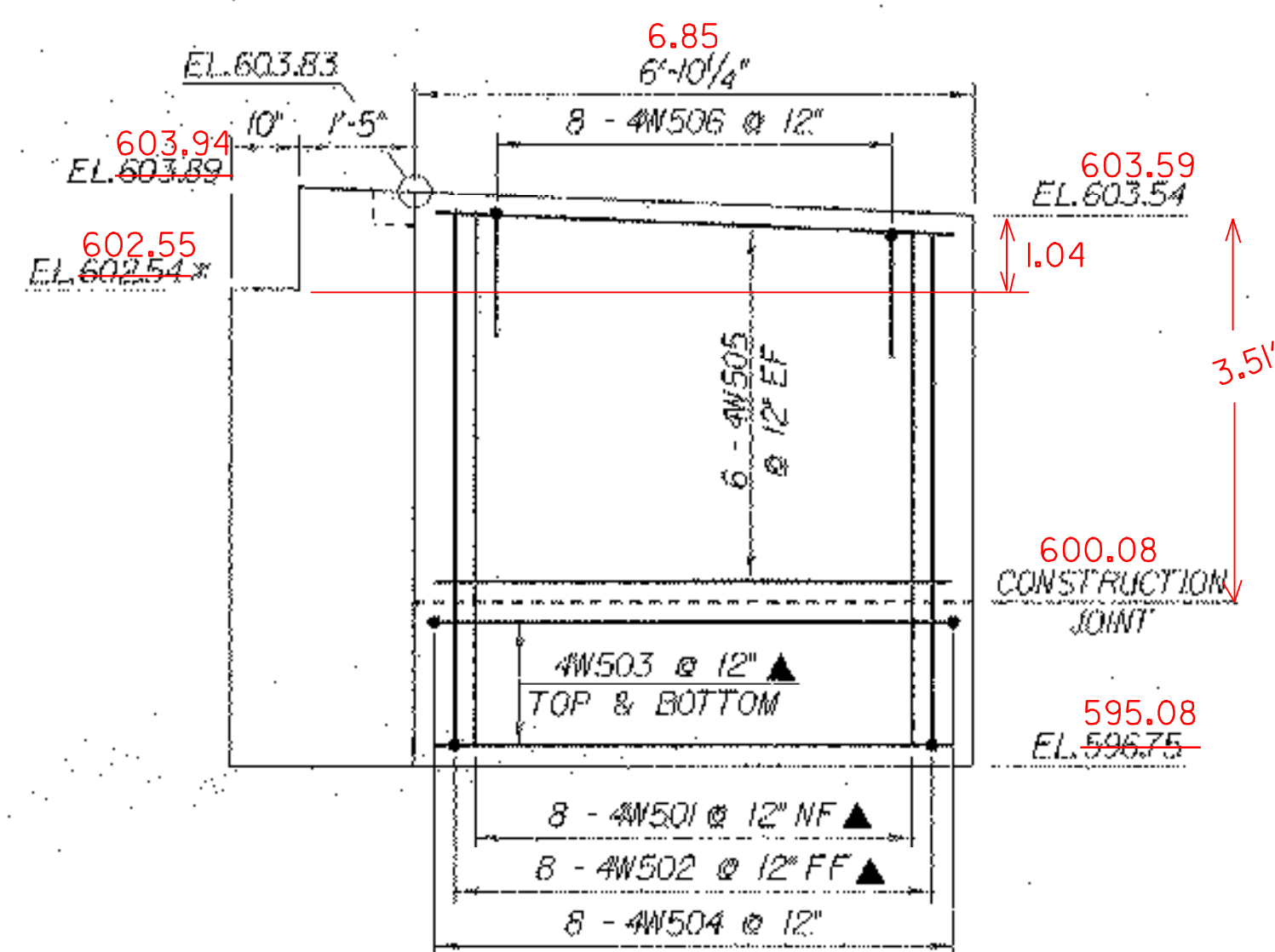


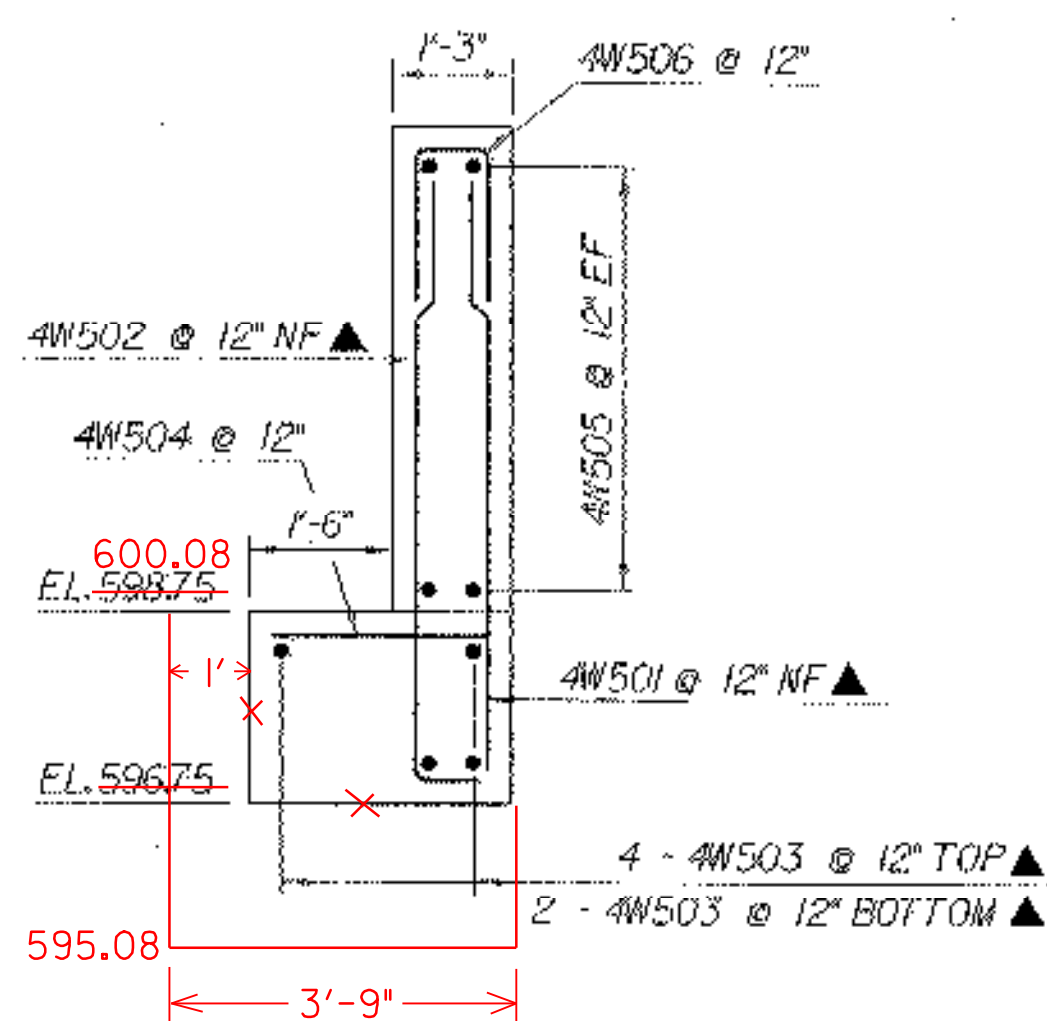
ABUTMENT NO.2 FOOTING REINFORCING PLAN

SCALE 3/8" = 1'-0"
1 0 1 2 3 4



WINGWALL NO.4 ELEVATION

SCALE 1/2" = 1'-0"
1 0 1 2

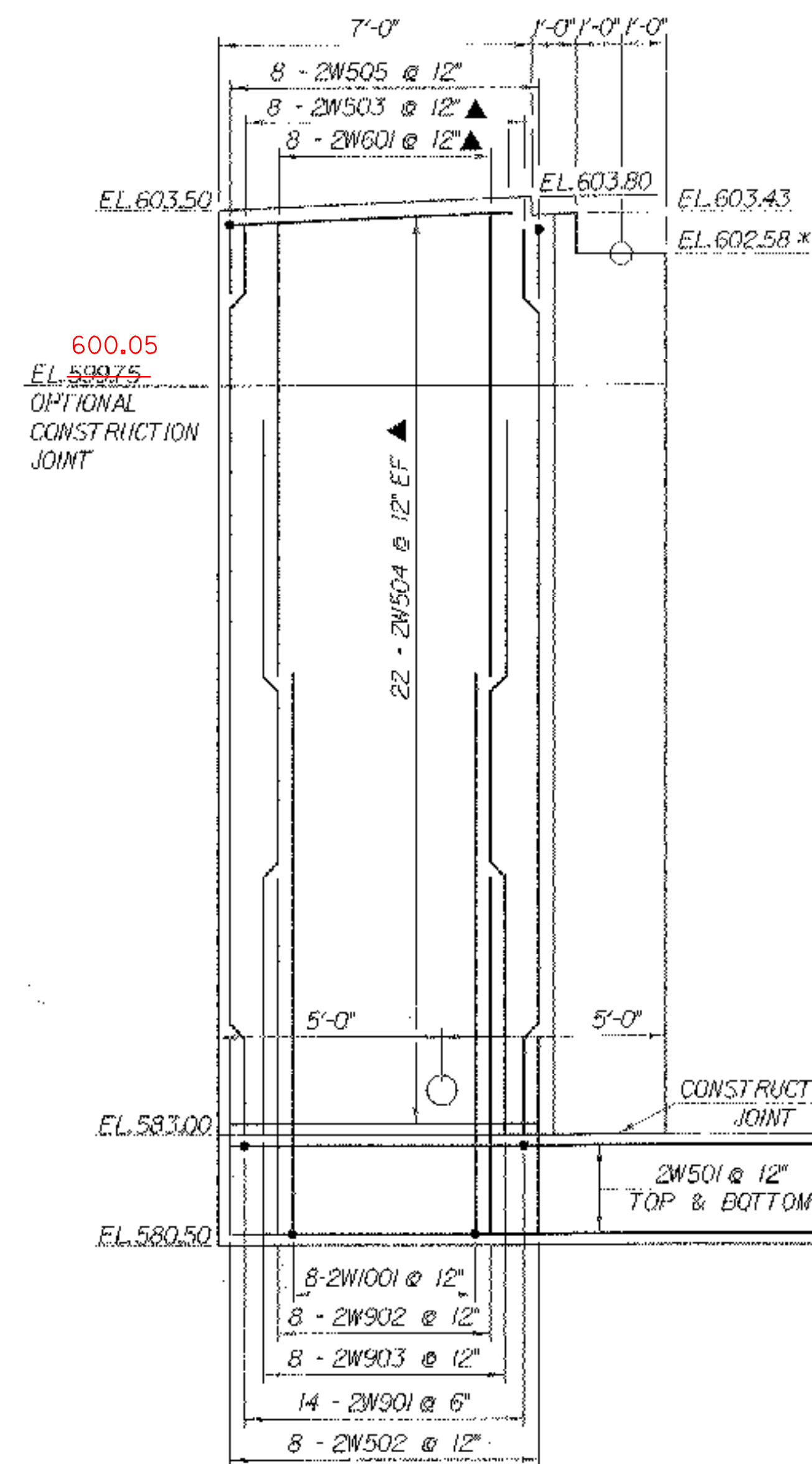


WINGWALL NO.4 TYPICAL

SCALE 1/2" = 1'-0"
1 0 1 2

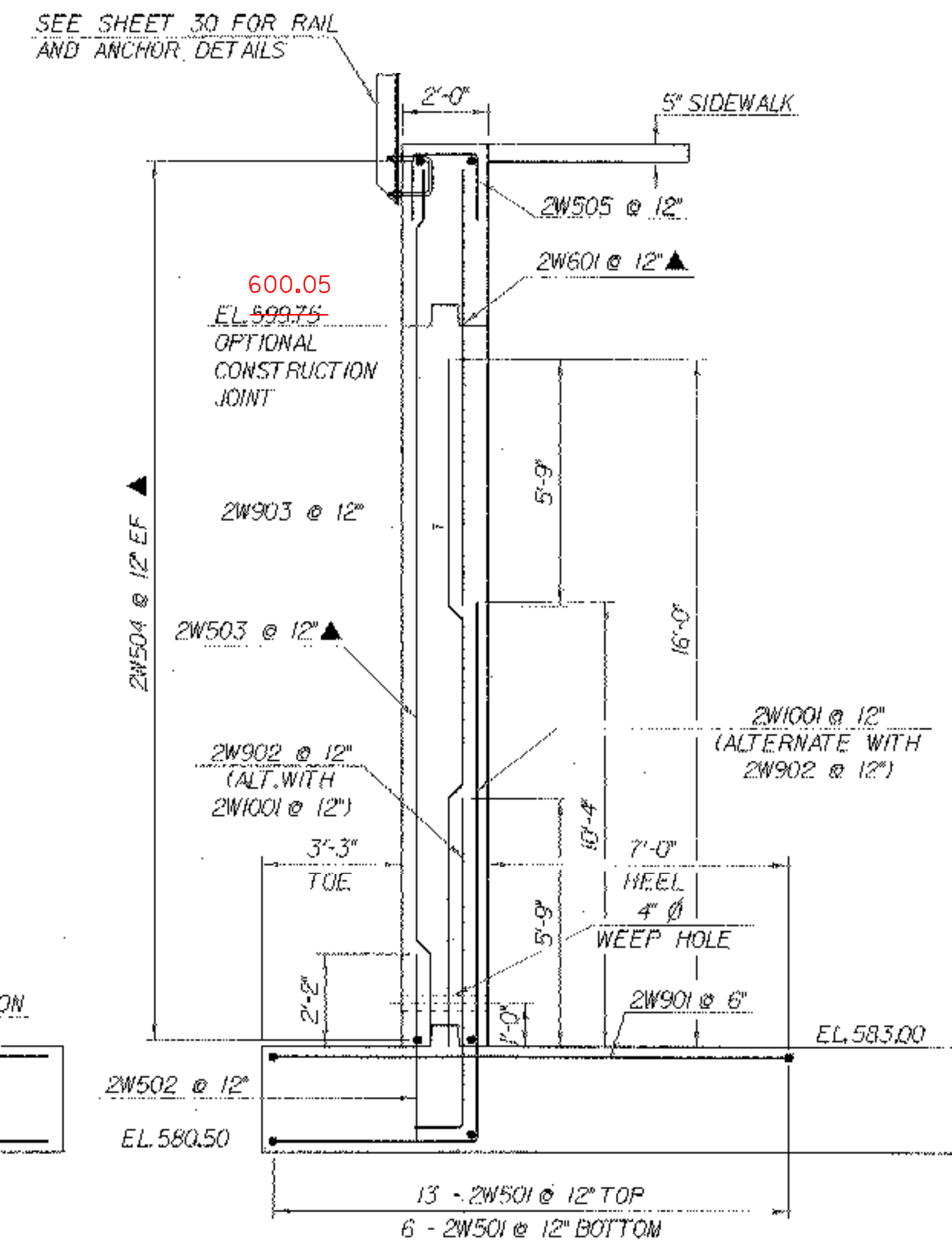
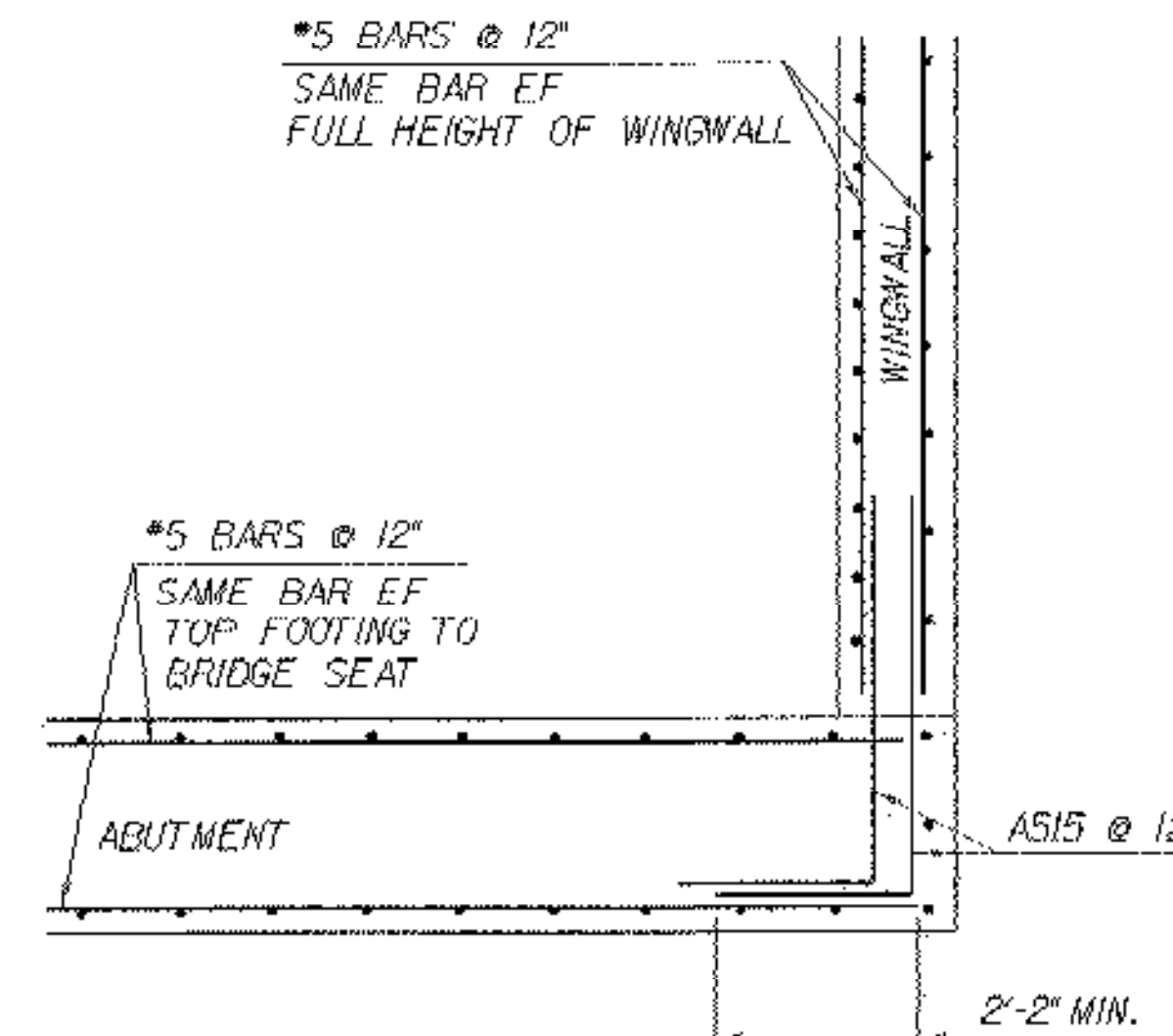
*THIS ELEVATION IS APPROXIMATE. ACTUAL ELEVATION TO BE DETERMINED BY TRUSS FABRICATOR.

WW# 4 AND
WW# 2 OPPOSITE HAND
CORNER DETAILS



WINGWALL NO.2 ELEVATION

SCALE 3/8" = 1'-0"
1 0 1 2 3 4



WINGWALL NO.2 TYPICAL

SCALE 3/8" = 1'-0"
1 0 1 2 3 4

NOTE:

- NF = NEAR FACE
- FF = FAR FACE
- EF = EACH FACE
- ▲ = CUT TO FIT IN FIELD
- 3" CLR. UNLESS OTHERWISE SPECIFIED ON THE PLANS.

ABUTMENT 2 DETAILS

PROJECT NAME: BARRE CITY	PLOT DATE: 16-JUN-2004
PROJECT NUMBER: HDP 9281(I)	DRAWN BY: K. RUTTER
FILE NAME: str5\92\099\sj099sub.dgn	CHECKED BY: T.A. SUMNER
PROJECT LEADER: C. KELLER	SHEET 44 OF 58
DESIGNED BY: K. RUTTER	
sj099ww.i	