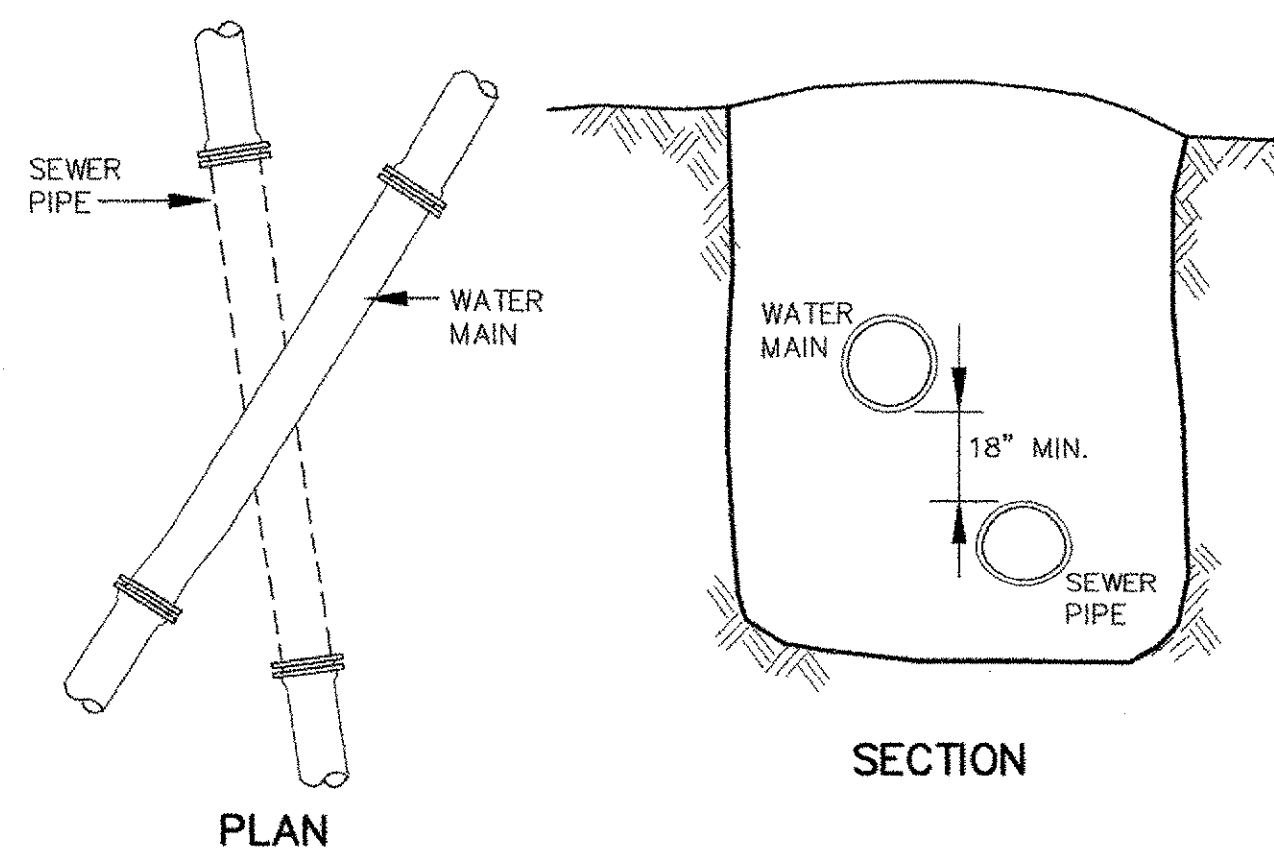


**PIPE SUPPORT DETAIL - PLAN VIEW**

NOT TO SCALE

**NOTES:**

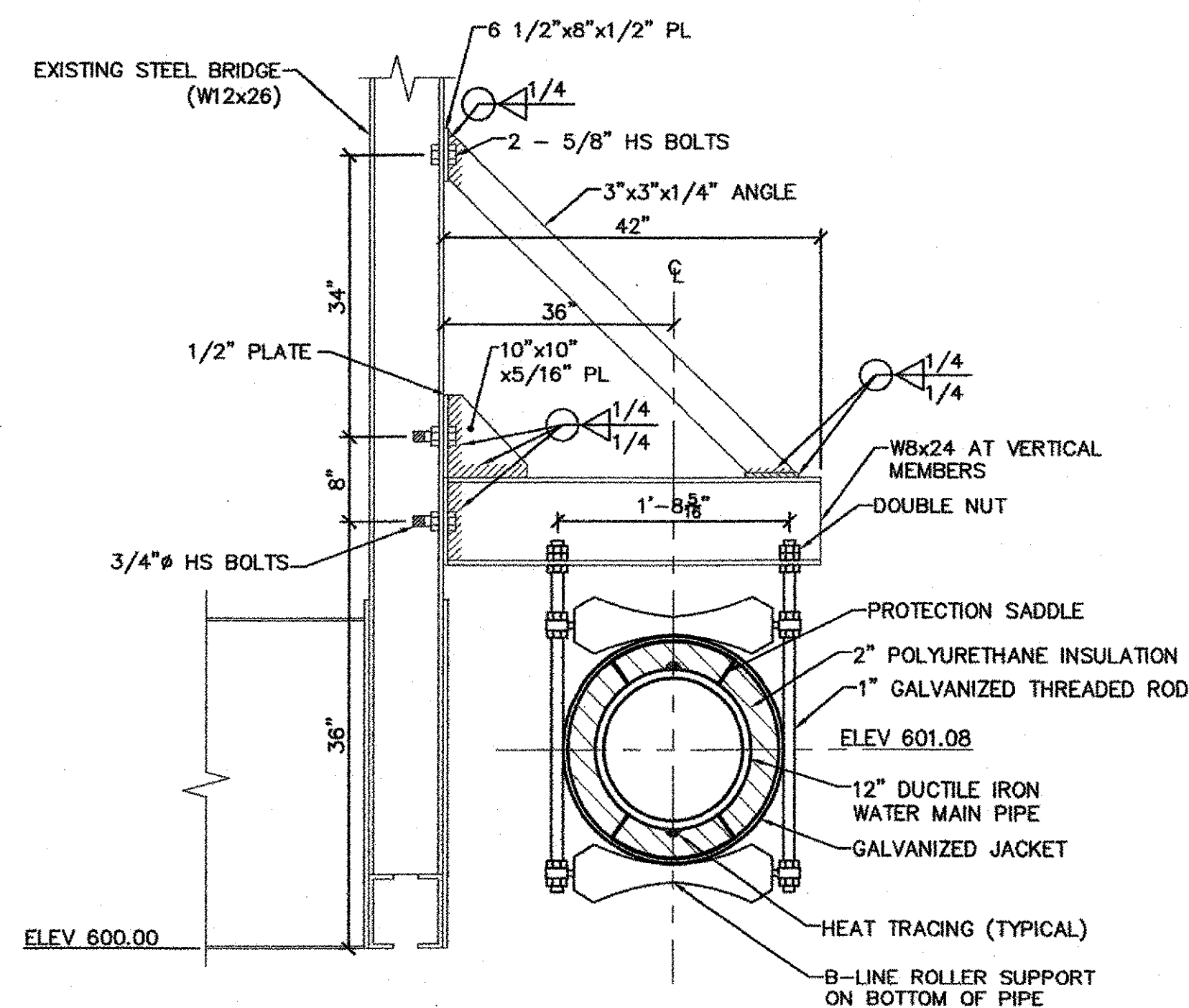
1. ALL BOLTS, NUTS AND WASHERS TO BE GALVANIZED.
2. ALL STEEL FABRICATIONS AND CASTINGS SHALL BE HOT DIPPED GALVANIZED.
3. ALL ALUMINUM SHALL BE ANNOZIDED BLACK.



1. **PARALLEL INSTALLATION:** WATER MAINS SHALL BE LAID AT LEAST 10 FEET HORIZONTALLY FROM ANY EXISTING OR PROPOSED MANHOLE OR SANITARY SEWER. THIS DISTANCE CAN BE REDUCED TO 5 FEET FOR STORM SEWERS. THE DISTANCE SHALL BE MEASURED EDGE TO EDGE.
2. **CROSSINGS:** WATER MAINS CROSSING SEWERS SHALL BE LAID TO PROVIDE A MINIMUM VERTICAL DISTANCE OF 18 INCHES BETWEEN THE OUTSIDE OF THE WATER MAIN AND THE OUTSIDE OF THE SEWER. THIS SHALL BE THE CASE WHERE THE WATER MAIN IS EITHER ABOVE OR BELOW THE SEWER. AT CROSSINGS, ONE FULL LENGTH OF WATER PIPE SHALL BE LOCATED SO BOTH JOINTS WILL BE AS FAR FROM THE SEWER AS POSSIBLE. IF THE SEWER MAIN IS OVER THE WATER MAIN, THE FIRST SEWER PIPE JOINTS ON EACH SIDE OF THE WATER MAIN MUST BE CONCRETE ENCASED. SPECIAL STRUCTURAL SUPPORT FOR THE WATER AND SEWER PIPES MAY BE REQUIRED. WATER MAINS SHALL NOT PASS THROUGH SEWER MANHOLES OR BE SUBMERGED IN BASINS CONTAINING SEWAGE OR OTHER GROSSLY CONTAMINATED OR HAZARDOUS MATERIAL.
3. **EXCEPTION:** THE SECRETARY MUST SPECIFICALLY APPROVE ANY VARIANCE FROM THESE REQUIREMENTS WHEN IT IS IMPOSSIBLE TO OBTAIN THE SPECIFIED SEPARATION DISTANCES.

**STORM SEWER OR SANITARY SEWER AND WATER MAIN CROSSING**

NOT TO SCALE

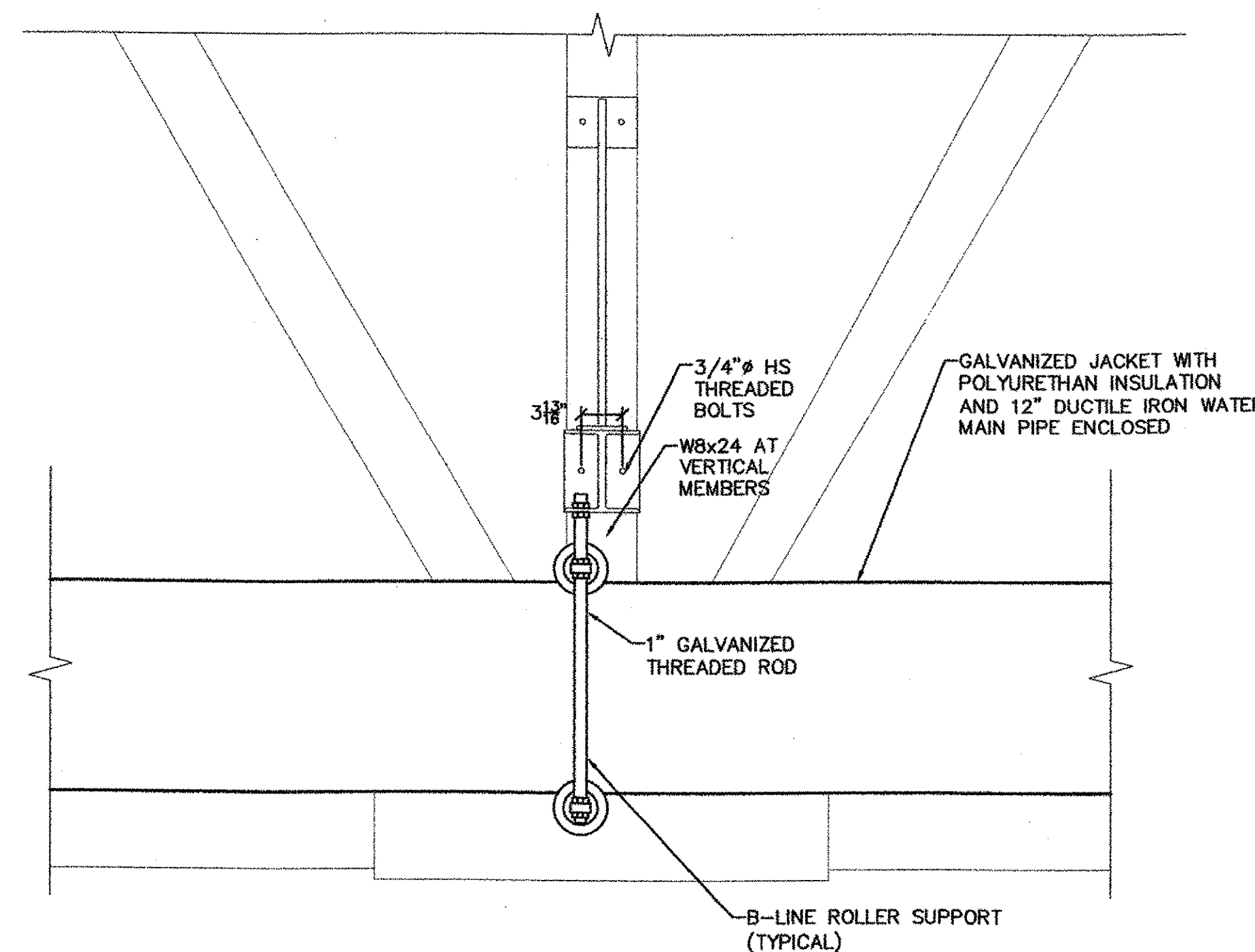


**PIPE SUPPORT DETAIL - SECTION VIEW**

NOT TO SCALE

**NOTES:**

1. ALL BOLTS, NUTS AND WASHERS TO BE GALVANIZED.
2. ALL STEEL FABRICATIONS AND CASTINGS SHALL BE HOT DIPPED GALVANIZED.
3. ALL ALUMINUM SHALL BE ANNOZIDED BLACK.



**PIPE SUPPORT DETAIL - ELEVATION VIEW**

NOT TO SCALE

**NOTES:**

1. ALL BOLTS, NUTS AND WASHERS TO BE GALVANIZED.
2. ALL STEEL FABRICATIONS AND CASTINGS SHALL BE HOT DIPPED GALVANIZED.
3. ALL ALUMINUM SHALL BE ANNOZIDED BLACK.

**FOR WATER LINE CONSTRUCTION ONLY**



**Dufresne & Associates, P.C.**  
 54 Main Street, P.O. Box B  
 Windsor, Vermont 05089  
 Tel: (802) 674-2904 Fax: (802) 674-2913  
 E-mail: dufresne@vermontel.net  
 Home page: http://www.dufresneassociates.com

PROJECT NAME: **GRANITE ST. BRIDGE, BARRE CITY, VT**  
 PROJECT NUMBER: **413025**  
 DRAWING NAME: GENERAL DETAILS PLOT DATE: 16-MAR-2004  
 PROJECT LEADER: J. PERRY DRAWN BY: E. EMMONS  
 DESIGNED BY: J. PERRY CHECKED BY: R. DUFRESNE  
 FILE NAME: 413025C4-DT SHEET 4 OF 5

