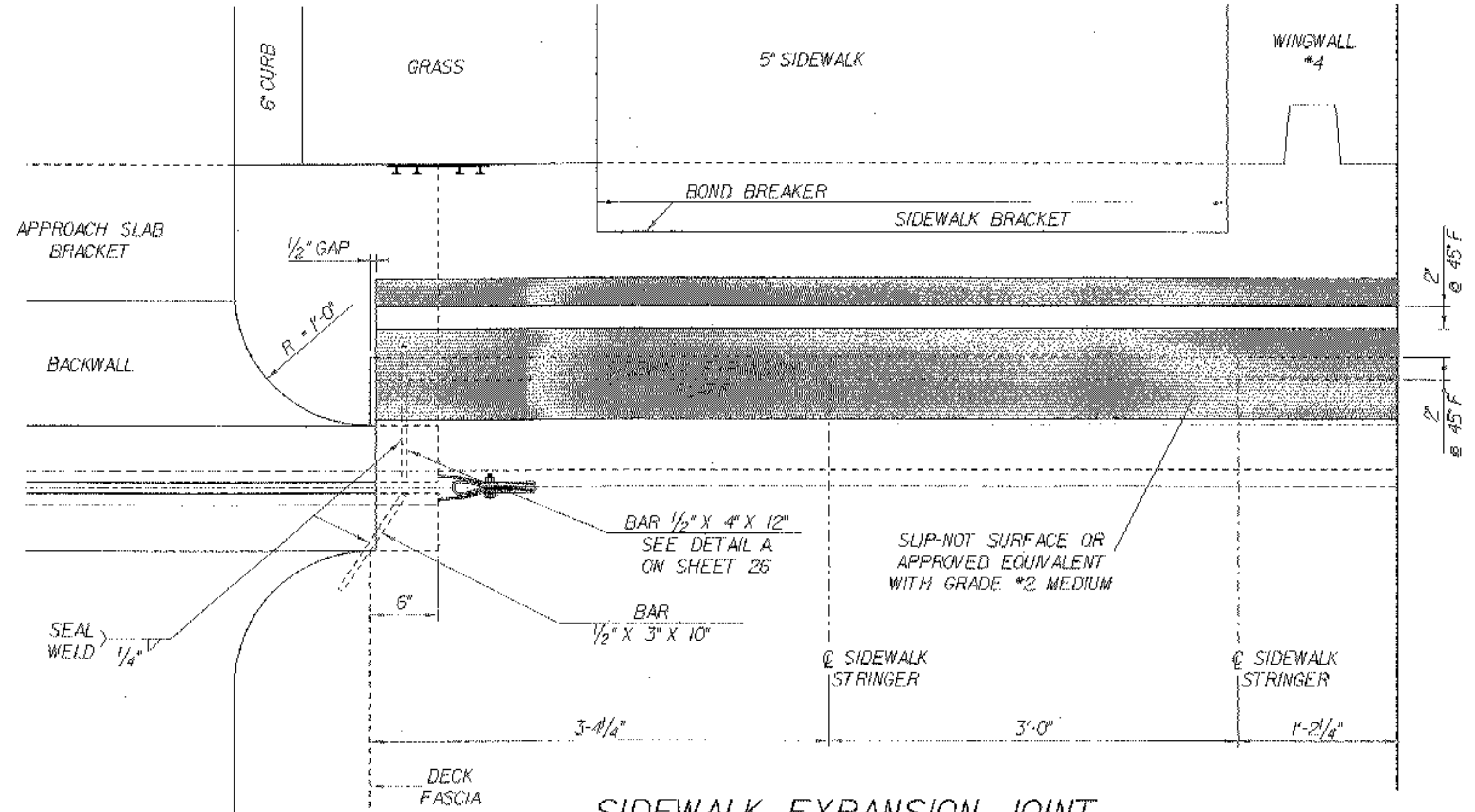


SIDEWALK EXPANSION JOINT

SCALE 3" = 1'-0"



SIDEWALK GRID FABRICATOR WILL ALSO BE RESPONSIBLE FOR THE SIDEWALK EXPANSION JOINT. FABRICATOR TO PROVIDE WELDING DETAILS FOR ATTACHING 3/2" X 3/2" X 1/2" ANGLE TO GRID, WELDING TO OCCUR BEFORE GALVANIZING GRID



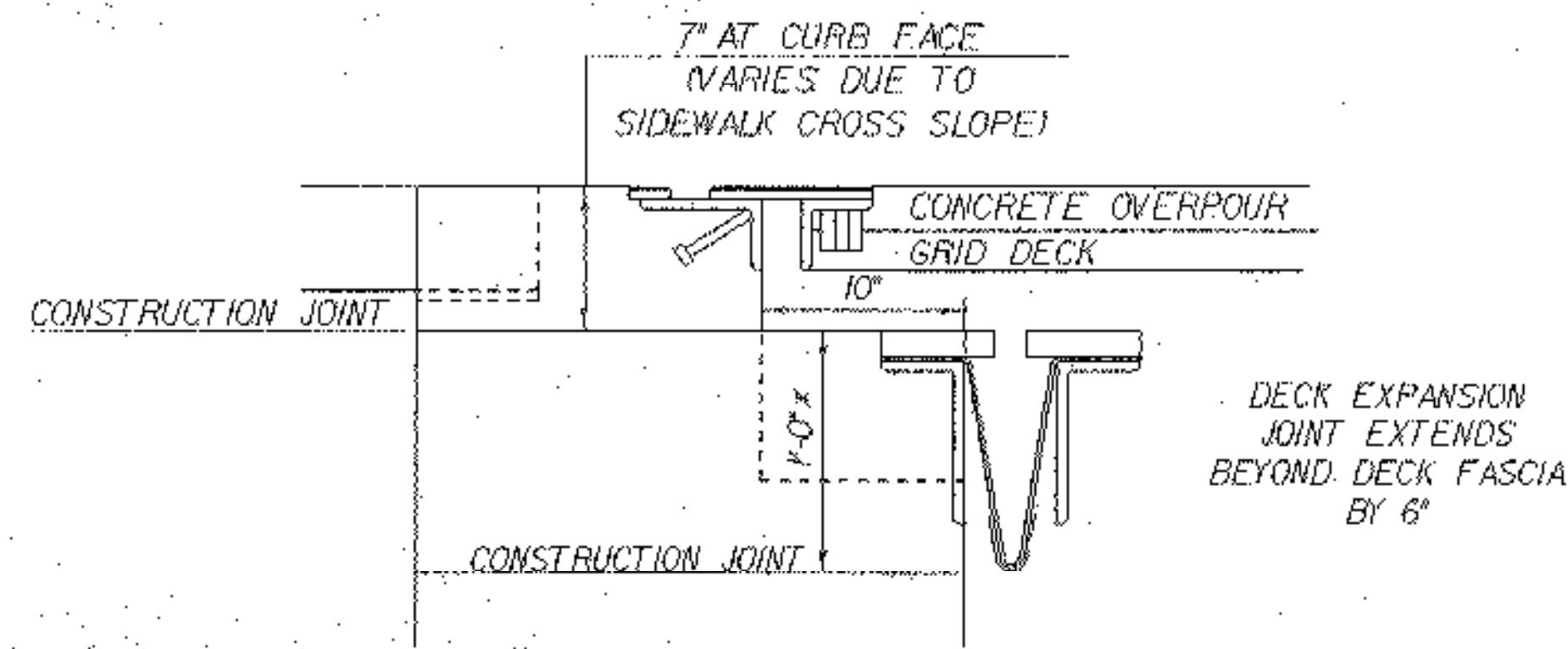
SIDEWALK EXPANSION JOINT

SCALE 1 1/2" = 1'-0"



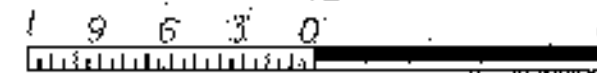
NOTES

1. THE COST OF MATERIALS AND FABRICATION FOR THE SIDEWALK EXPANSION JOINT ARE INCIDENTAL TO ITEM 506.75 "STRUCTURAL STEEL (MOD.- PRE-FAB.BRIDGE)".
2. THE TRUSS FABRICATOR WILL BE RESPONSIBLE FOR THE SIDEWALK EXPANSION JOINT. THE FABRICATOR IS TO PROVIDE WELDING DETAILS FOR ATTACHING 3/2" X 3/2" X 1/2" ANGLE TO GRID. WELDING TO OCCUR BEFORE GALVANIZING GRID.
3. ALL STEEL COMPONENTS SHALL BE AASHTO M270 GRADE 36 GALVANIZED OR METALIZED AS PER SUBSECTION 506.15.
4. THE SIDEWALK EXPANSION PLATES, BARS AND ANGLES SHALL BE SHOP ASSEMBLED.
5. THE FINAL FINISH OF THE EXPANSION JOINT SHALL BE COVERED DURING THE PLACING OF SIDEWALK AND CURB CONCRETE.
6. COAT CONCRETE CONTACT SURFACES WITH EPOXY BONDING COMPOUND MEETING THE REQUIREMENTS OF SUBSECTION 719.02. PAYMENT SHALL BE INCLUDED IN THE UNTIL BID PRICE FOR ITEM 506.75 "STRUCTURAL STEEL (MOD. PRE-FAB. BRIDGE)".

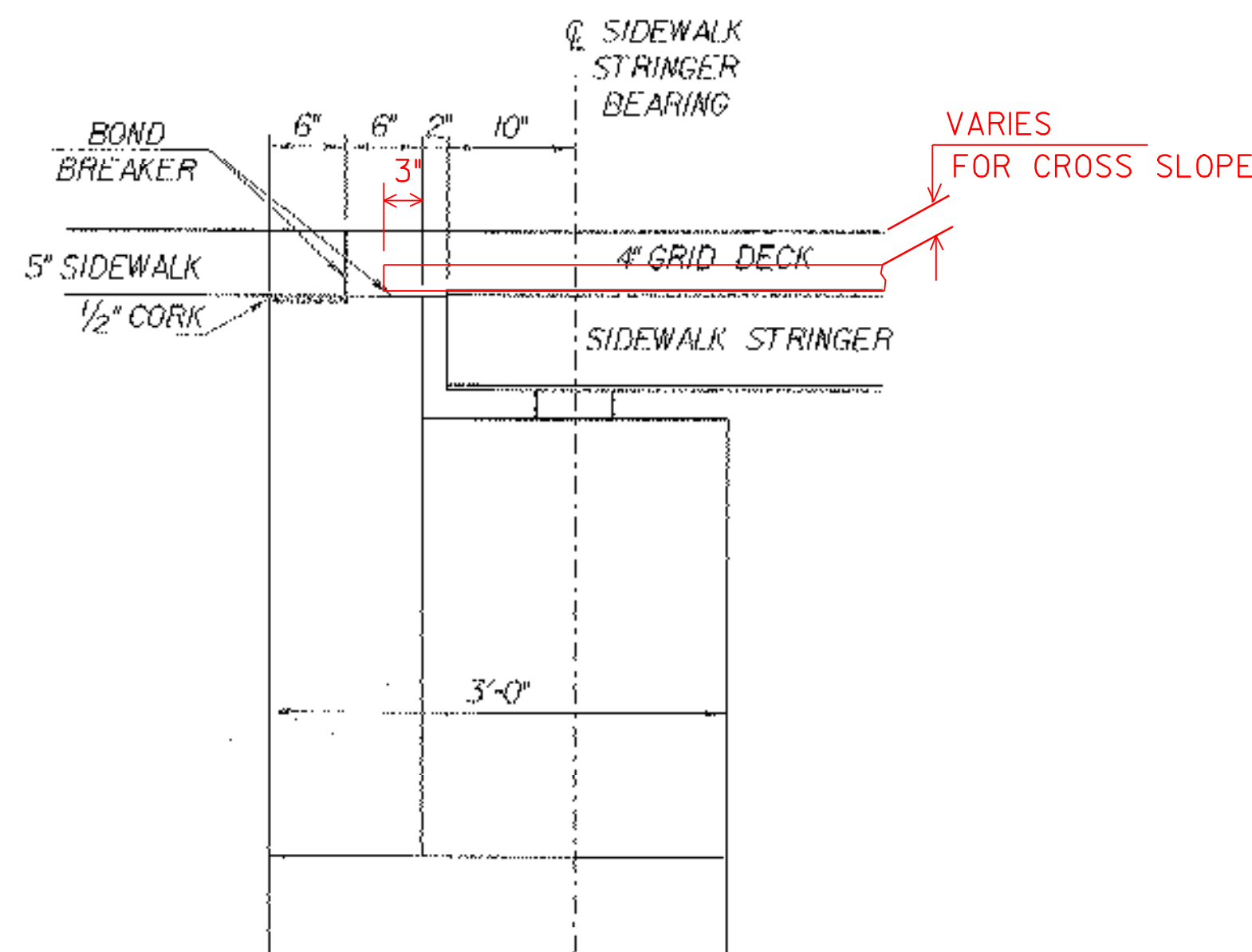


**ABUTMENT #2
SIDEWALK AND DECK
EXPANSION JOINT OVERLAP**

SCALE 1 1/2" = 1'-0"

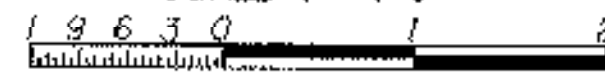


*THESE DIMENSIONS ARE THEORETICAL AND MAY CHANGE DEPENDING UPON THE OUTCOME OF THE BEAM PROFILES.



SIDEWALK FIXED END

SCALE 1" = 1'-0"



SIDEWALK EXPANSION JOINT DETAILS

PROJECT NAME:	BARRE CITY	PLOT DATE:	16-JUN-2004
PROJECT NUMBER:	HDP 9281(I)	DRAWN BY:	K. RUTTER
FILE NAME:	str-5/92/099/ej099exp.dgn	CHECKED BY:	T.A. SUMNER
PROJECT LEADER:	C. KELLER	SHEET	28 OF 58
DESIGNED BY:	K. RUTTER		
sj099expjdet			