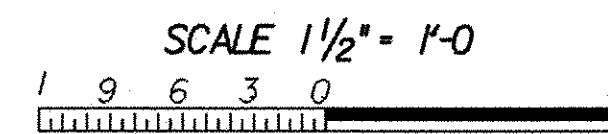
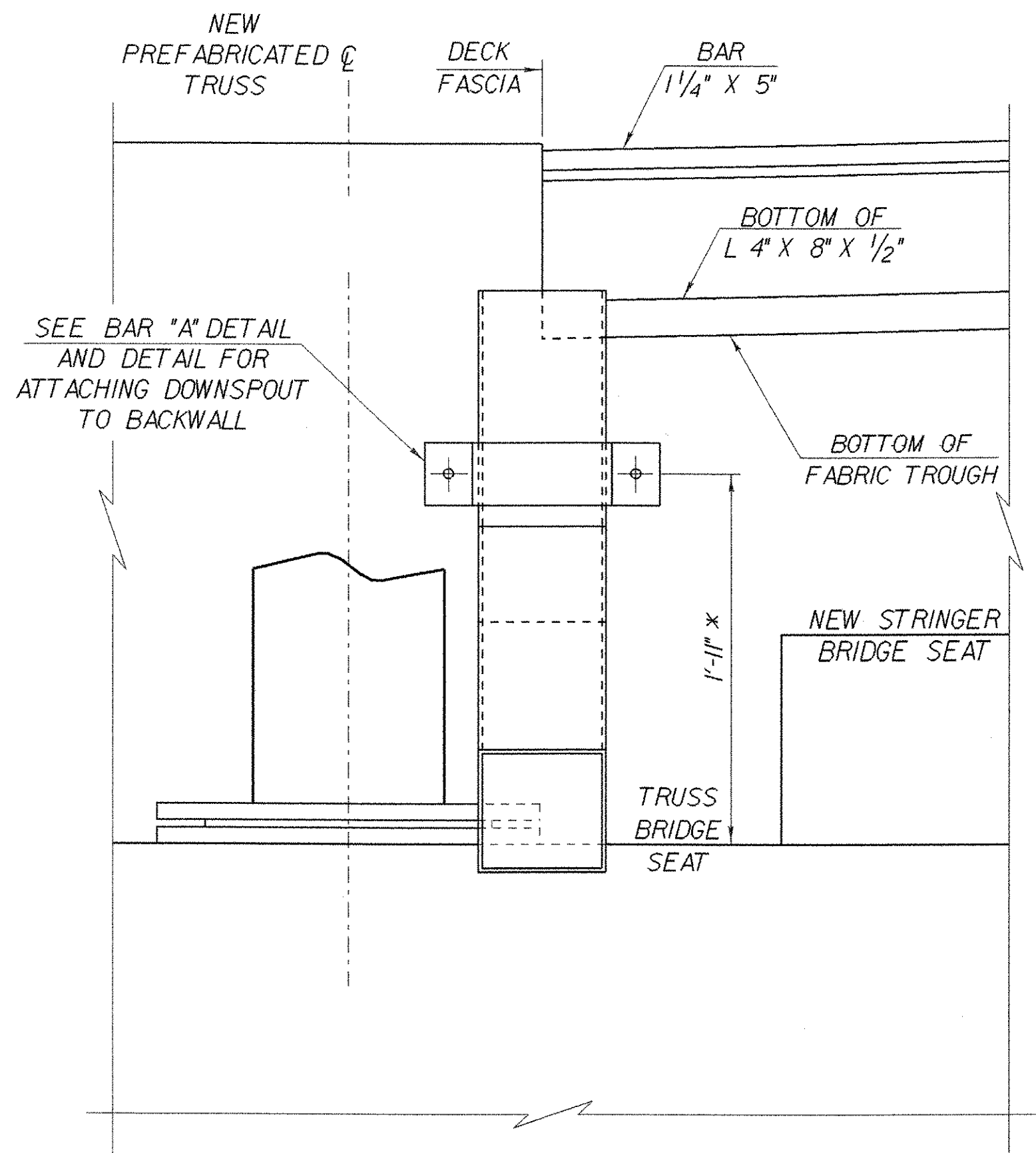


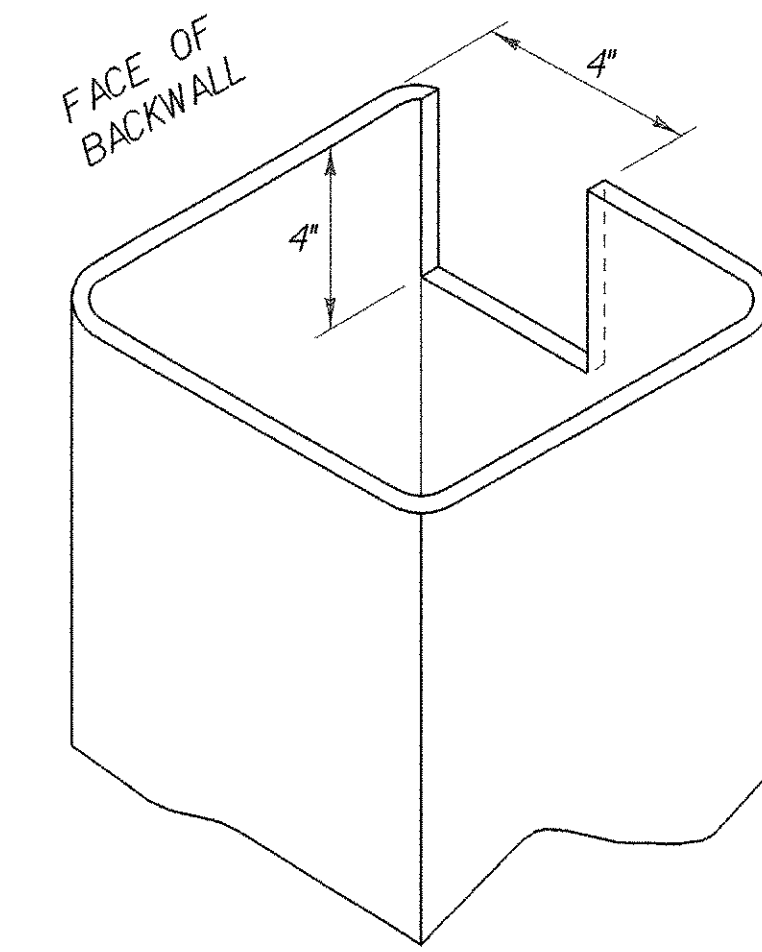
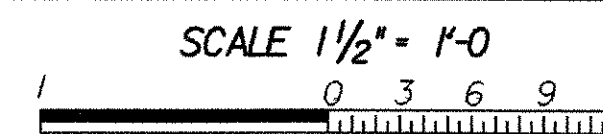
**DOWNSPOUT SIDE ELEVATION**



\*THIS DIMENSION MAY BE ADJUSTED IN ORDER TO INSURE THAT THE  
DOWNSPOUT RESTS ON TOP OF THE ABUTMENT CAP.

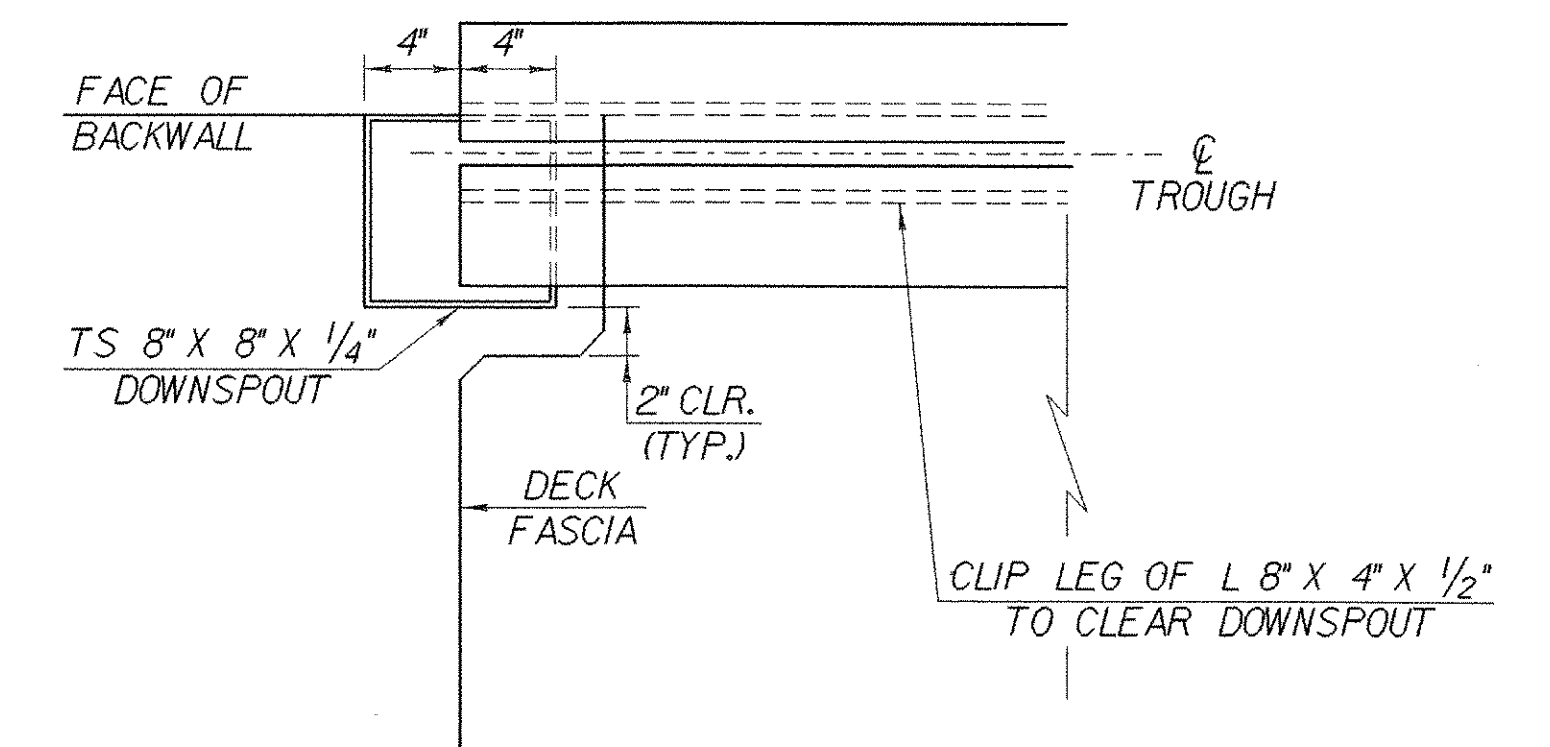


**DOWNSPOUT FRONT ELEVATION**

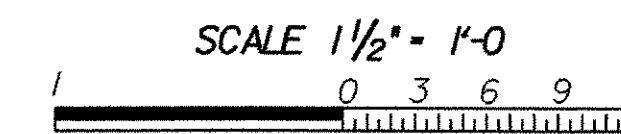


**DOWNSPOUT CUTOUT  
FOR TROUGH**

NTS

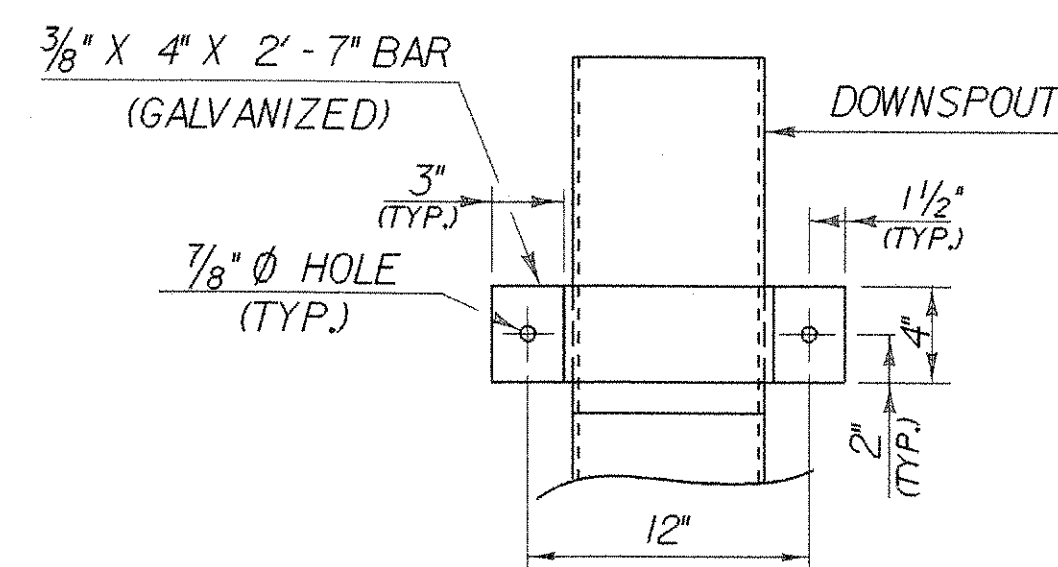


**PLAN VIEW OF DECK BOXOUT  
FOR DOWNSPOUT**

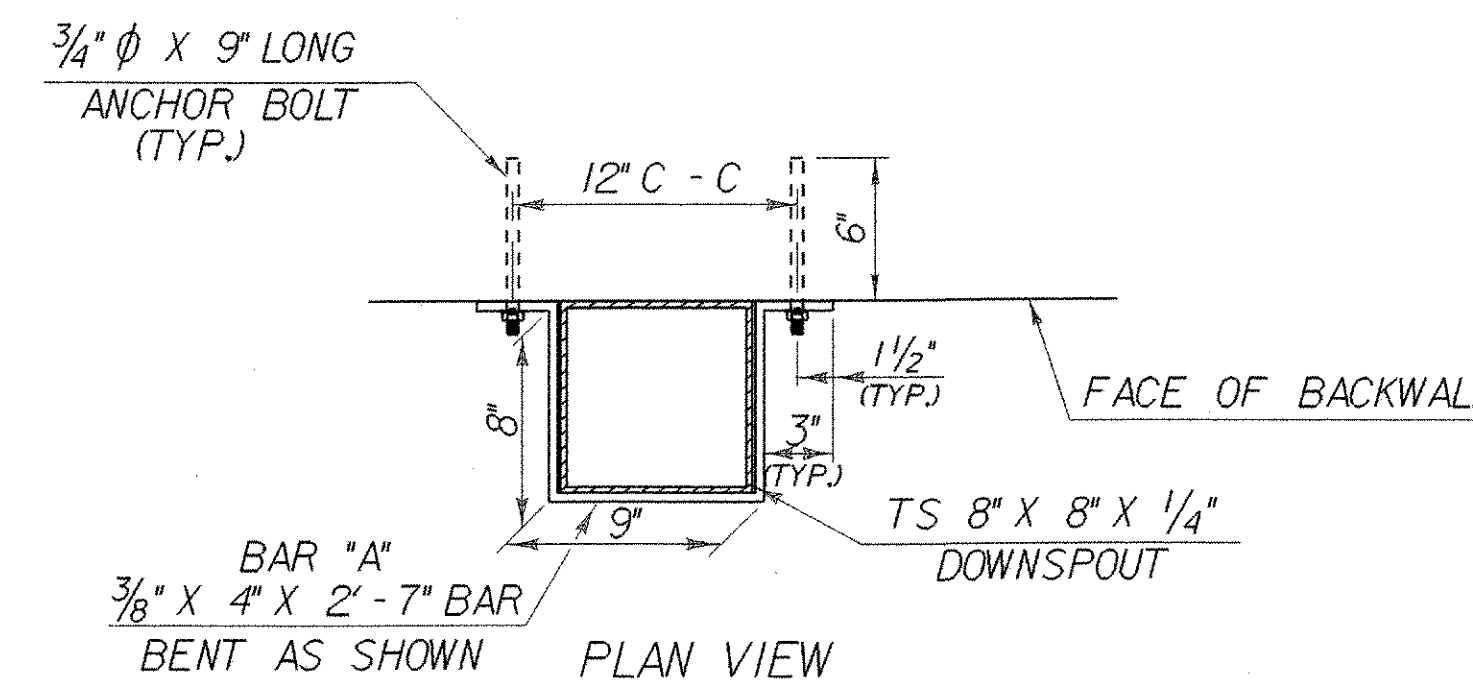
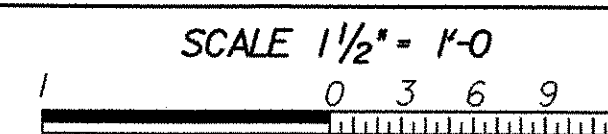


**DOWNSPOUT NOTES**

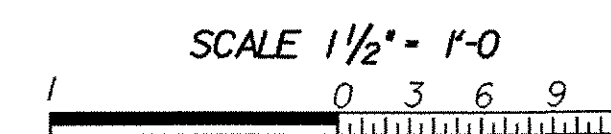
- HOLLOW STRUCTURAL STEEL TUBING SHALL CONFORM TO A-500 OR A-501.
- ALL PLATES, BARS, AND ANGLES SHALL CONFORM TO AASHTO M270 GR. 36.
- DOWNSPOUT SHALL BE GALVANIZED IN ACCORDANCE WITH ASTM A-123 AFTER FABRICATION.
- ALL BOLTS AND RELATED HARDWARE SHALL BE ASTM A-307 AND SHALL BE GALVANIZED IN ACCORDANCE WITH ASTM A-153 (AASHTO M232).
- ANY PLACE WHERE THE GALVANIZING HAS BEEN REMOVED FROM THE DOWNSPOUT EITHER BY CUTTING, BURNING, WELDING, PLACING, OR ANY OTHER MEANS, IT SHALL BE REPAIRED IN ACCORDANCE WITH ASTM A760.
- DOWNSPOUT AND ALL ANCHOR BOLTS WITH RELATED HARDWARE SHALL BE PAID FOR UNDER THE ITEM 506.75 "STRUCTURAL STEEL (DOWNSPOUT)".
- PLACE A 4' X 4' STONEPAD IN THE GROUND BELOW THE OUTLET OF THE DOWNSPOUT. STONEPAD SHALL BE PAID FOR UNDER ITEM 613J2 "STONE FILL, TYPE III".



**ELEVATION VIEW OF BAR "A"**



**DETAILS FOR ATTACHING  
DOWNSPOUT TO BACKWALL**



**DOWNSPOUT DETAILS**

PROJECT NAME: BARRE CITY	PLOT DATE: 16-JUN-2004
PROJECT NUMBER: HDP 9281(I)	DRAWN BY: K. RUTTER
FILE NAME: str5/92j099/sj099exp.dgn	CHECKED BY: T.A. SUMNER
PROJECT LEADER: C. KELLER	SHEET 27 OF 58
DESIGNED BY: K. RUTTER	
sj099ds.i	