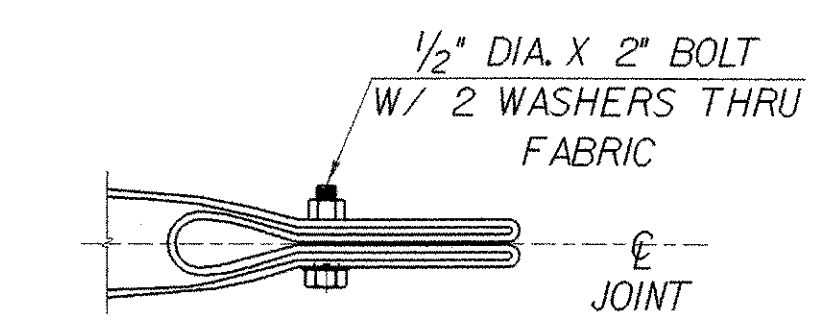


**P.V.C. WATERSTOP FOR CONSTRUCTION JOINTS**

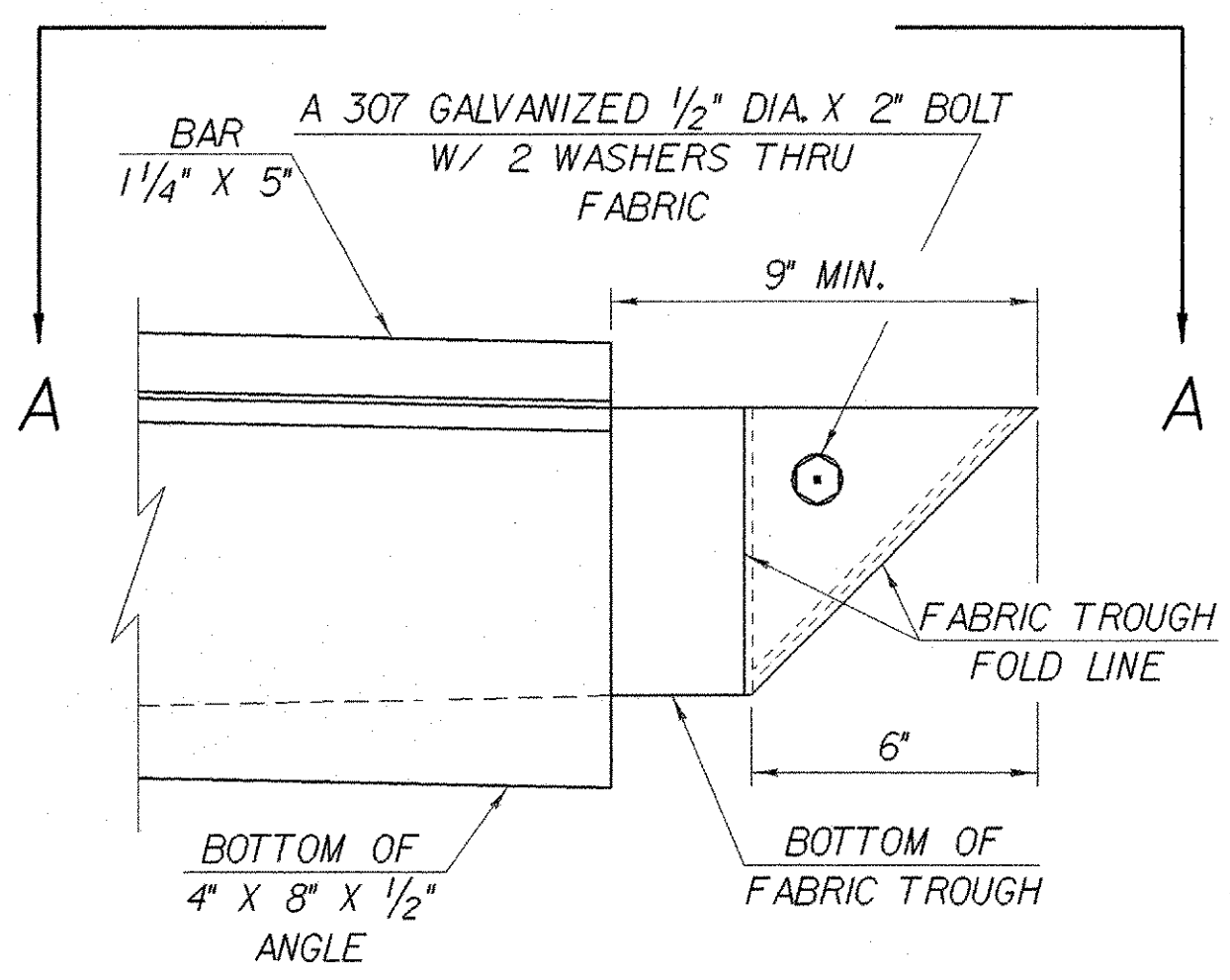
THE COSTS FOR P.V.C. WATERSTOP SHALL BE INCLUDED IN THE UNIT PRICE BID FOR CONCRETE. OTHER CONFIGURATIONS MAY BE USED UPON APPROVAL OF THE STRUCTURES ENGINEER.

NTS

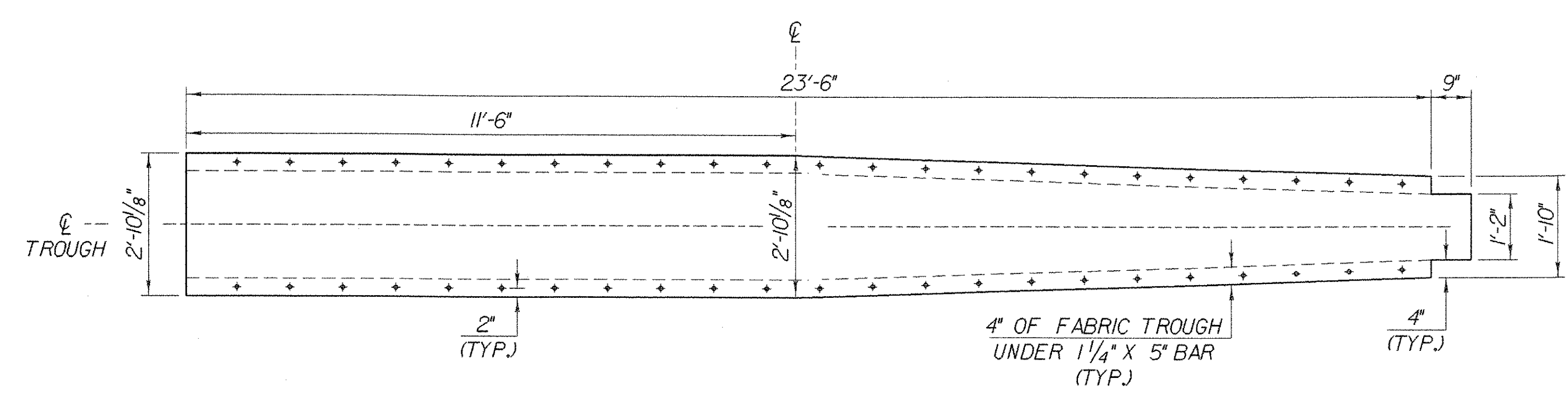


**VIEW A - A**  
NTS

**BRIDGE EXPANSION JOINT DETAILS**

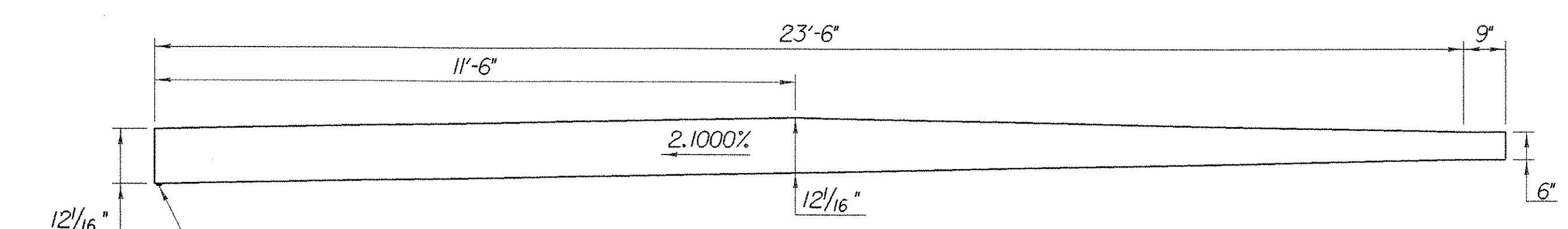


**ELEVATION FOLDED TROUGH END DETAILS**  
NTS



**FABRIC TROUGH PLAN VIEW**

SCALE 1/2" = 1'-0"



**FABRIC TROUGH ELEVATION VIEW**

SCALE 1/2" = 1'-0"

SEE SHEET 25 FOR BRIDGE EXPANSION JOINT NOTES

|                 |                          |             |             |
|-----------------|--------------------------|-------------|-------------|
| PROJECT NAME:   | BARRE CITY               | PLOT DATE:  | 16-JUN-2004 |
| PROJECT NUMBER: | HDP 9281(I)              | DRAWN BY:   | K. RUTTER   |
| FILE NAME:      | s+r5/92j099/sj099exp.dgn | CHECKED BY: | T.A. SUMNER |
| PROJECT LEADER: | C. KELLER                | SHEET       | 26 OF 58    |
| DESIGNED BY:    | K. RUTTER                |             |             |
|                 | sj099expplan.i           |             |             |