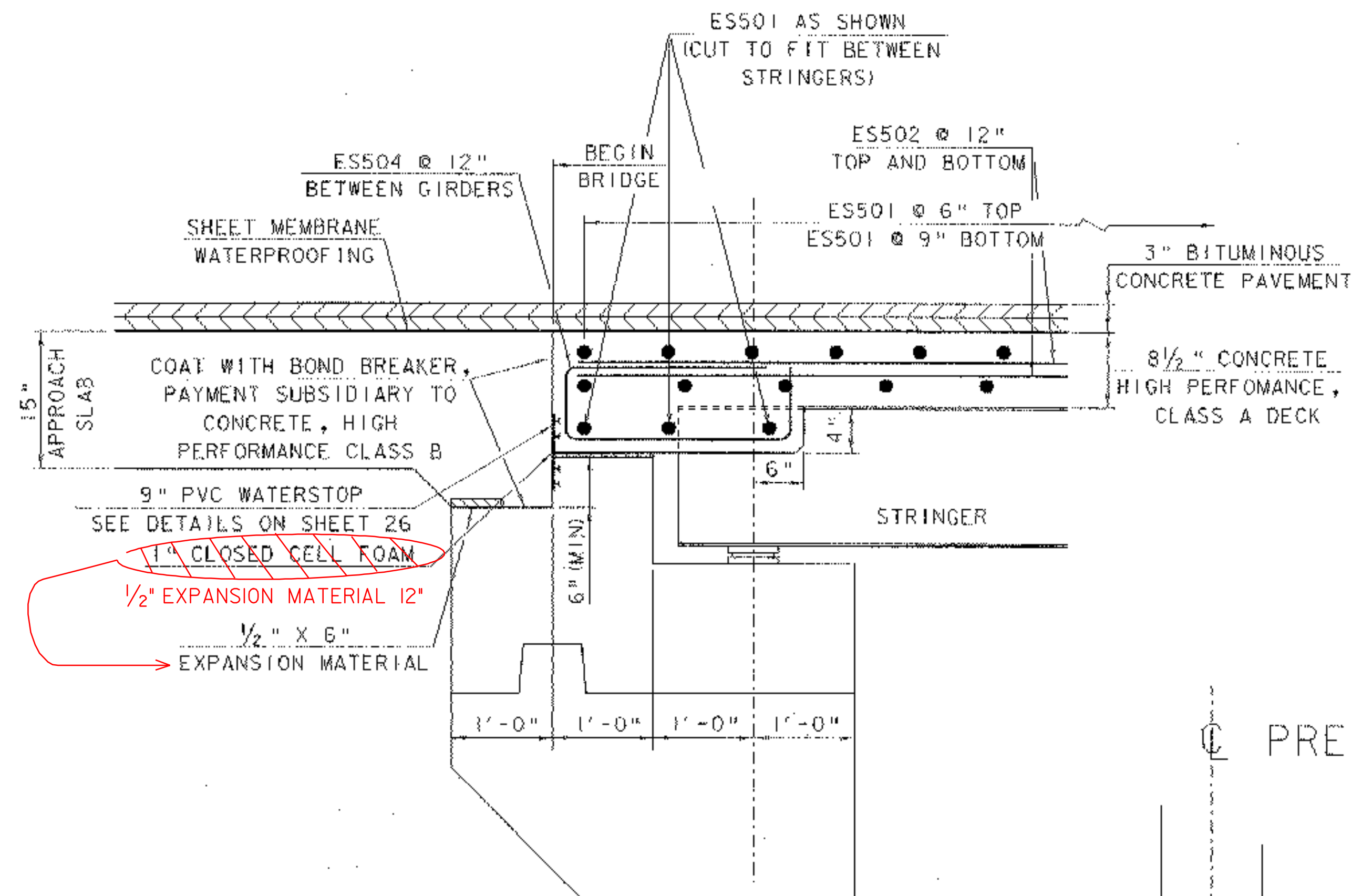
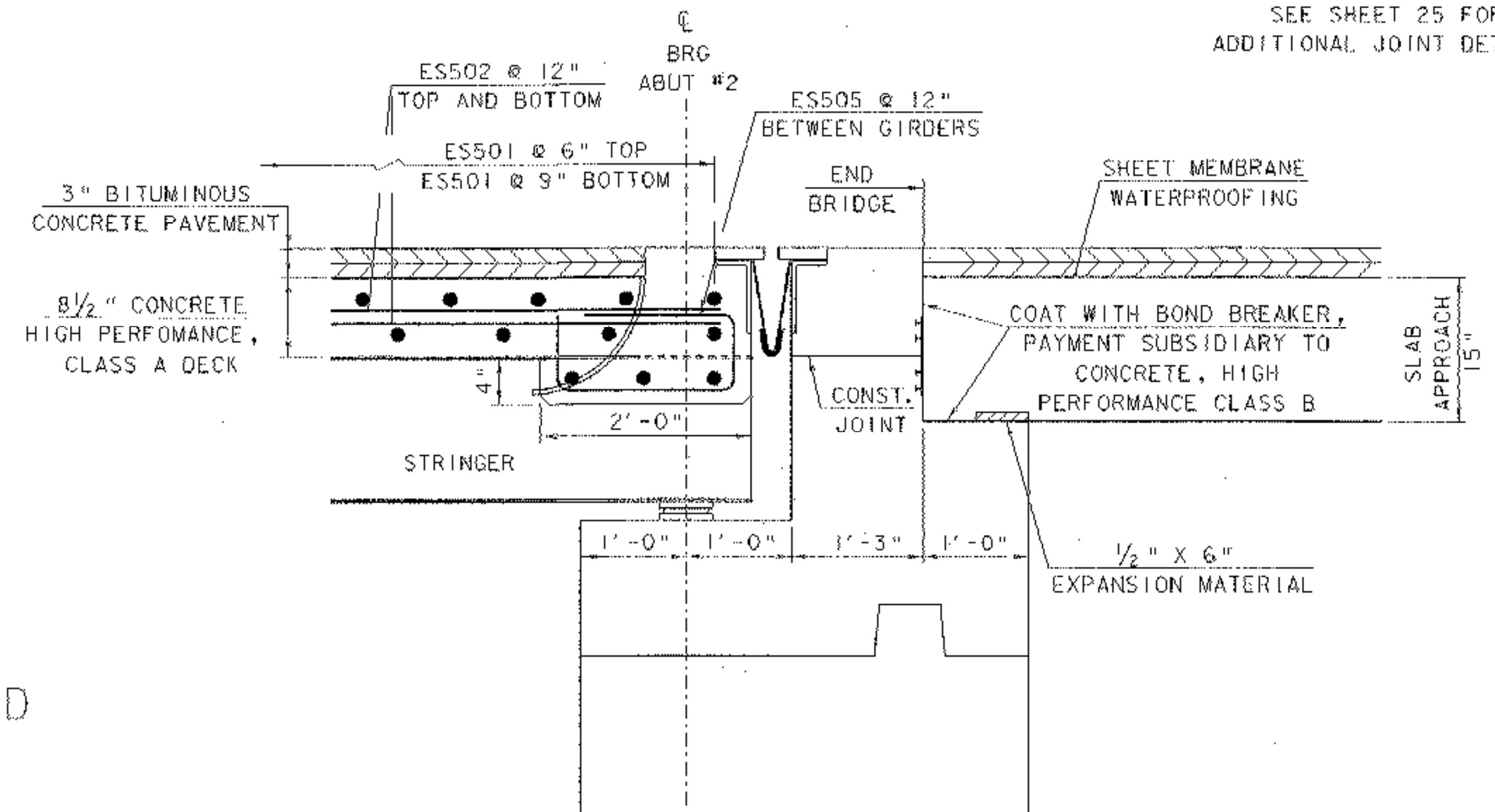


SEE SHEET 25 FOR
ADDITIONAL JOINT DETAILS

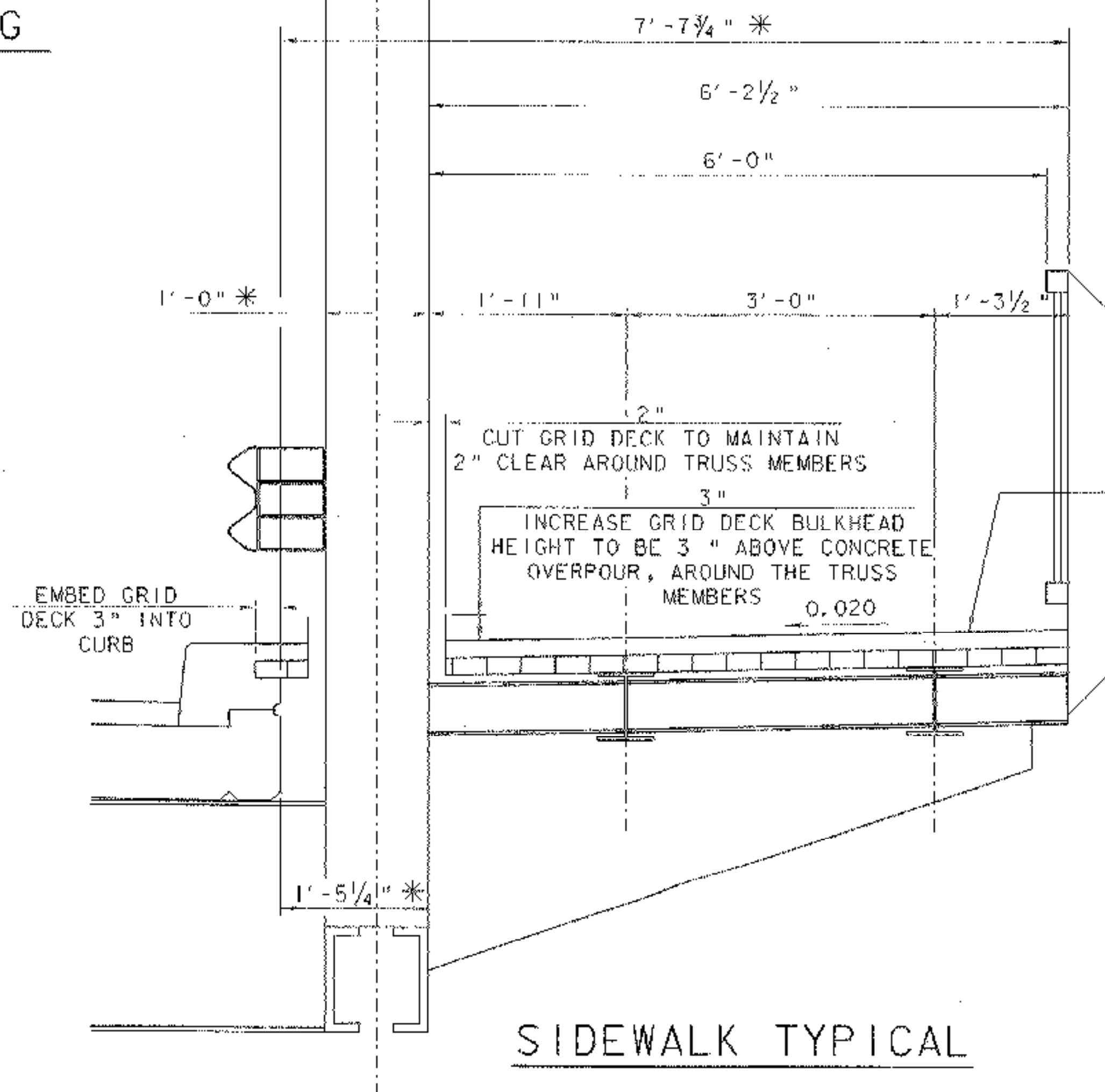


END DETAIL AT ABUT #1
NORMAL TO C BEARING

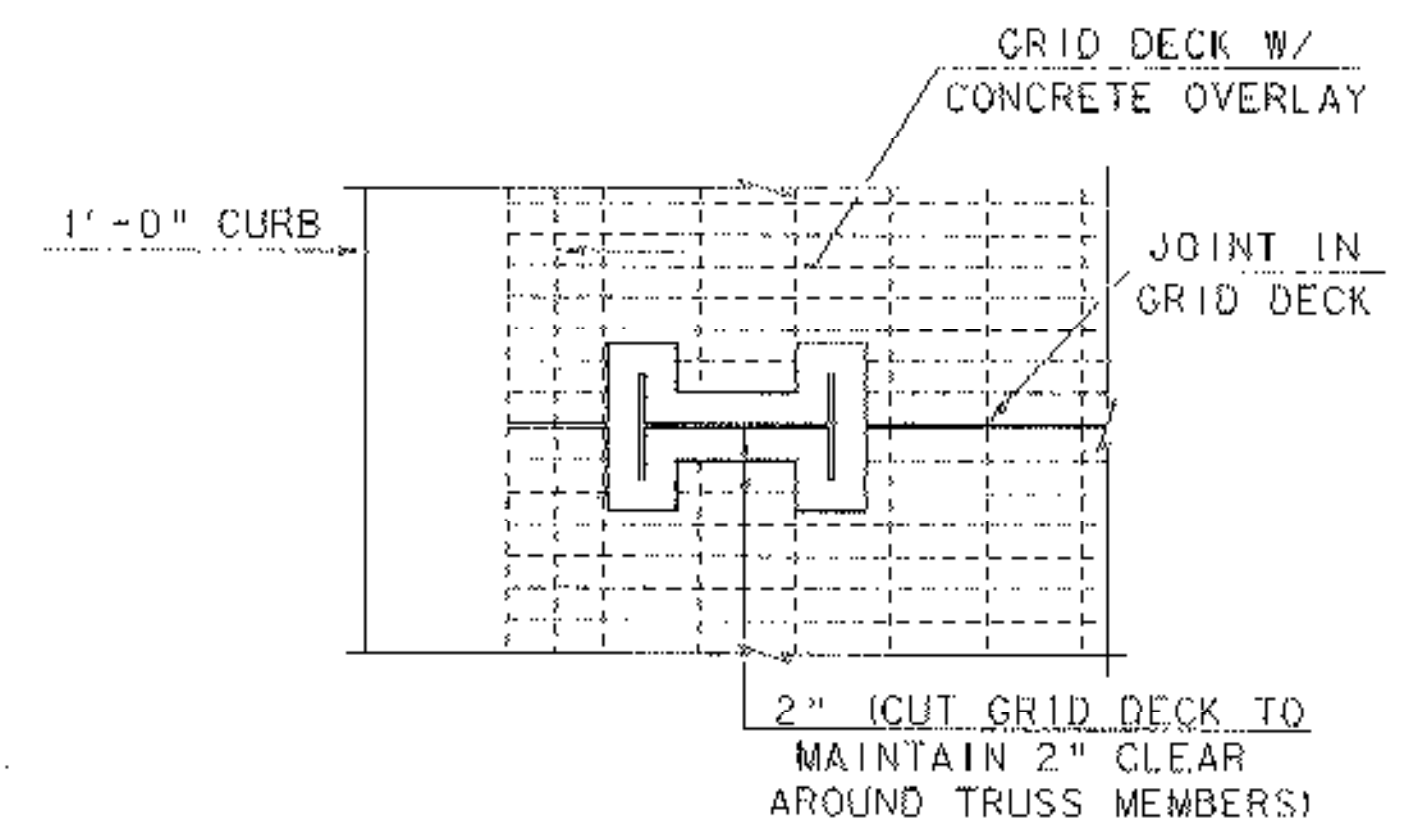


END DETAIL AT ABUT #2
NORMAL TO C BEARING

NEW
PREFABRICATED
TRUSS



SIDEWALK TYPICAL

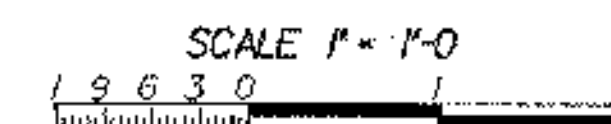


GRID DECK AT TRUSS

JOINTS IN THE GRID DECK SHOULD
OCCUR AT TRUSS VERTICALS.

END OF BRIDGE AND
SIDEWALK DETAILS

* THIS DIMENSION IS BASED ON A TRUSS MEMBER WIDTH
OF 12", ACTUAL DIMENSION MAY VARY DUE TO TRUSS
FABRICATOR USING A DIFFERENT MEMBER WIDTH.



PROJECT NAME: BARRE CITY
PROJECT NUMBER: HDP 9281(I)

FILE NAME: /str/5/92/099/sj099sup.dgn
PROJECT LEADER: C. KELLER
DESIGNED BY: K. RUTTER
sj099supend.J

PLOT DATE: 16-JUN-2004
DRAWN BY: K. RUTTER
CHECKED BY: T.A. SUMNER
SHEET 23 OF 58