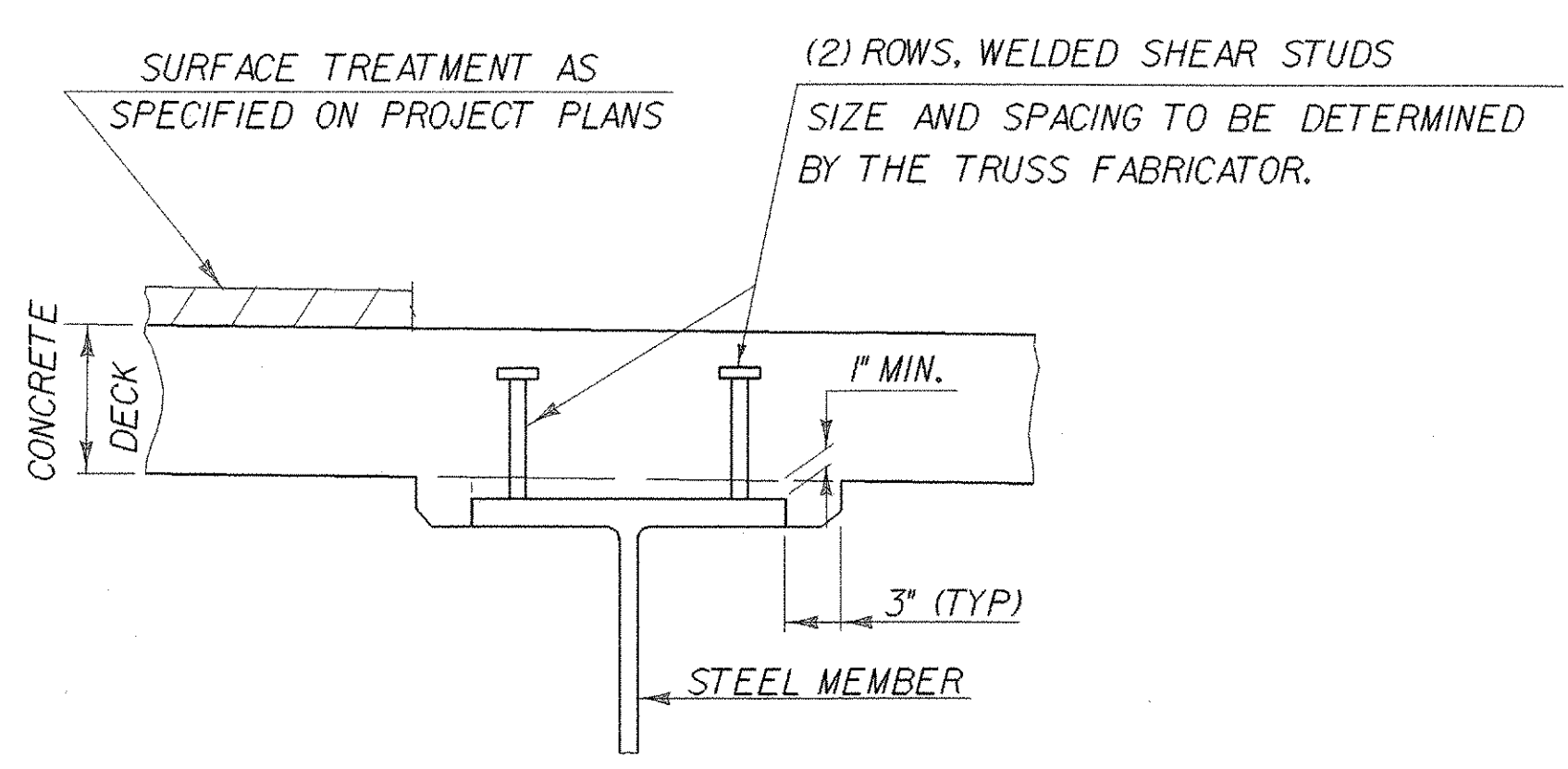


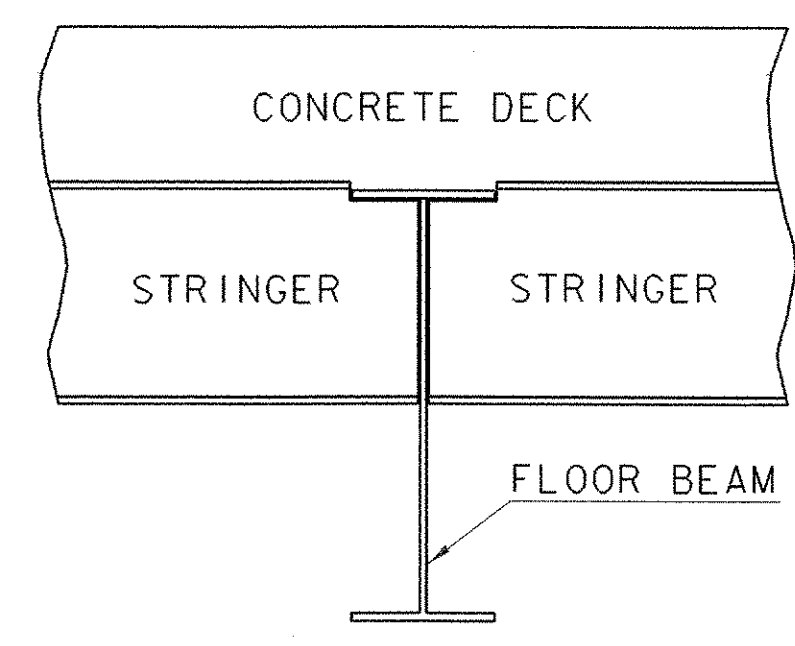
BRIDGE TYPICAL SECTION

SCALE 1/2" = 1'-0"
 1 0 1 2

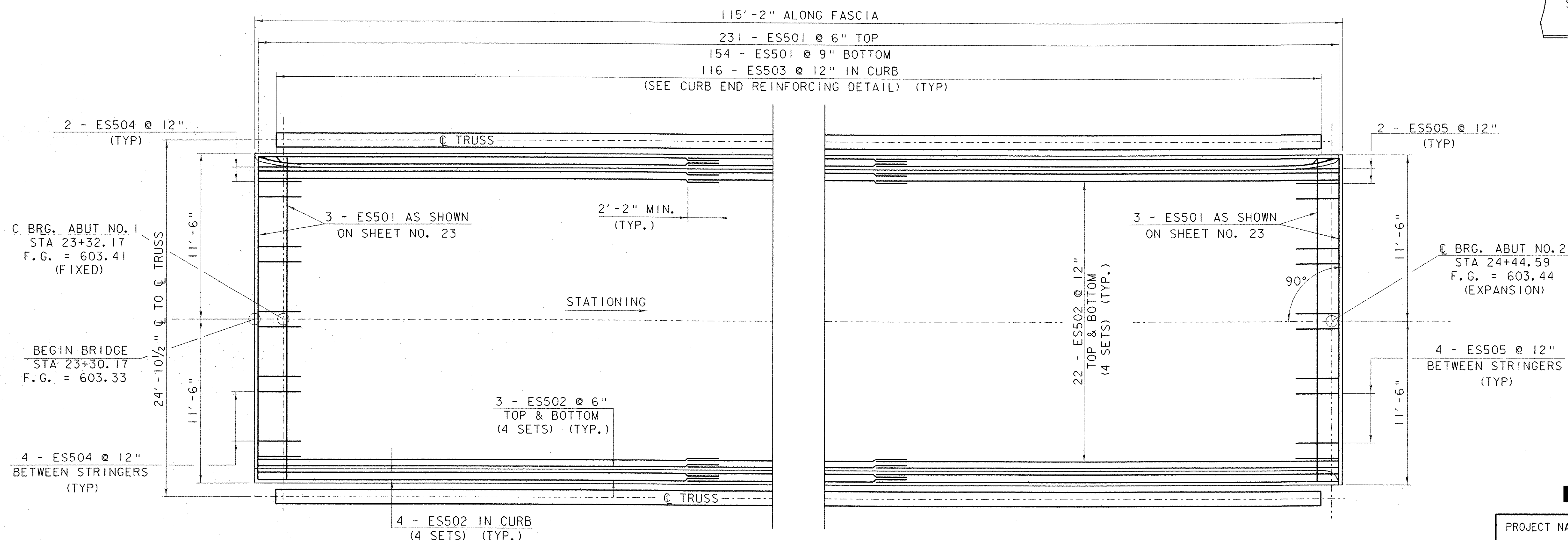


HAUNCH AND SHEAR CONNECTOR DETAILS
 NTS

NOTE: DECK SHOULD BE HAUNCHED DOWN ONTO FLOOR BEAM



SECTION A-A
 NTS



DECK REINFORCING PLAN

SCALE 1/4" = 1'-0"
 1 0 2 4 6

NOTE:
 NF = NEAR FACE
 FF = FAR FACE
 EF = EACH FACE
 ▲ = CUT TO FIT IN FIELD
 3" CLR. UNLESS OTHERWISE SPECIFIED ON THE PLANS.

BRIDGE DECK DETAILS

PROJECT NAME: BARRE CITY	PLOT DATE: 16-JUN-2004
PROJECT NUMBER: HDP 9281(I)	DRAWN BY: K. RUTTER
FILE NAME: /str5/92j099/sj099sup.dgn	CHECKED BY: T.A. SUMNER
PROJECT LEADER: C. KELLER	SHEET 22 OF 58
DESIGNED BY: K. RUTTER	
sj099deck.i	

* THIS DIMENSION IS BASED ON A TRUSS MEMBER WIDTH OF 12", ACTUAL DIMENSION MAY VARY DUE TO TRUSS FABRICATOR USING A DIFFERENT MEMBER WIDTH.