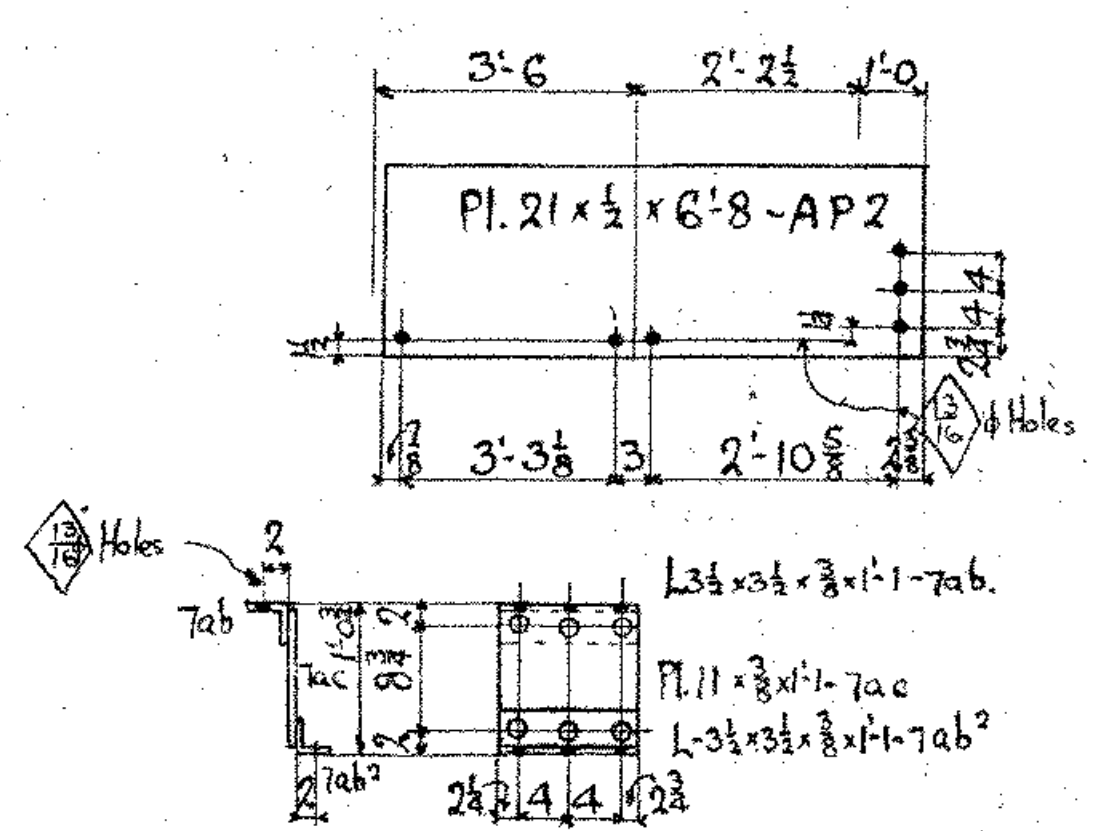
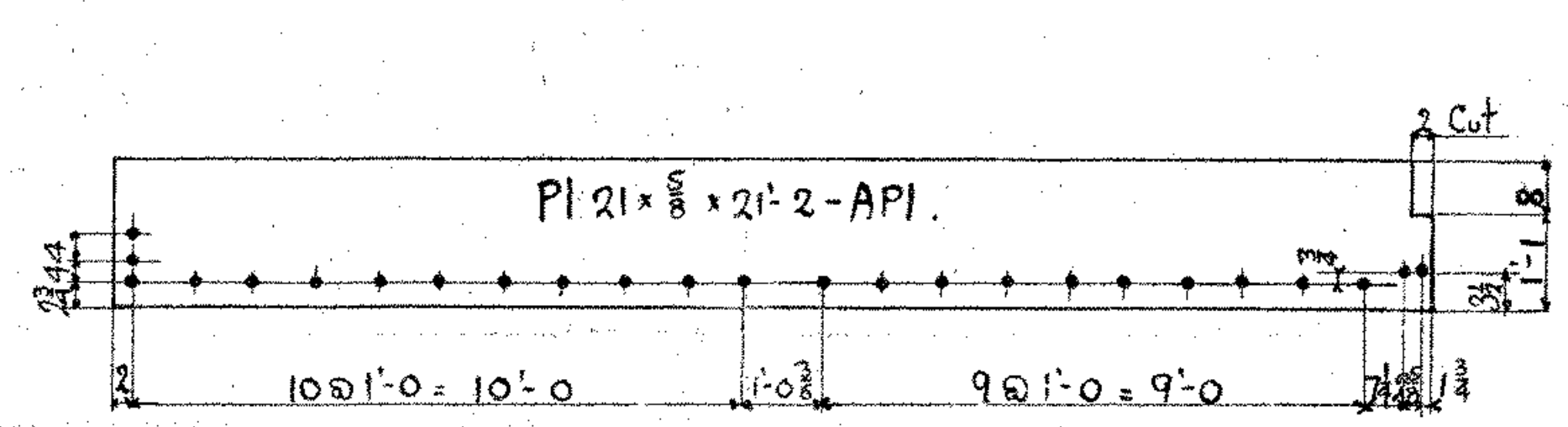
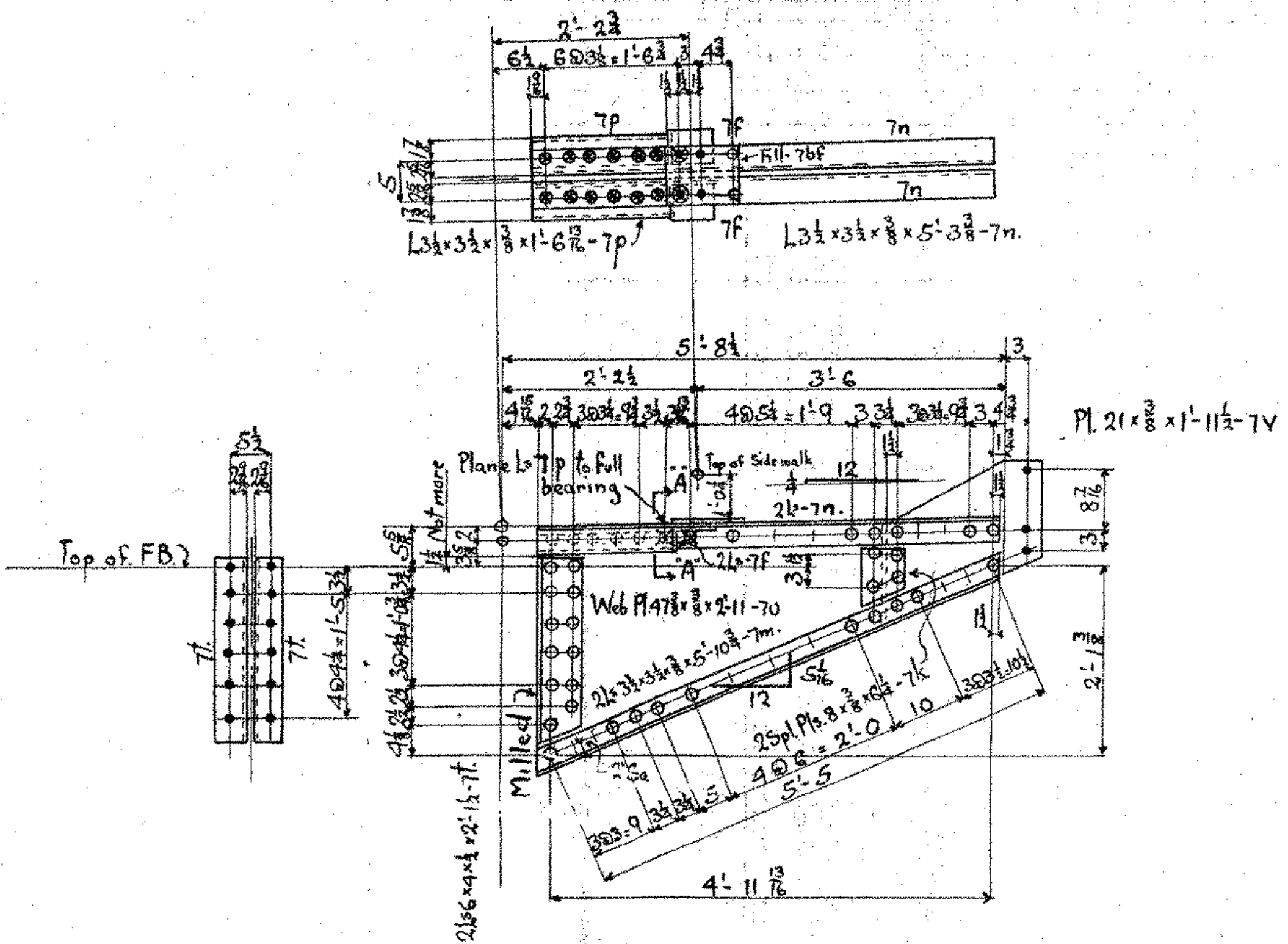
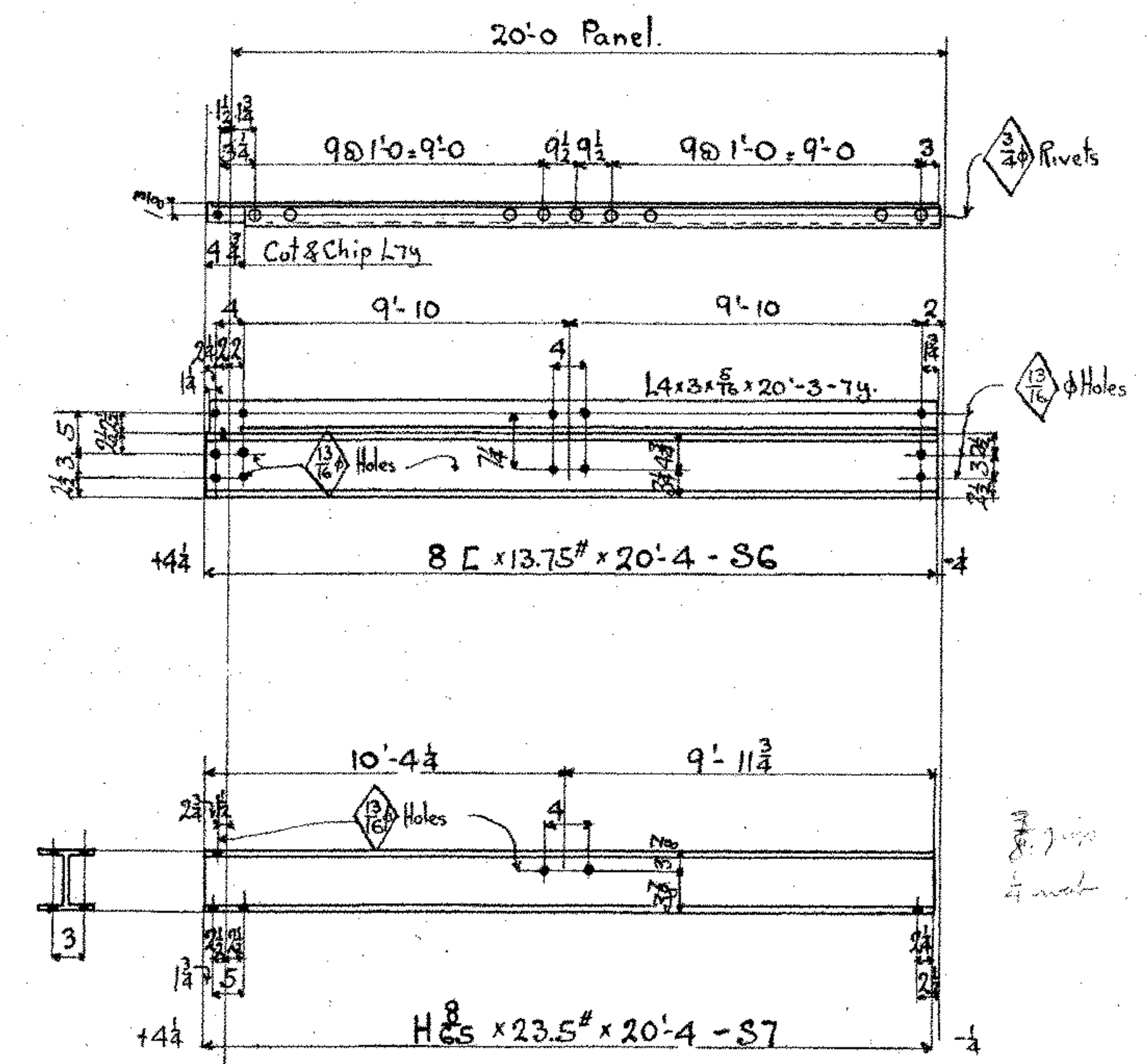
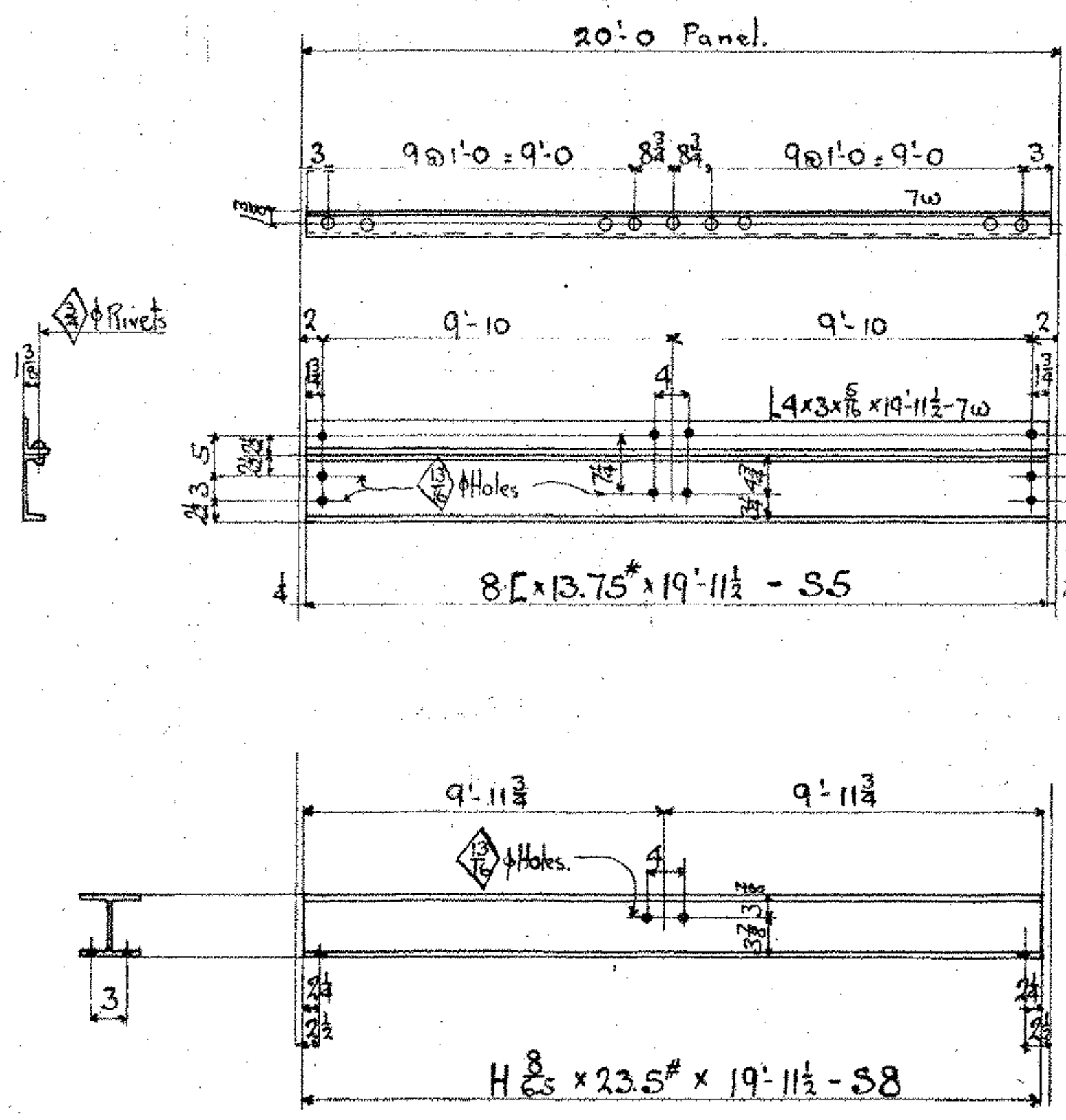
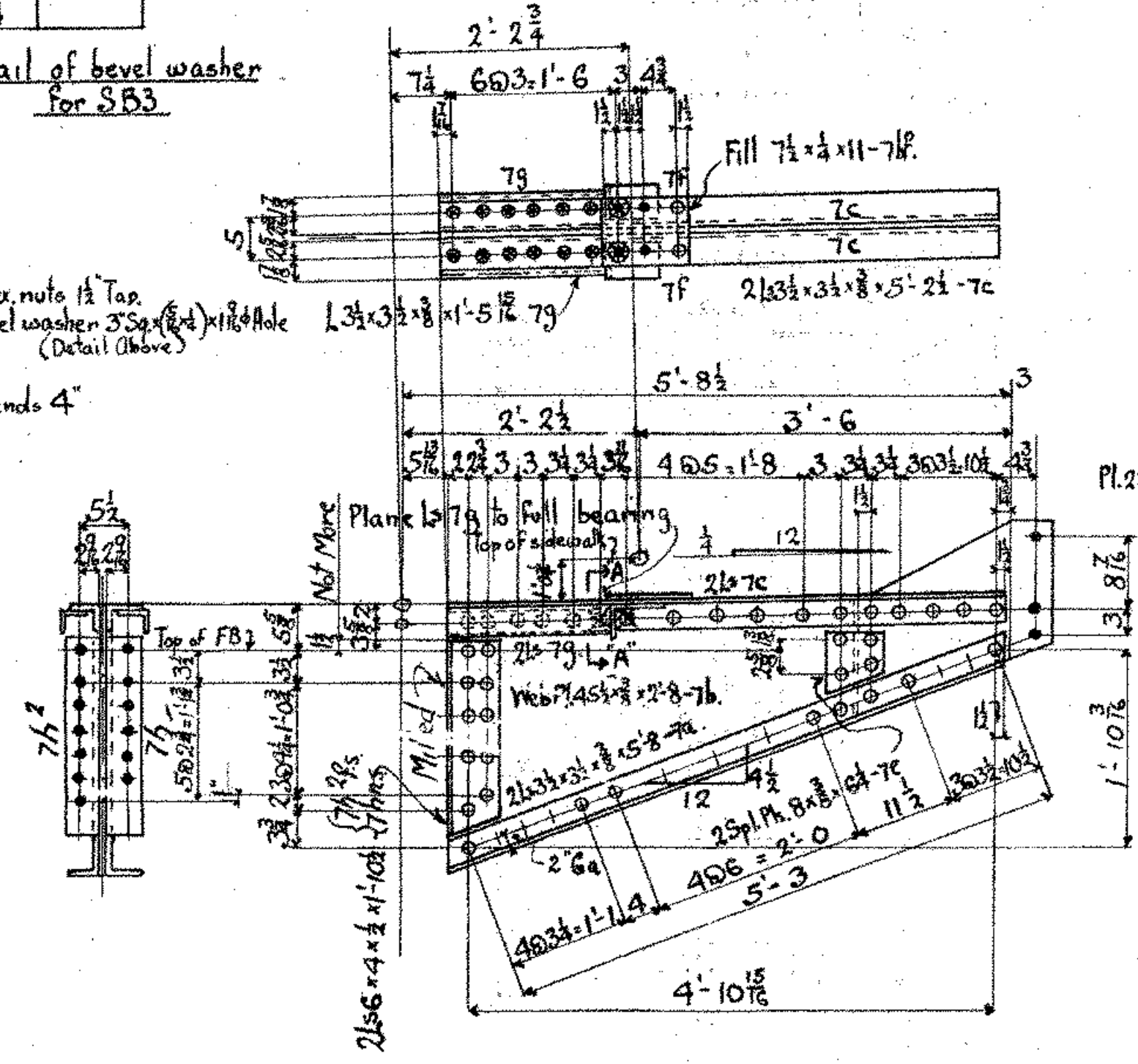
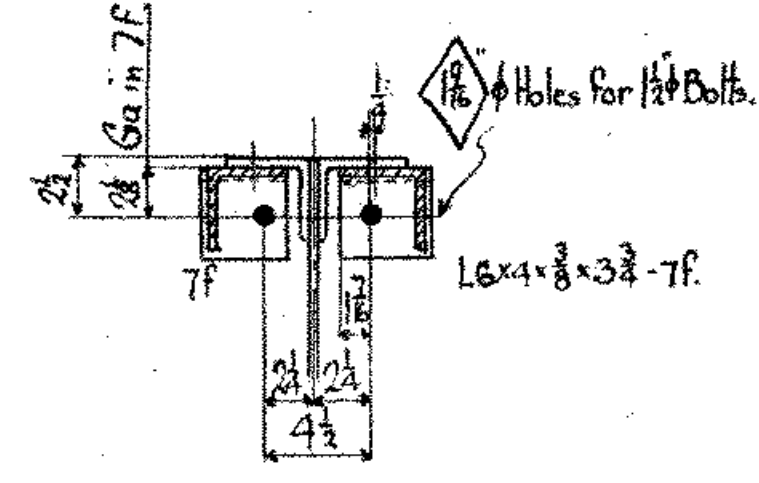


2 Hex Nuts 1 1/2" Tap, for 2 3/4" x 1 1/2" x 1 1/2" Hole

Stay Bolt 1 1/2" x 3'-1" long, threaded both ends 4"

SB3

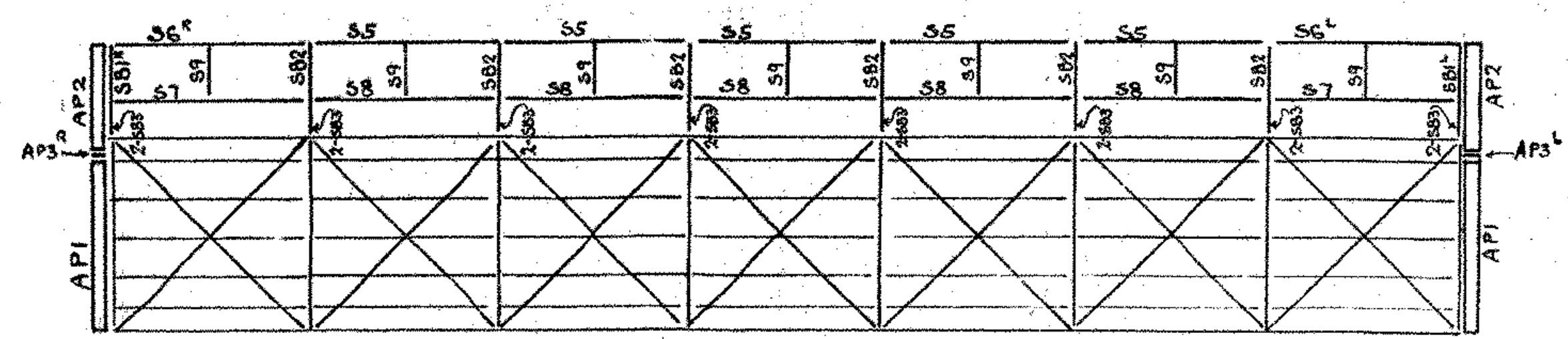


Notes:-
 Specifications Std. Spec. for Steel Highway Bridges
 U.S. Dept. of Agriculture Dept. Bulletin "1259"
 Rivets 7/8" except as noted
 Open Holes 1 1/8" except as noted
 Holes in material 3/8" or less in thickness may be punched full size
 Holes in material more than 3/8" thick shall be subpunched & reamed or drilled from the solid
 Truss members shall be assembled in shop & holes for field connections shall be reamed or drilled while so assembled & the members match-marked.
 Floorbeam & Stringer connections to be subpunched & reamed to a metal template not less than 1" thick or reamed while assembled.
 Field connections for laterals & sway bracing punched full size.

Shop Paint:- One coat of Dutch Boy Red Lead.

Required List

One Sidewalk Bracket	SB1 ^R
One "	SB1 ^L
6 "	SB2
5 Stringers	S5
One "	S6 ^R
One "	S6 ^L
2 "	S7
5 "	S8
7 Struts	S9
2 Apron Plates	API
2 "	AP2
One "	AP3 ^R
16 Sidewalk Bracket Bolts	SB3
One Apron Plate	AP3 ^L



BETHLEHEM STEEL COMPANY
 Fabrication and Erection Dept. BETHLEHEM, PA.

DETAIL OF Sidewalk Brackets, Stringers, Apron Plates
 STRUCTURE: Railroad St. Bridge over Lamolle River, Bridge No. 33
 CUSTOMER: Ring Const. Co.

SHOP PAINT: See Note

RIVETS OPEN HOLES UNLESS NOTED

DRAWN BY	DATE	CHECKED BY	DATE	SOFTAD
R. MacL.	3/7/28	cats	3-12-28	C. Roll

PROJECT NAME: JOHNSON
 PROJECT NUMBER: BHO 1448(18)

HIGHWAY NO.: TH 2
 BRIDGE NO.: 6
 OVER: THE LAMOLLE RIVER

FOR INFORMATIONAL PURPOSES ONLY
 SHEET 73 OF 73

Adm. Bill. # 5, 47

FILE: F 7297 CONT. EE2884 DWG. # 7