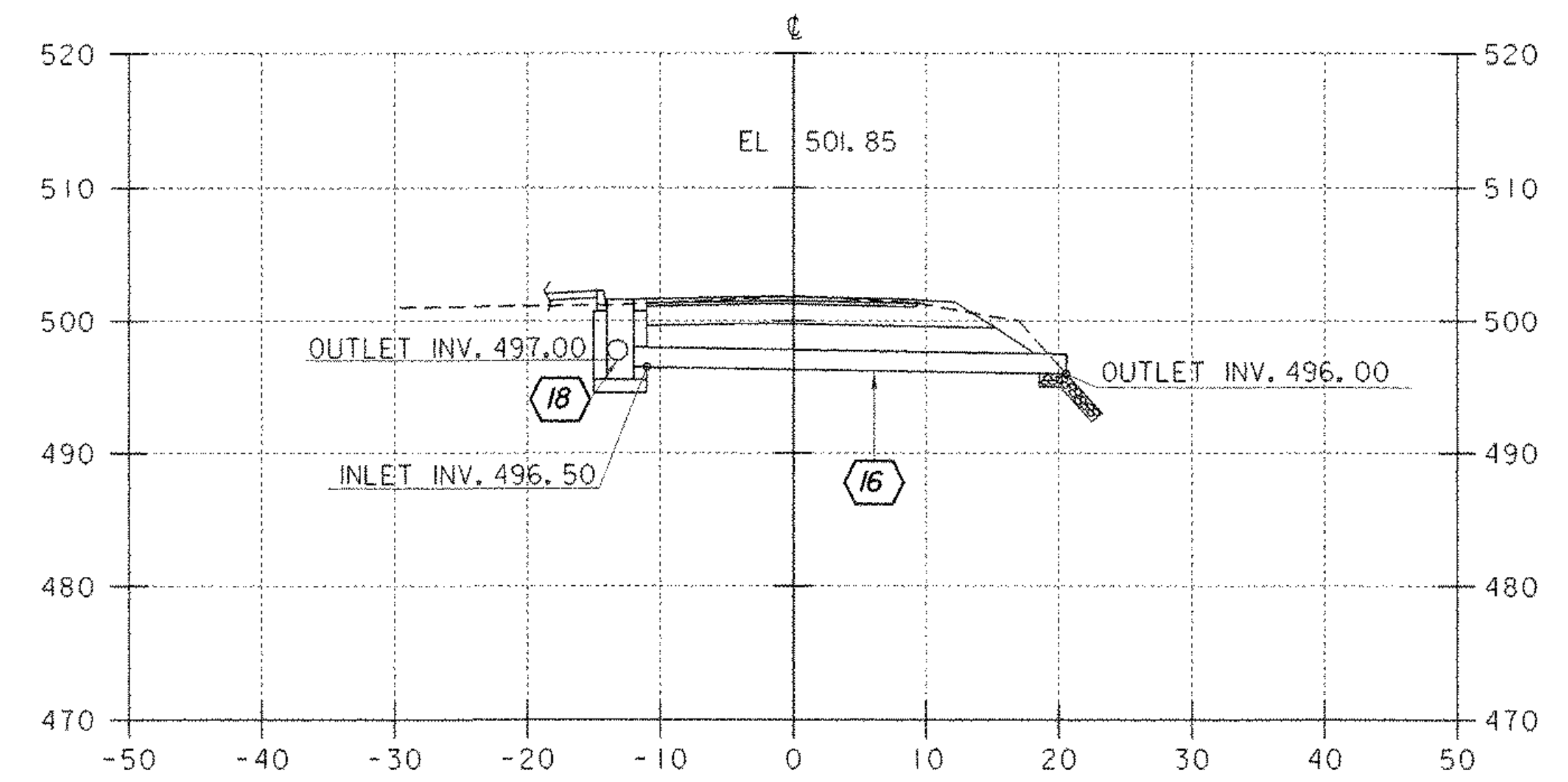
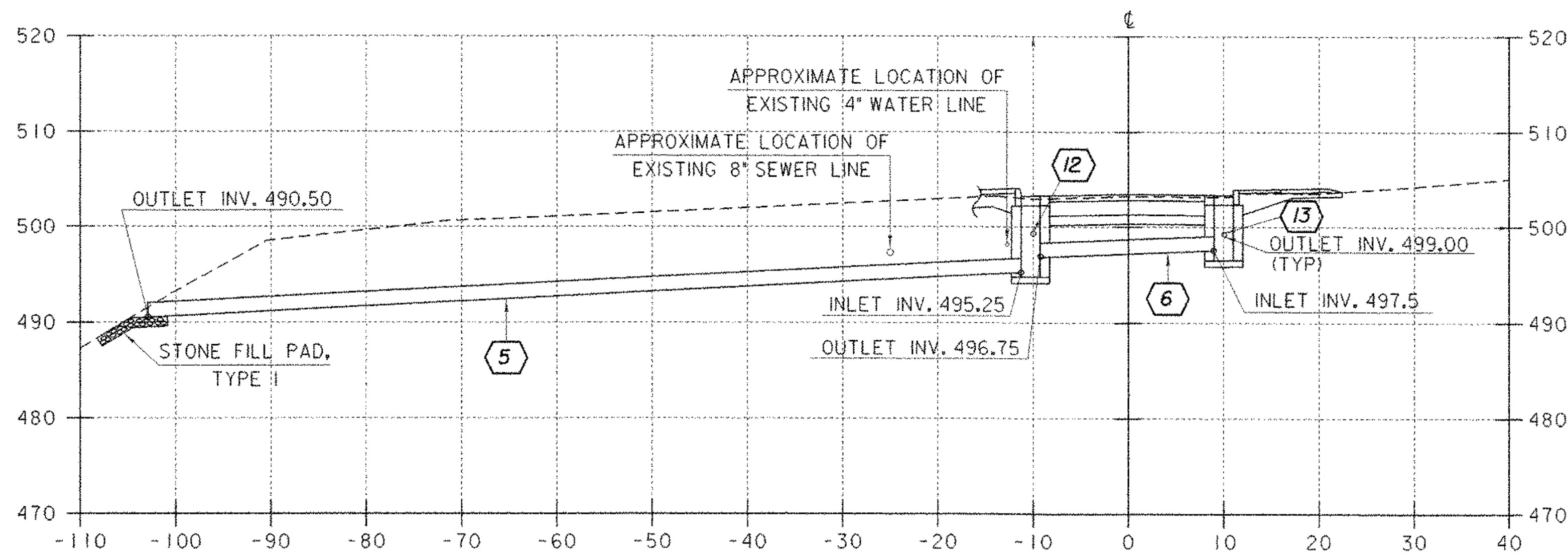


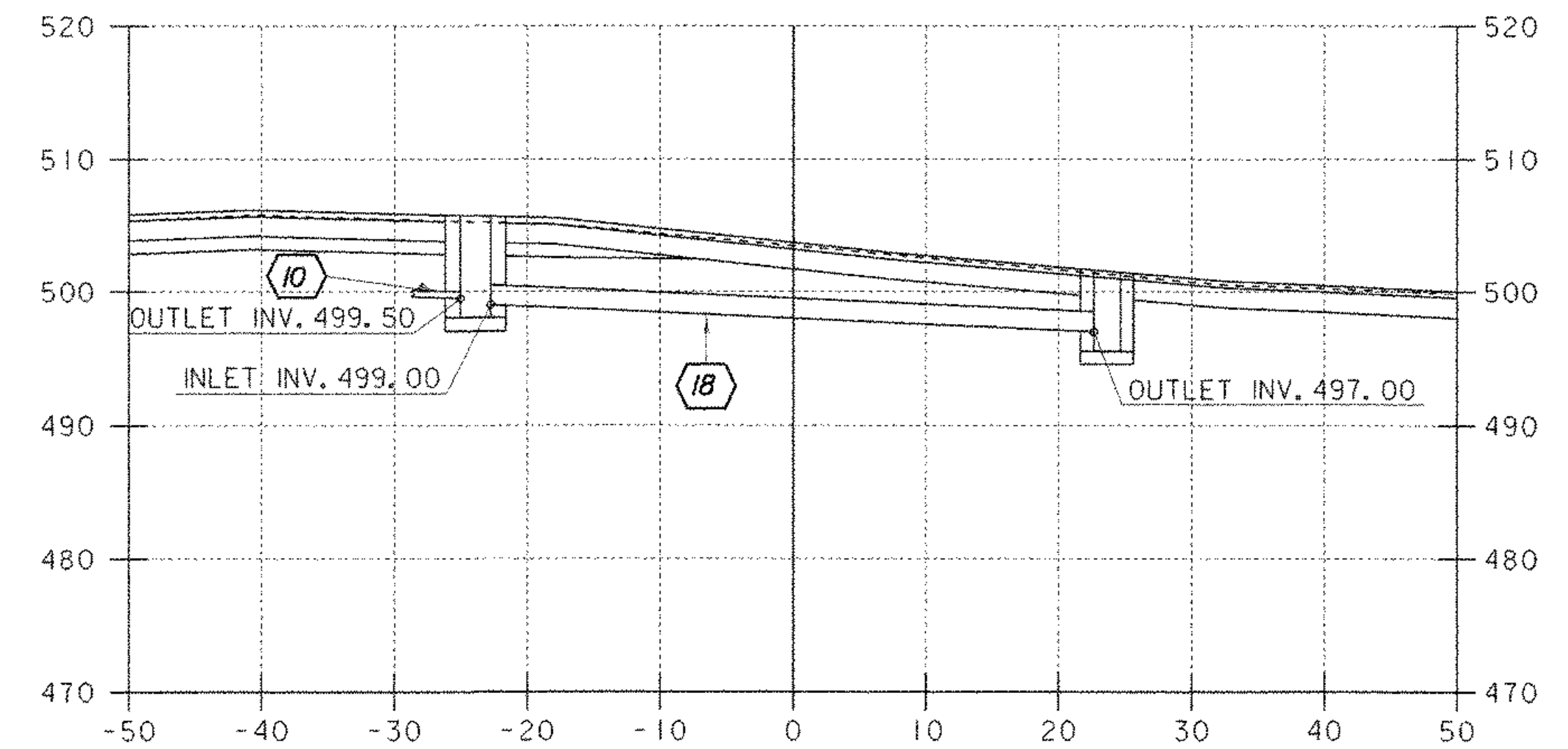
REV STA 11+84 RT - REV STA 12+18 RT  
SIDELINE "A" (RIVER ROAD)  
PIPES 3 AND 4  
PIPE SKEWED 54°



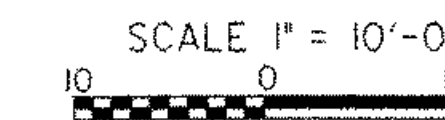
REV STA 0+64 LT - REV STA 0+71 RT  
SIDELINE "B" RIVER STREET  
PIPE 16 SKEWED 16°



SECTION ALONG  $\phi$  OF PIPES 5 AND 6



REV STA 12+40 LT - REV STA 'B' (RIVER ROAD) STA 0+64 LT  
PIPE 18 SKEWED 87°



SHEET NAME: DRAINAGE PIPE SECTIONS

PROJECT NAME: JOHNSON  
PROJECT NUMBER: BHO 1448(18)

HIGHWAY NO.: TH 2  
BRIDGE NO.: 6  
OVER: THE LAMOILLE RIVER

FILE NAME: /str/1/90j067/sj067xs.dgn  
PROJECT MANAGER: R. WHITCOMB  
DESIGNED BY: C. MEUNIER  
BRIDGE SHEET NUMBER:

PLOT DATE: 02-SEP-2005  
DRAWN BY: D.BONNEAU  
IPARM NAME: sc067pip.i  
SHEET 62 OF 73