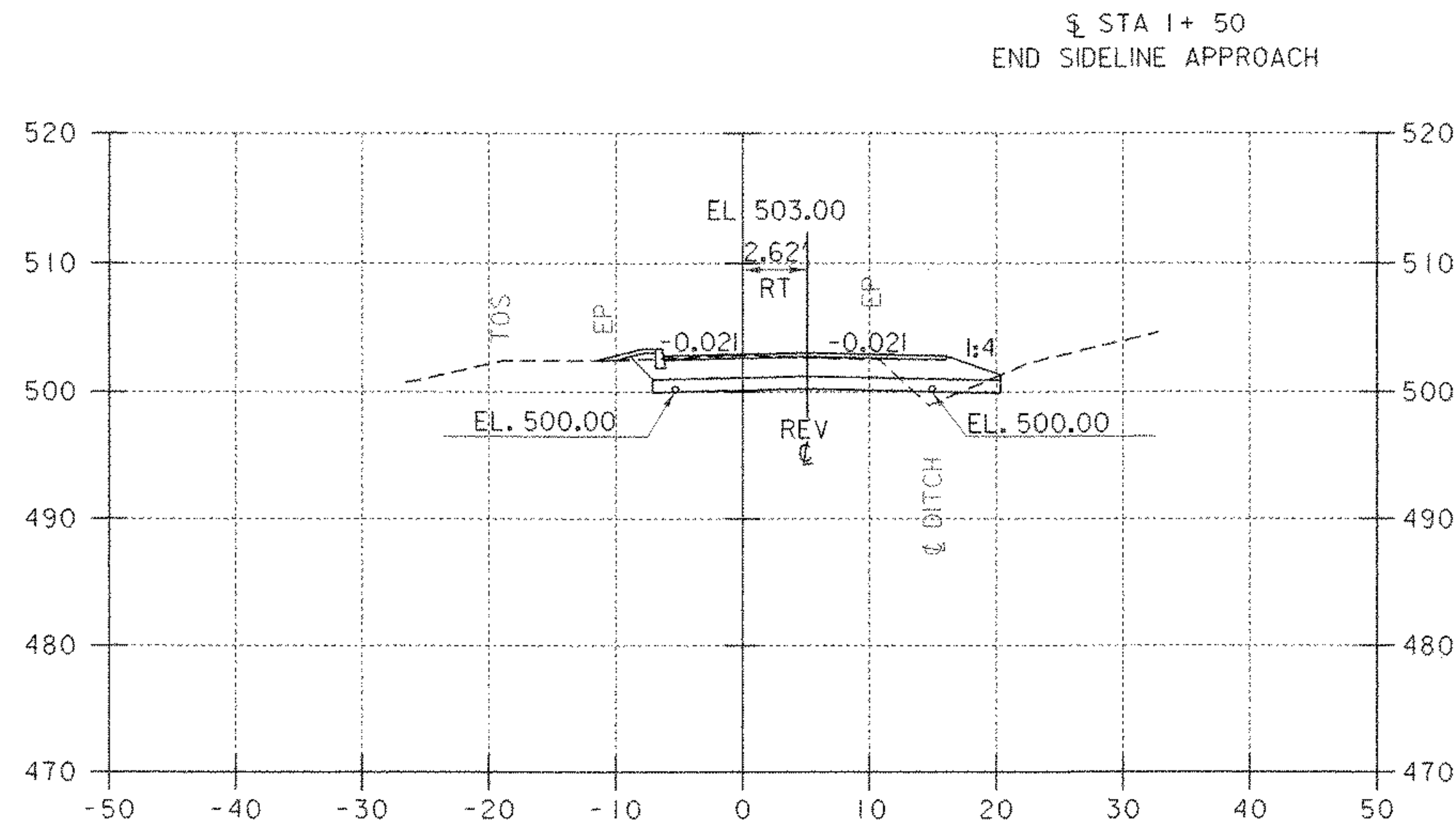
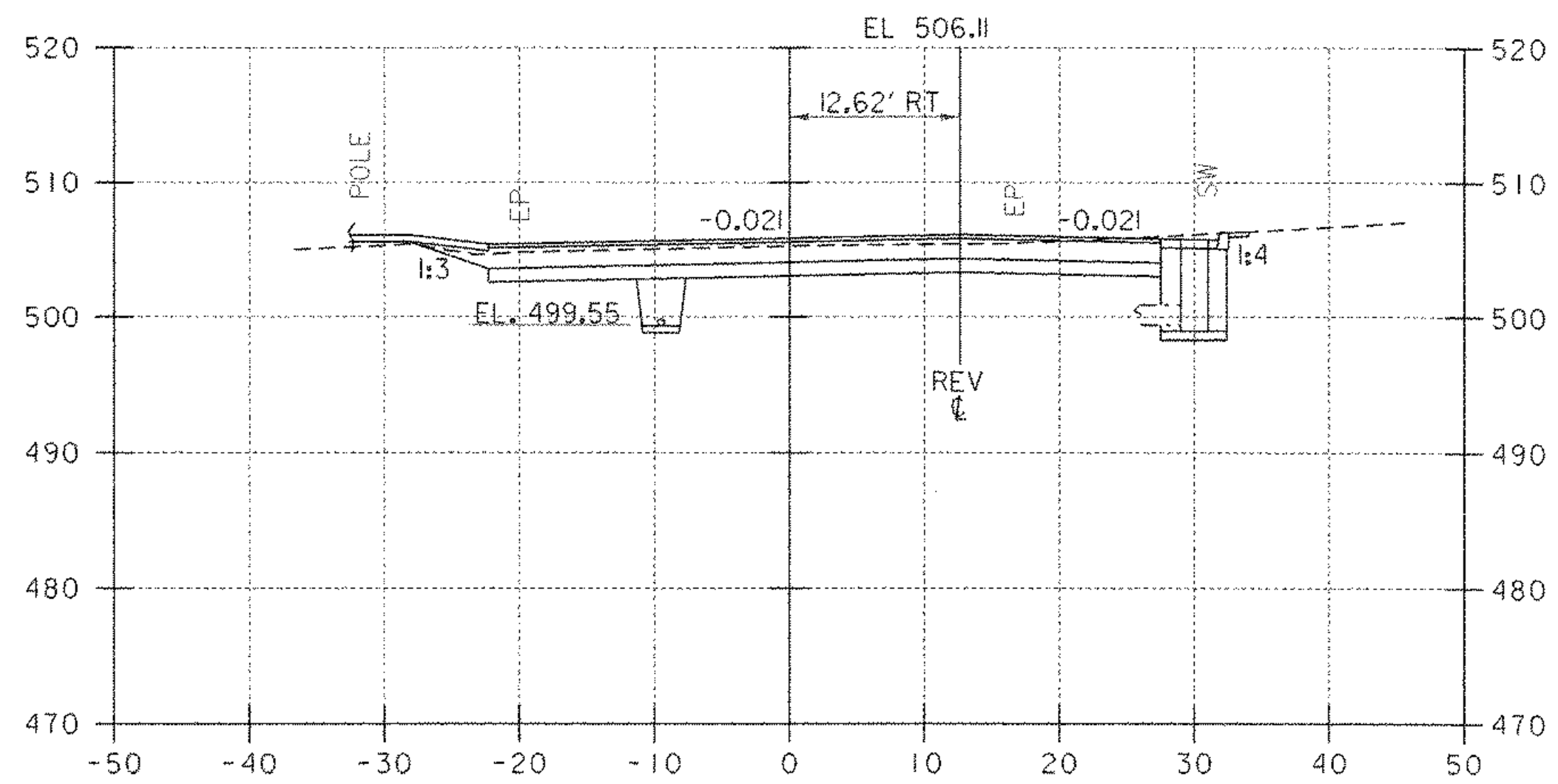


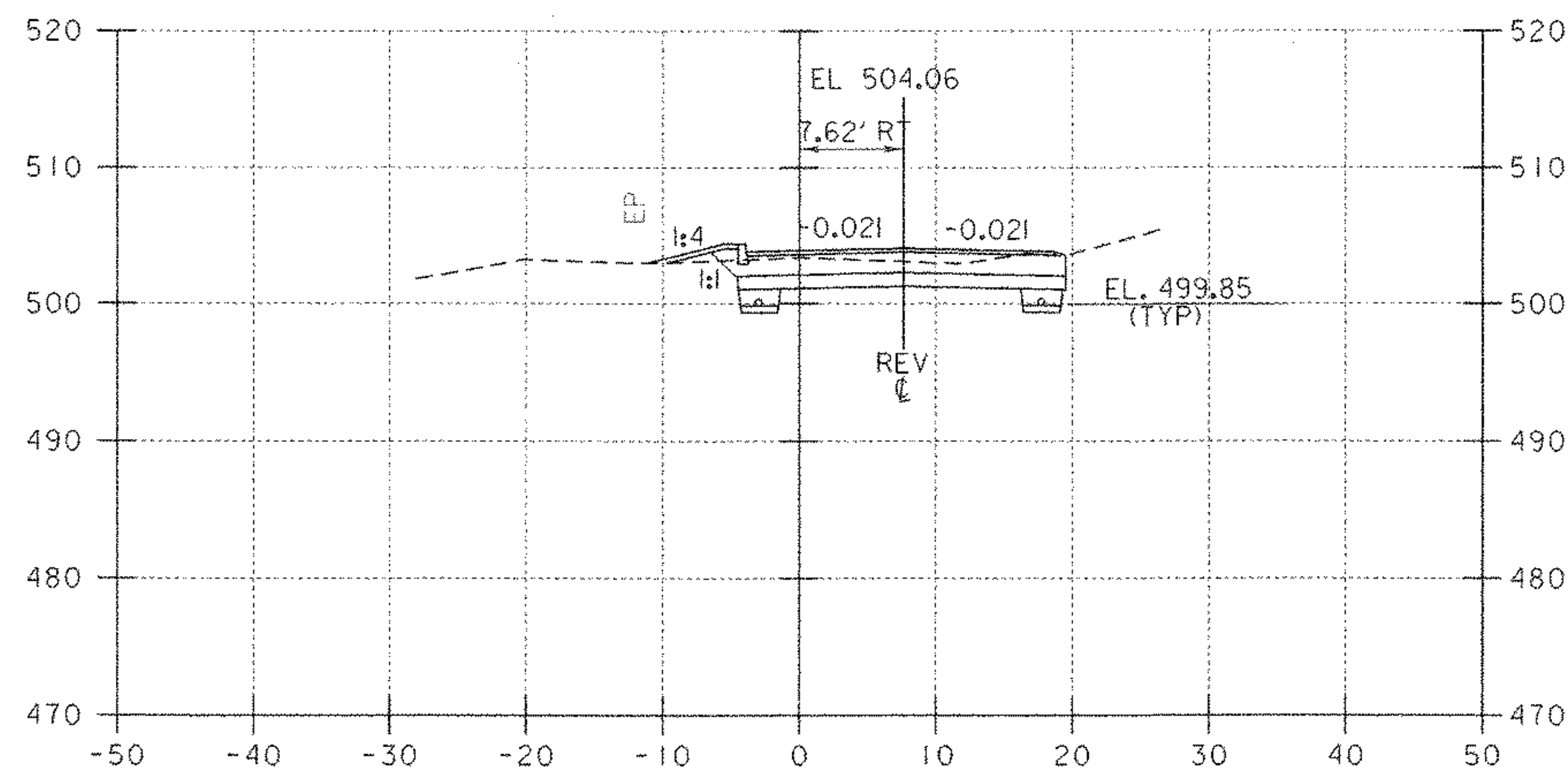
SURV STA 0+50 =
REV STA 0+47.02



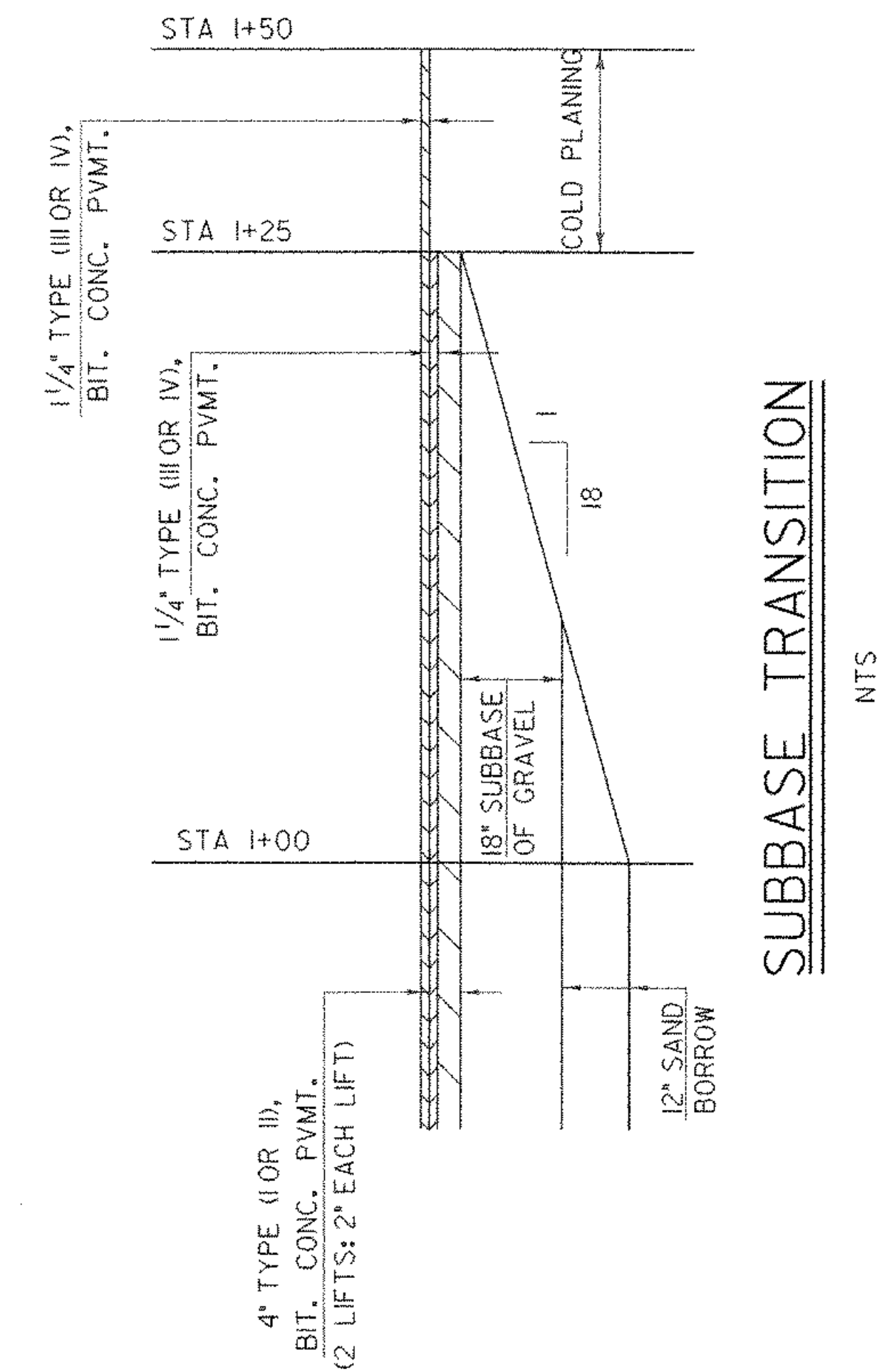
SURV STA 1+00 =
REV STA 0+97.27



SURV STA 0+25 =
REV STA 0+21.89

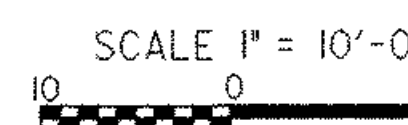


SURV STA 0+75 =
REV STA 0+72.15



SUBBASE TRANSITION

NTS



RIVER ROAD EAST (TH 45)

SHEET NAME: SIDELINE "A" CROSS SECTIONS	
PROJECT NAME: JOHNSON	HIGHWAY NO.: TH 2
PROJECT NUMBER: BHO 1448(18)	BRIDGE NO.: 6
	OVER: THE LAMOILLE RIVER
FILE NAME: /s/r1/90j067/sj067xs.dgn	PLOT DATE: 02-SEP-2005
PROJECT MANAGER: R. WHITCOMB	DRAWN BY: S. MAGNAN
DESIGNED BY: C. MEUNIER	IPARM NAME: sc067sa.i
BRIDGE SHEET NUMBER:	SHEET 60 OF 73