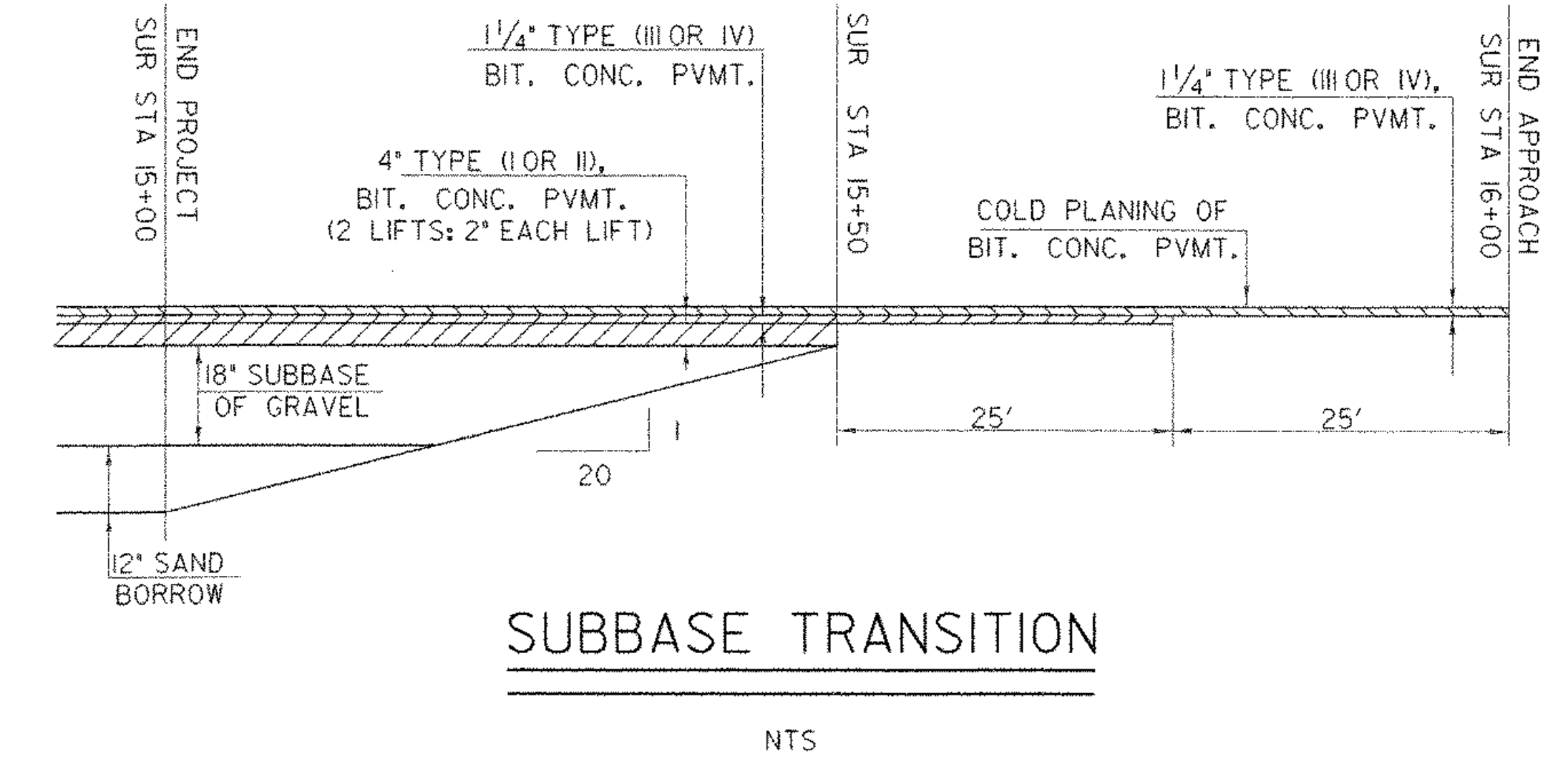
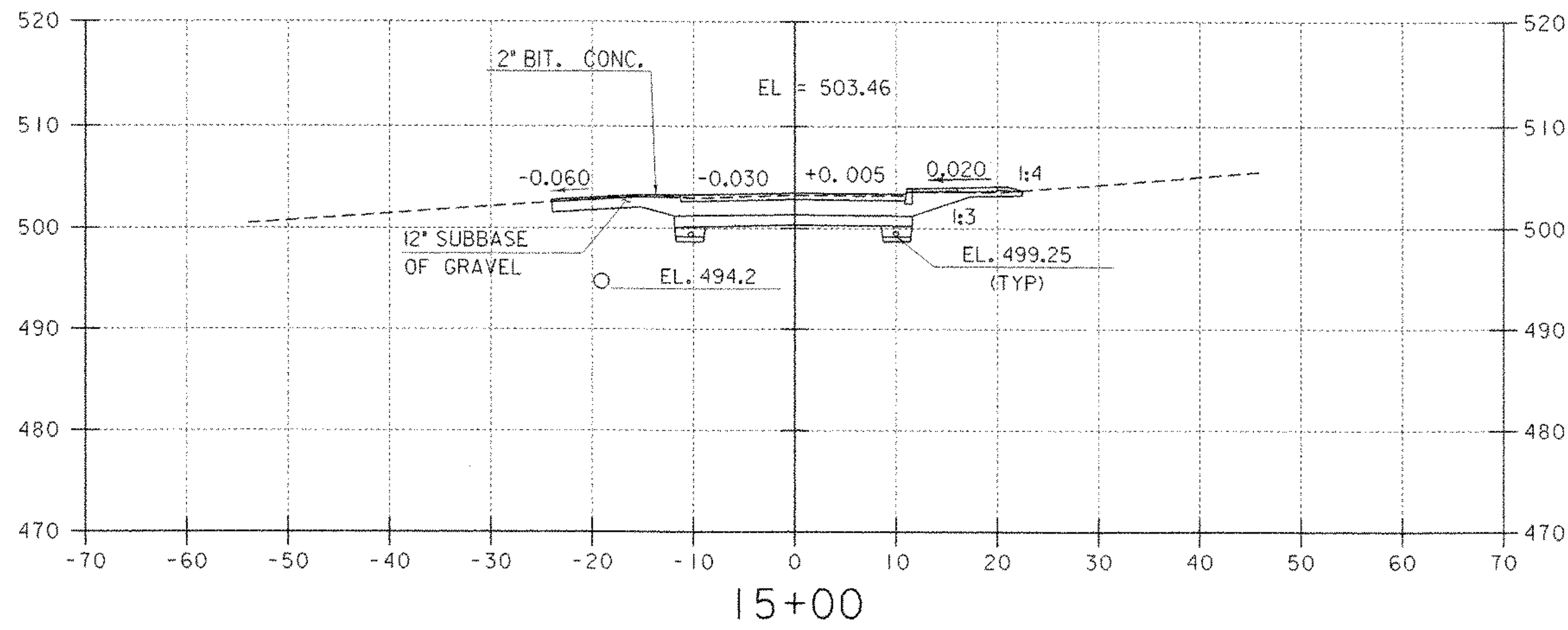
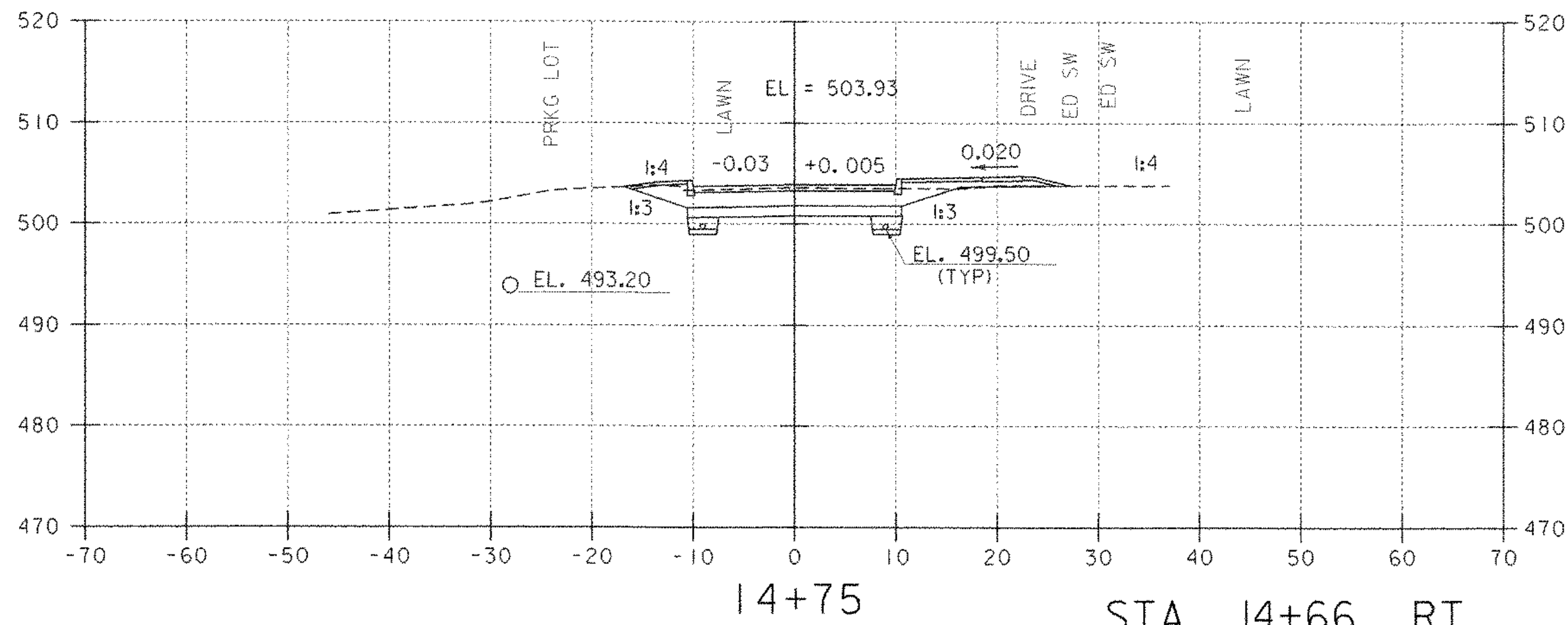


PIPE AT SUR STA 15+18
FOR SECTION
SEE SHEET 62

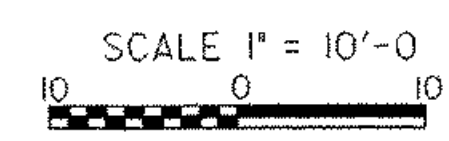
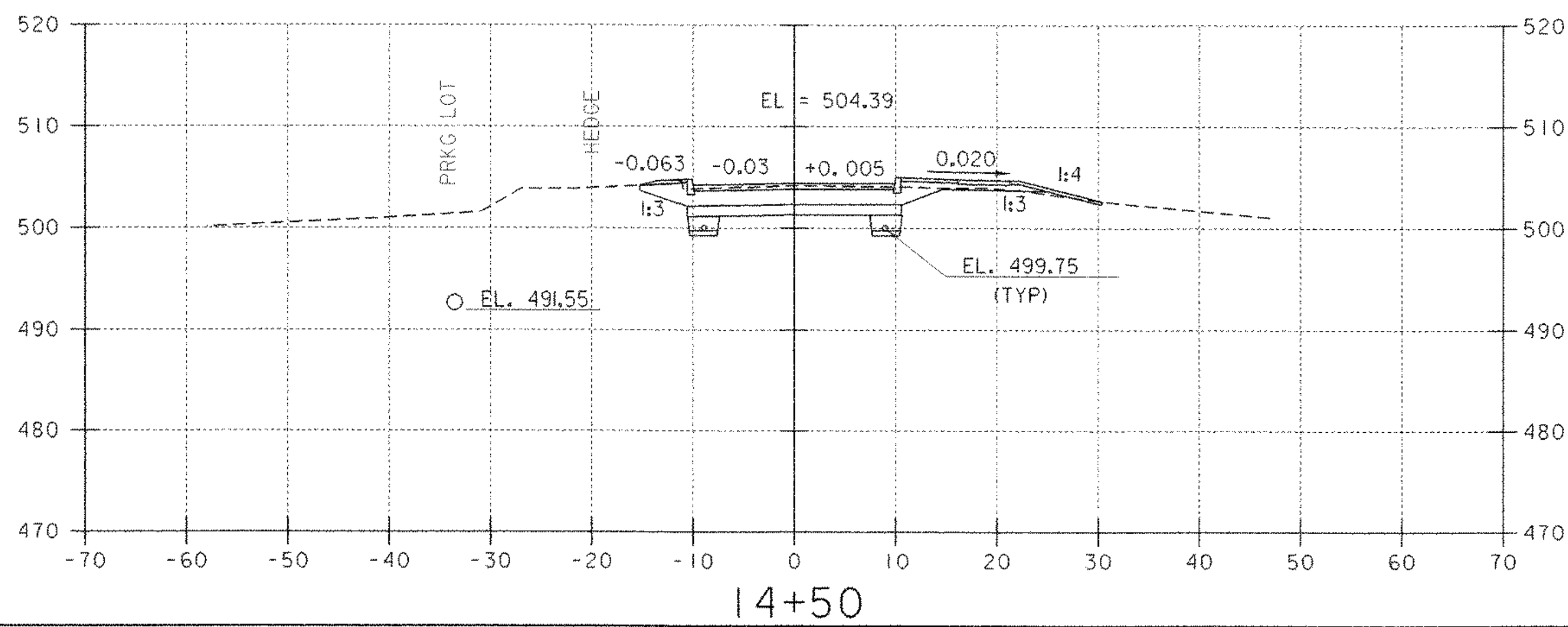
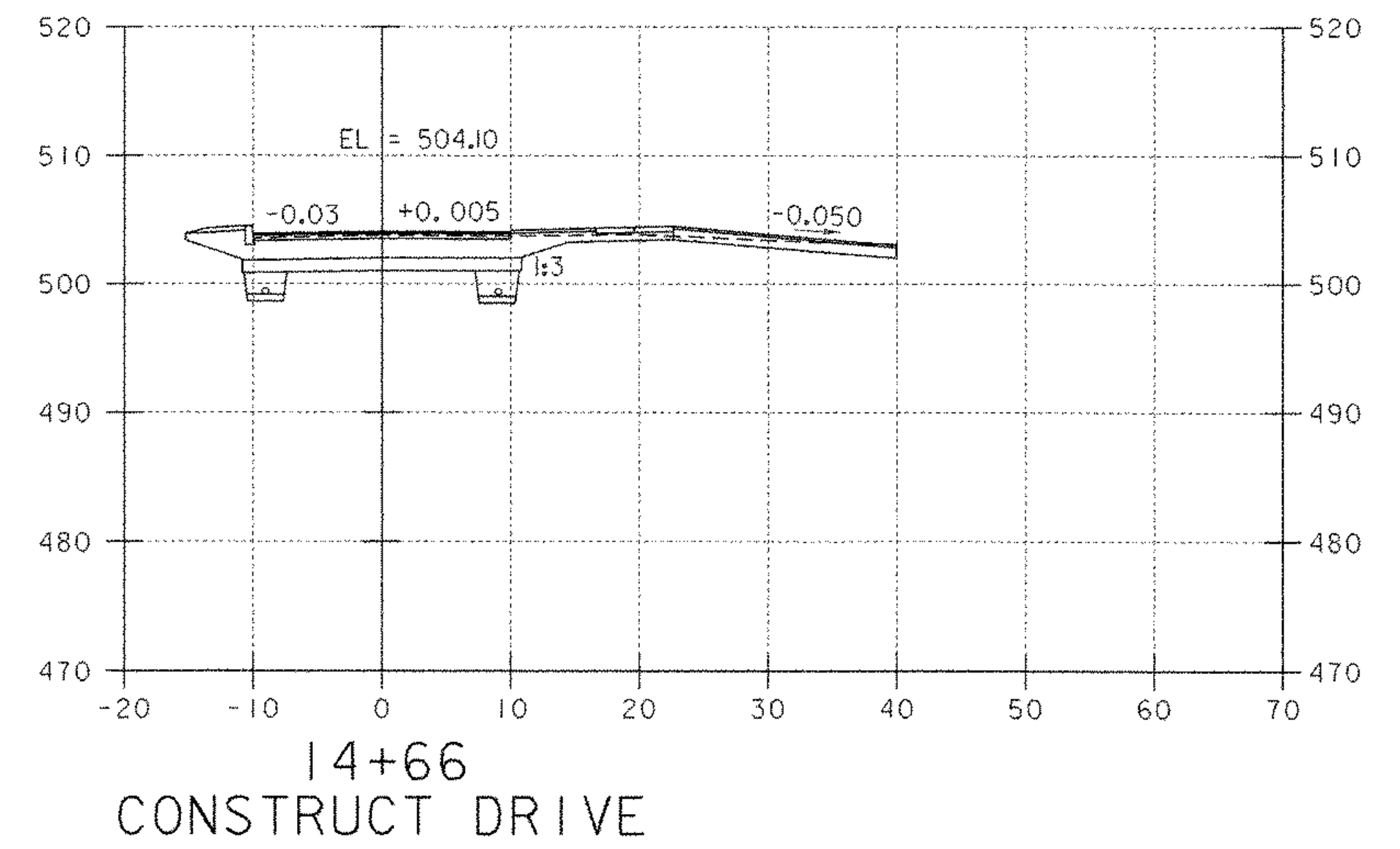
STA 15 + 00 LT
CONSTRUCT DRIVE



STA 15 + 00
END PROJECT
BEGIN APPROACH



STA 14+66 RT
CONSTRUCT DRIVE



SHEET NAME: MAINLINE CROSS SECTIONS	
PROJECT NAME: JOHNSON	HIGHWAY NO.: TH 2
PROJECT NUMBER: BHO 1448(18)	BRIDGE NO.: 6
	OVER: THE LAMOILLE RIVER
FILE NAME: /s/r1/90j067/sj067xs.dgn	PLOT DATE: 02-SEP-2005
PROJECT MANAGER: R. WHITCOMB	DRAWN BY: S. MAGNAN
DESIGNED BY: C. MEUNIER	IPARM NAME: sc067x05.i
BRIDGE SHEET NUMBER:	SHEET 58 OF 73

RAILROAD STREET