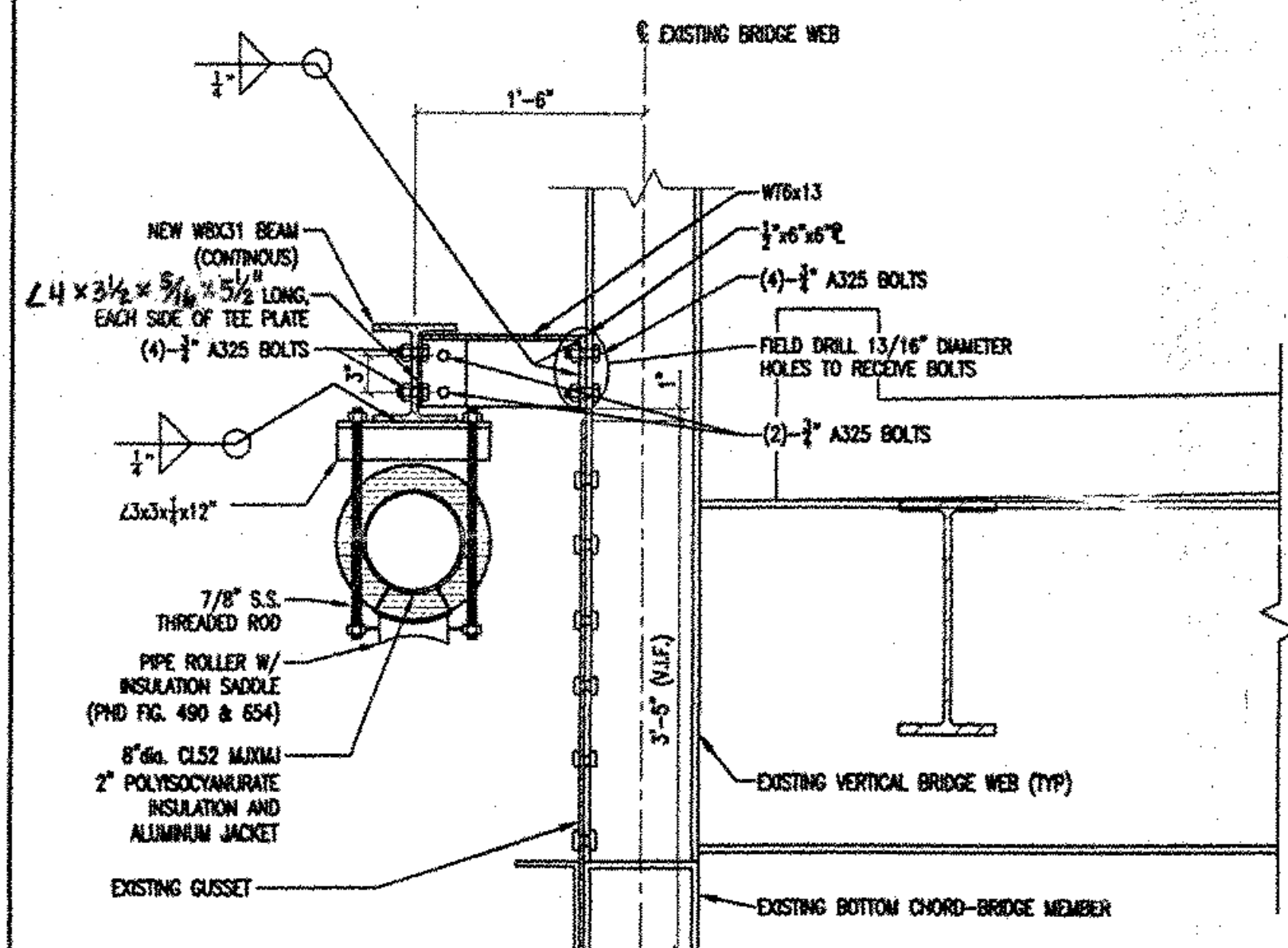


BRIDGE ELEVATION
SCALE: HORIZ = 1/8" = 1'-0"

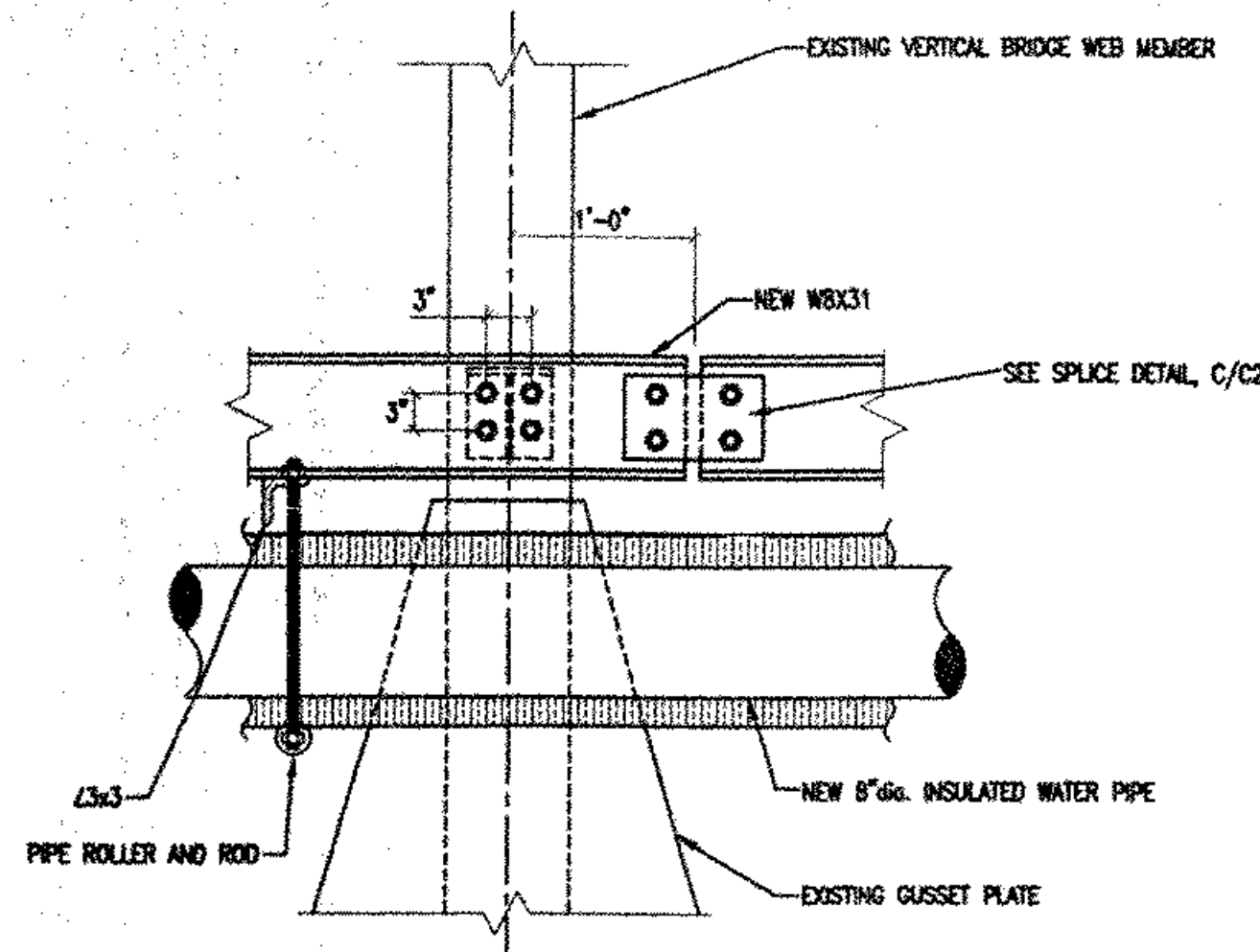
NOTES:

1. TEMPORARY SEWERLINE SUPPORT NOT SHOWN FOR CLARITY.
2. GATE VALVE AND VALVE BOX SHALL BE AMERICAN FLOW CONTROL, CLOW OR EQUAL.

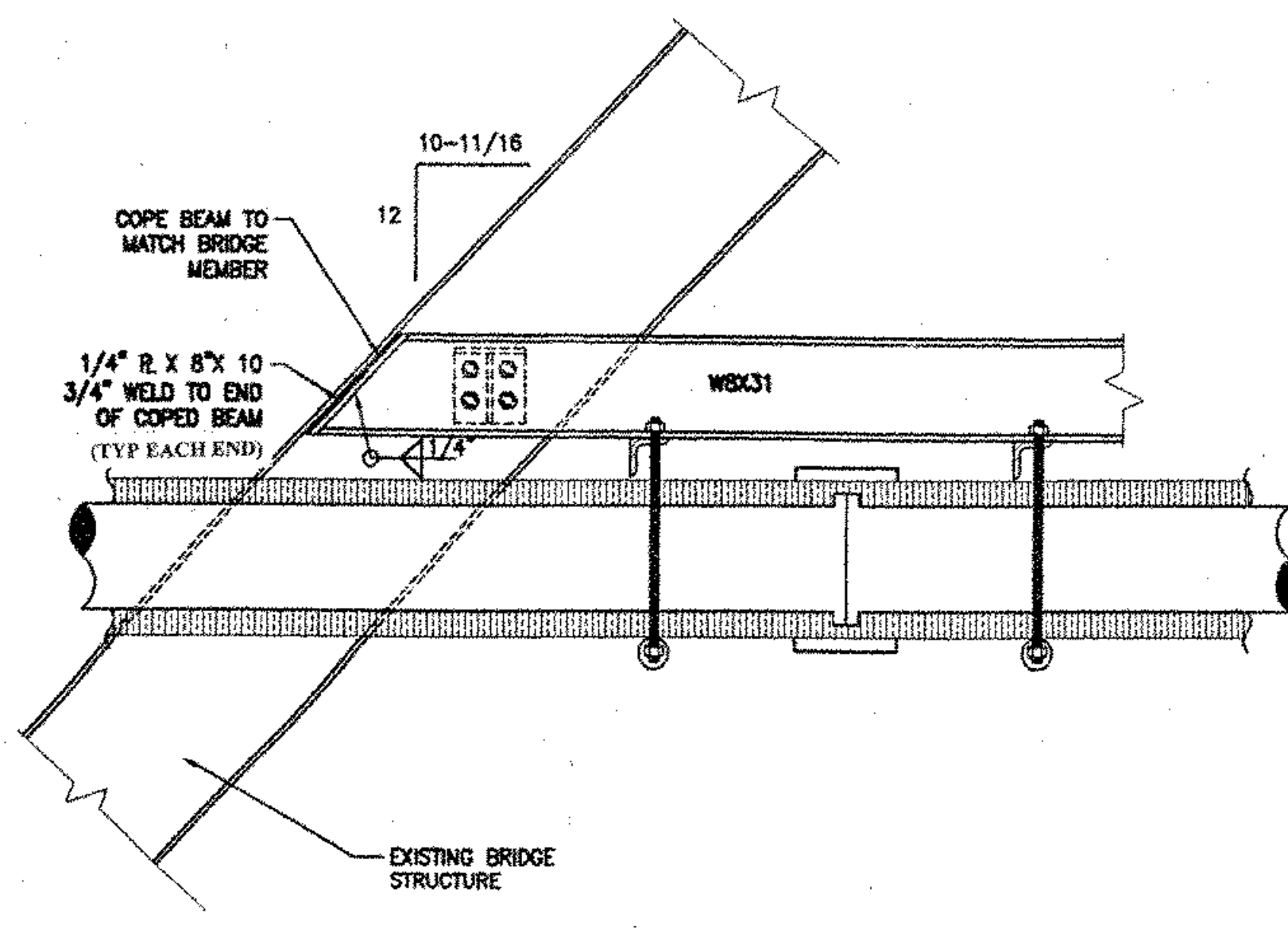


- NOTES:**
1. PAINT W8x13 BEAM, STEEL SUPPORT BRACKETS AND BOLTS PER PAINT SPECIFICATIONS FOR BRIDGE MEMBERS.
 2. BOLTS AT STANDARD 3" C-C GAGE.
 3. DETAIL TYPICAL OF (8) EIGHT LOCATIONS.
 4. PHD REFERS TO PIPE HANGERS & DEVICES CATALOGUE NO.493

A
C2 PIPE SUPPORT SECTION
SCALE: 1" = 1'-0"



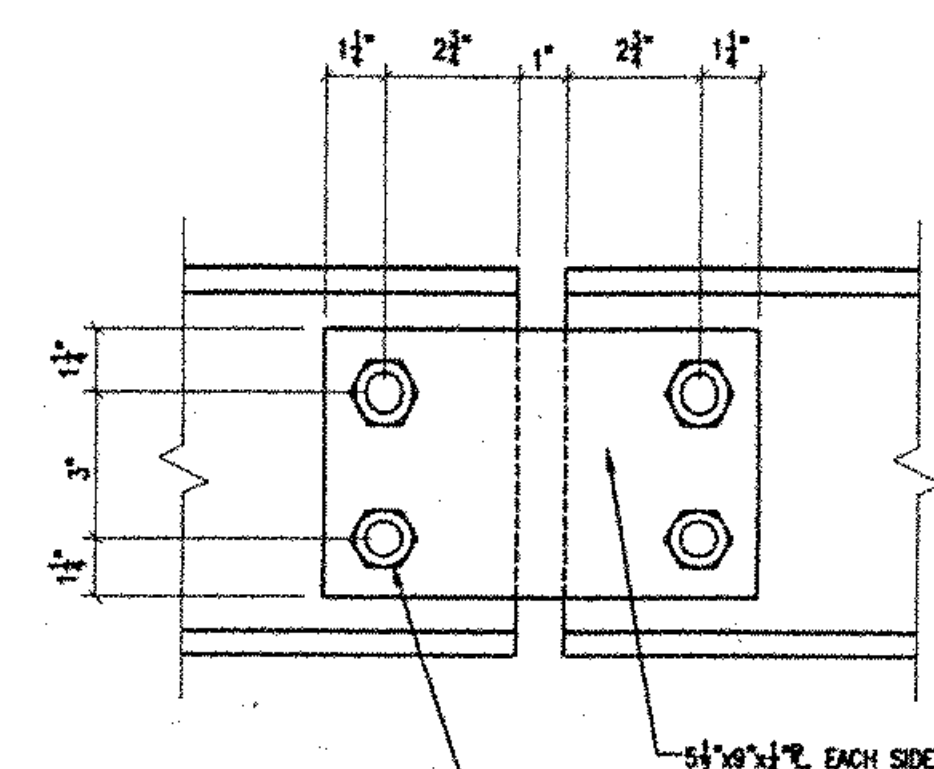
B
C2 PIPE SUPPORT ELEVATION
SCALE: 1" = 1'-0"



C
C2 PIPE SUPPORT ELEVATION
SCALE: 1" = 1'-0"

NOTES:

1. LOCATE PIPE JOINT JUST BEYOND PIPE HANGER AS SHOWN. SUPPORT OTHER END OF PIPE AT CORE THROUGH BRIDGE ABUTMENT.



D
C2 SPLICE DETAIL
SCALE: 3" = 1'-0"

PROJECT NAME: JOHNSON
PROJECT NUMBER: BHO 1448(18)
HIGHWAY NO.: TH 2
BRIDGE NO.: 6
OVER: THE LAMOILLE RIVER
SHEET 51 OF 73



Forcier Aldrich & Associates
Consulting Engineers
6 Market Place, Suite 2
Essex Junction, VT 05452
(802) 879-7733
(802) 879-1742 (Fax)



VILLAGE OF JOHNSON
JOHNSON, VERMONT

RAILROAD STREET BRIDGE AND
UTILITY IMPROVEMENTS

NO.	DATE	REVISION DESCRIPTION	CHECKED

**PROFILE- PROPOSED
WATERLINE
IMPROVEMENTS**

DESIGNED: CGM
DRAWN: JRB
CHECKED: BFA
DATE: APR. 2002
PROJECT NO.: 98013
DRAWING NO.: C2
SHEET 2 OF 4