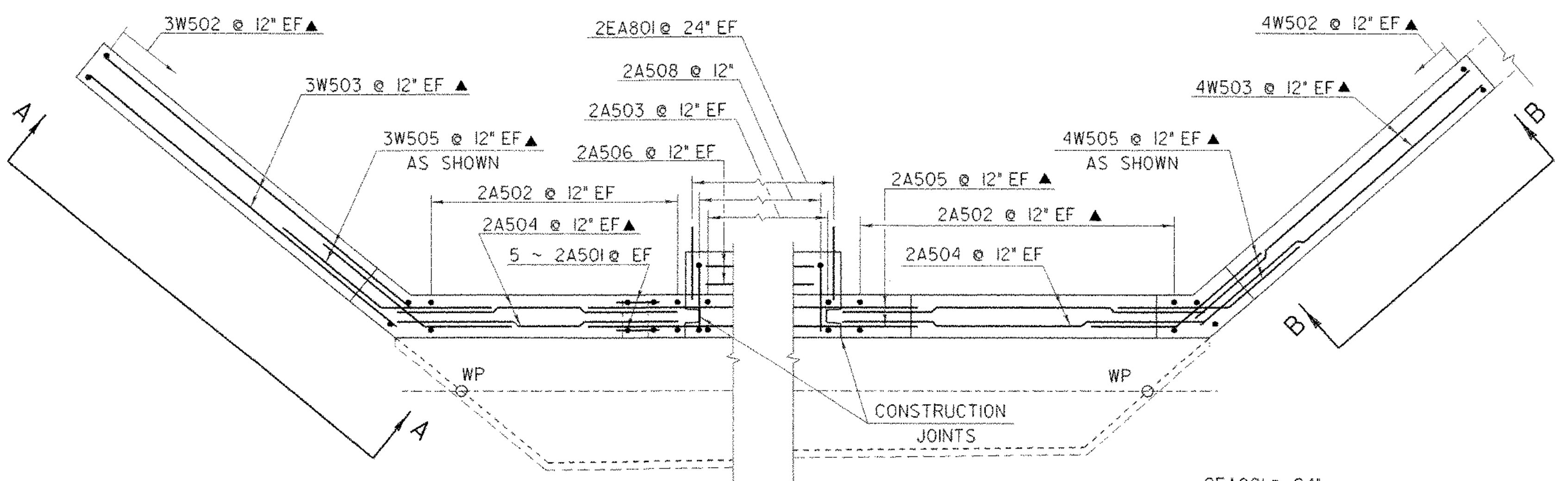
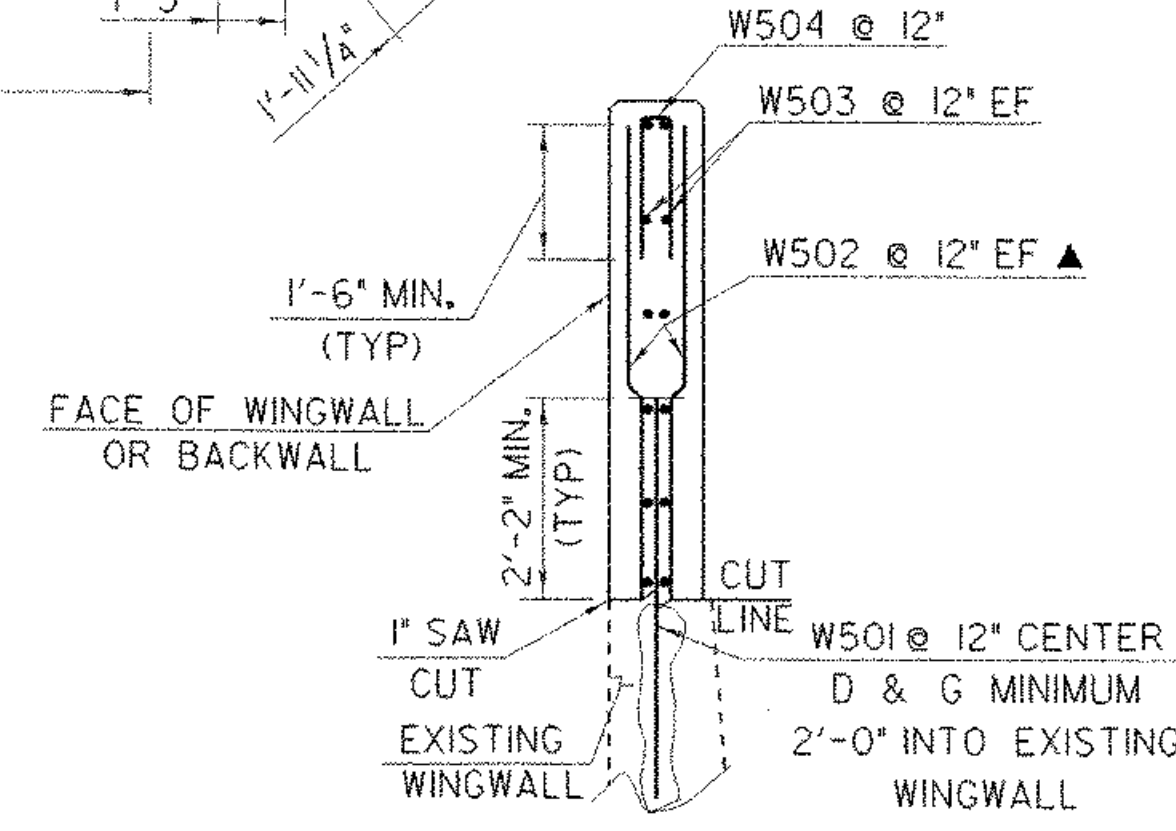


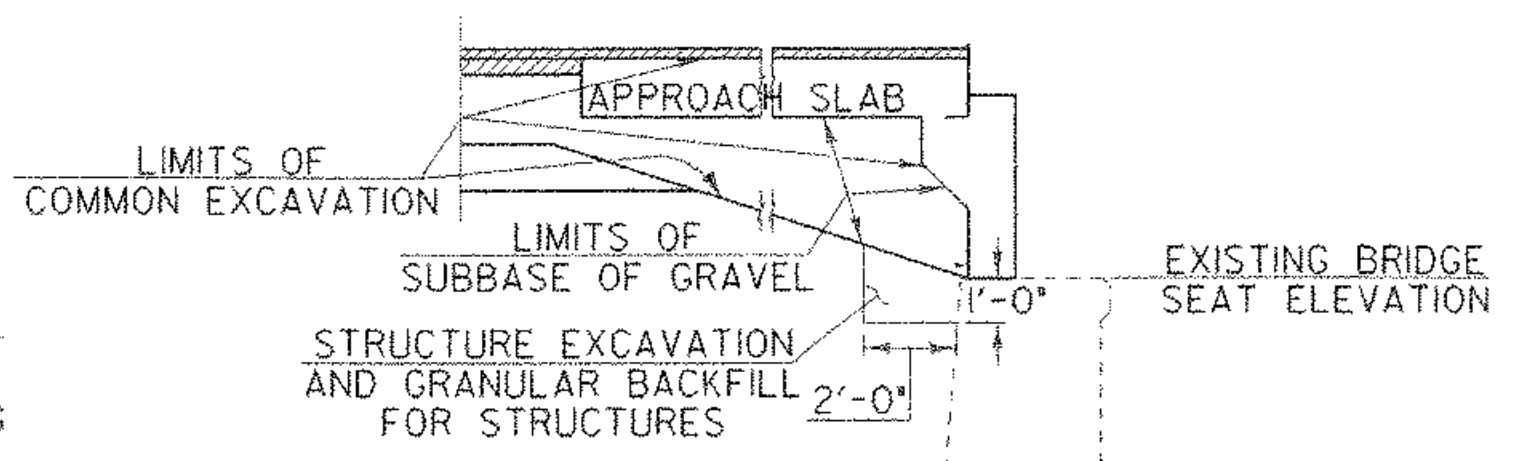
ABUTMENT NO. 2 PLAN
SCALE: 1/4" = 1'-0"



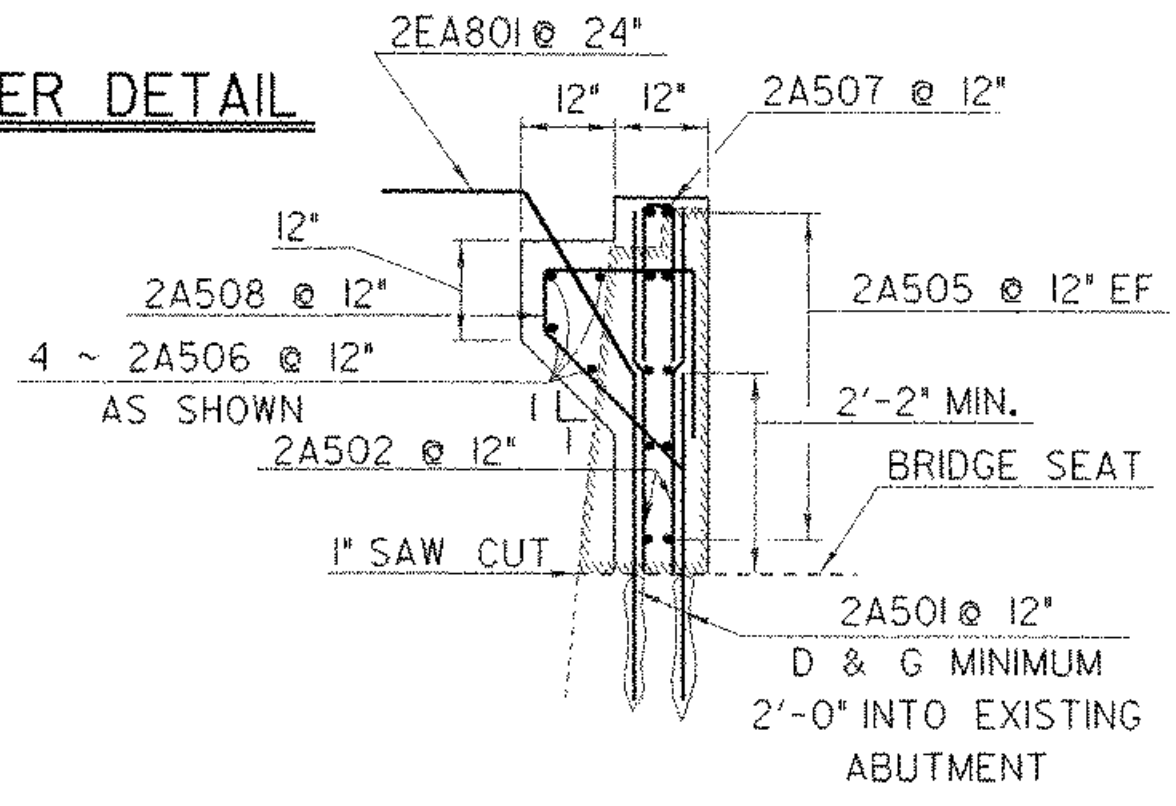
WINGWALL #3 CORNER DETAIL **WINGWALL #4 CORNER DETAIL**
SCALE 1/2" = 1'-0"



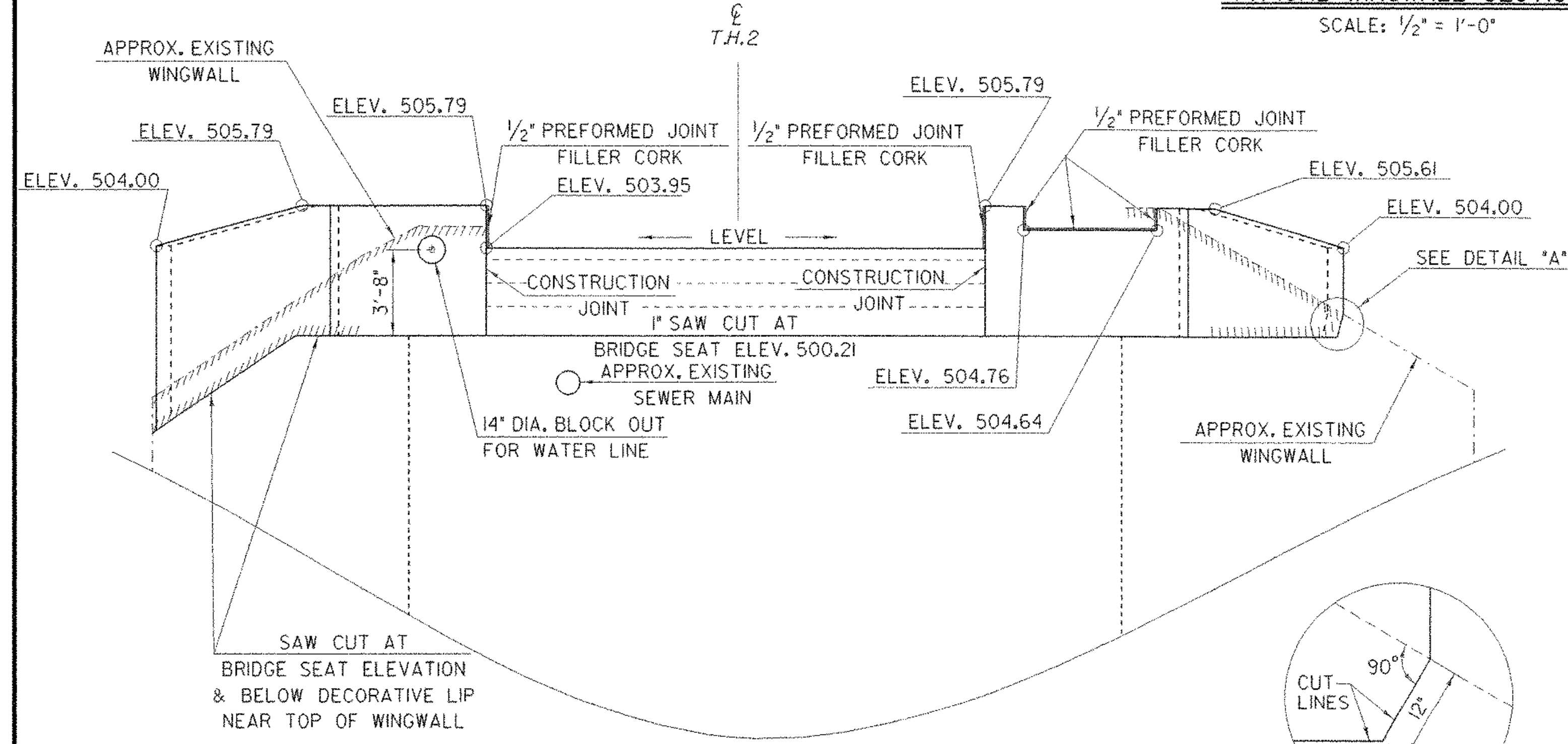
TYPICAL WINGWALL SECTION
SCALE: 1/2" = 1'-0"



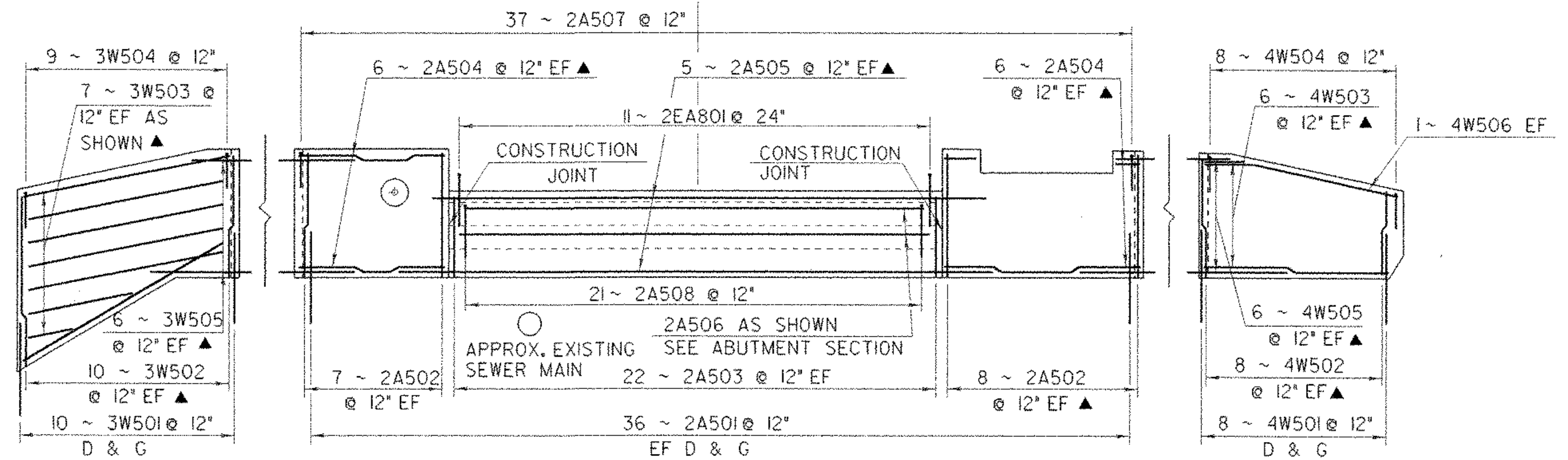
ABUTMENT EXCAVATION DETAILS
(TYPICAL OF BOTH ABUTMENTS)
SCALE: 1/2" = 1'-0"



ABUTMENT NO. 2 SECTION
SCALE: 1/2" = 1'-0"



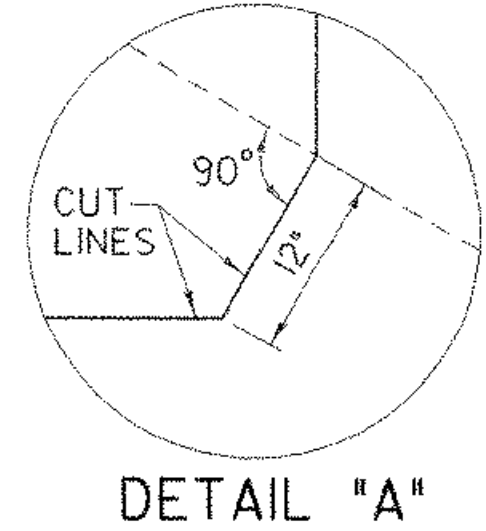
ABUTMENT NO. 2 ELEVATION
SCALE: 1/4" = 1'-0"



SECTION A-A
SCALE: 1/4" = 1'-0"

ABUTMENT NO. 2 ELEVATION
SCALE: 1/4" = 1'-0"

SECTION B-B
SCALE: 1/4" = 1'-0"



DETAIL "A"

NOTE:
NF = NEAR FACE
FF = FAR FACE
EF = EACH FACE
D & G = DRILL AND GROUT
▲ = CUT TO FIT IN FIELD
3" CLR. UNLESS OTHERWISE SPECIFIED ON THE PLANS.
[Hatched Box] = EXISTING CONCRETE TO BE REMOVED

SHEET NAME: ABUTMENT #2	
PROJECT NAME: JOHNSON	HIGHWAY NO.: TH 2
PROJECT NUMBER: BHO 1448(18)	BRIDGE NO.: 6
	OVER: THE LAMOILLE RIVER
FILE NAME: /str1/90j067/sj067sub.dgn	PLOT DATE: 02-SEP-2005
PROJECT MANAGER: R. WHITCOMB	DRAWN BY: D.BONNEAU
DESIGNED BY: C. MEUNIER	IPARM NAME: sc067ab2.1
BRIDGE SHEET NUMBER:	SHEET 44 OF 73