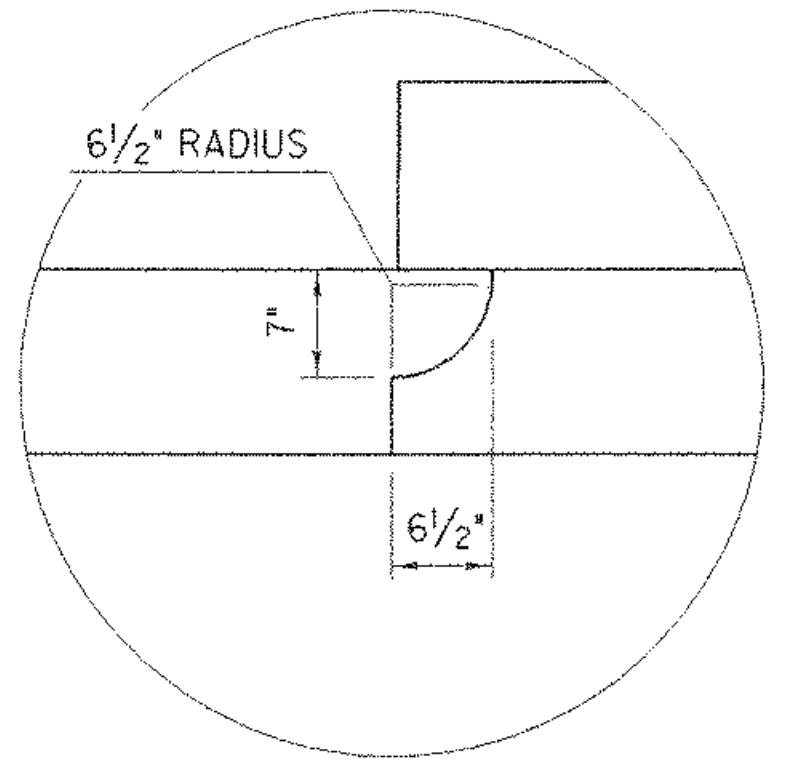
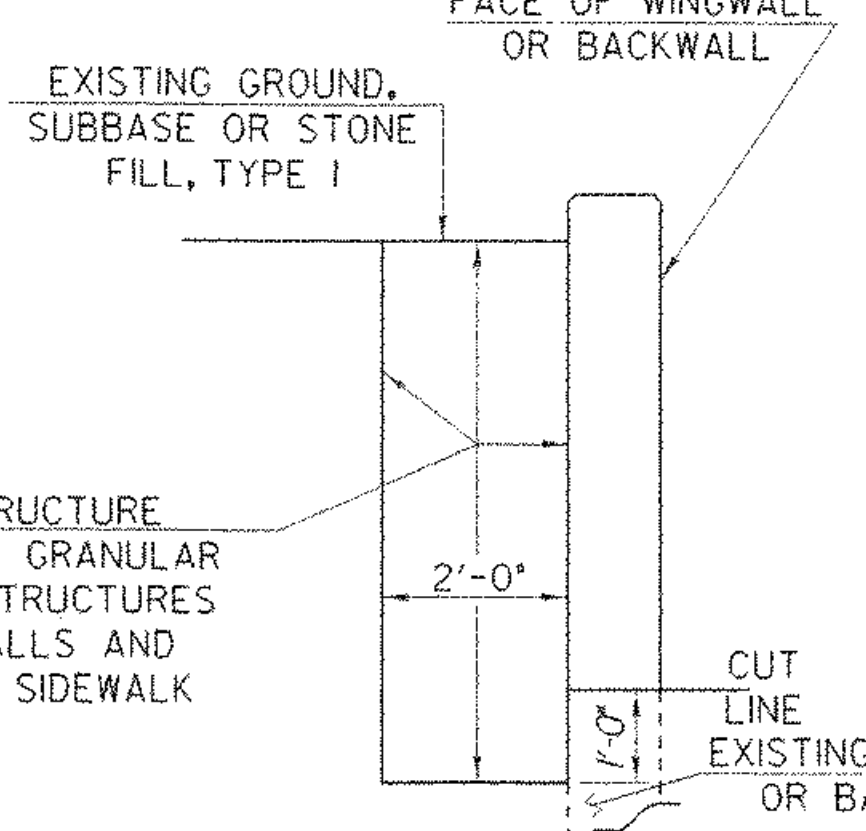


ABUTMENT NO. 1 PLAN

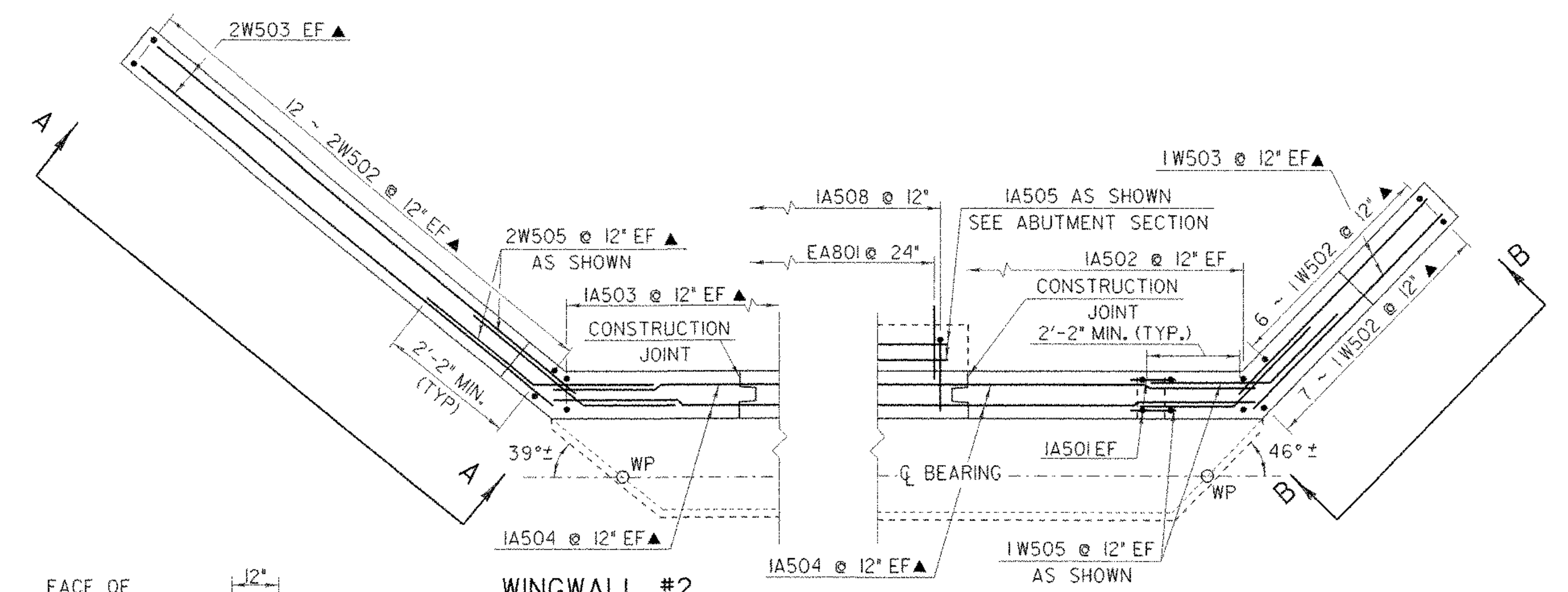
STREAM FLOW →



DETAIL "B"
SCALE: 1/2" = 1'-0"

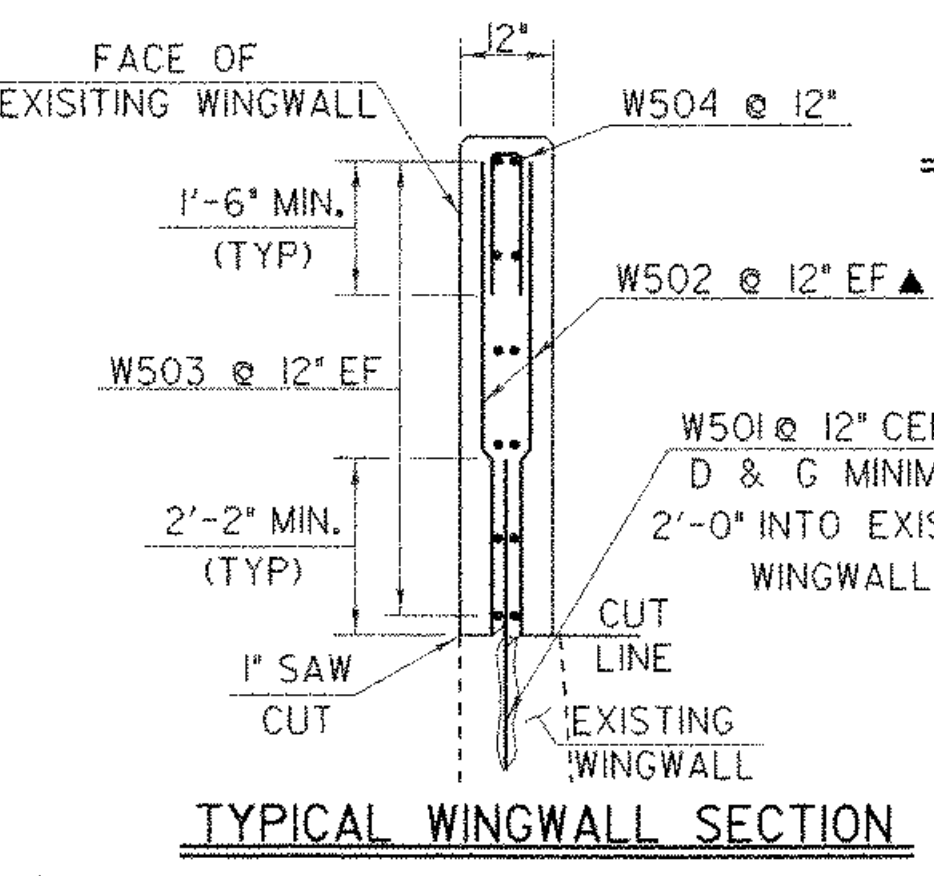


GRANULAR BACKFILL DETAIL
SCALE: 1/2" = 1'-0"

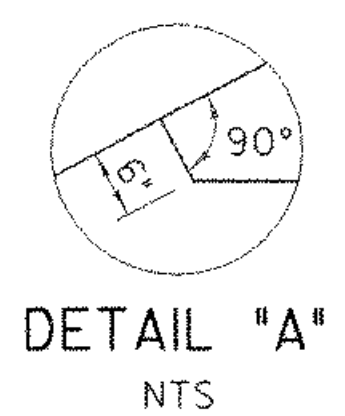


WINGWALL #2 CORNER DETAIL

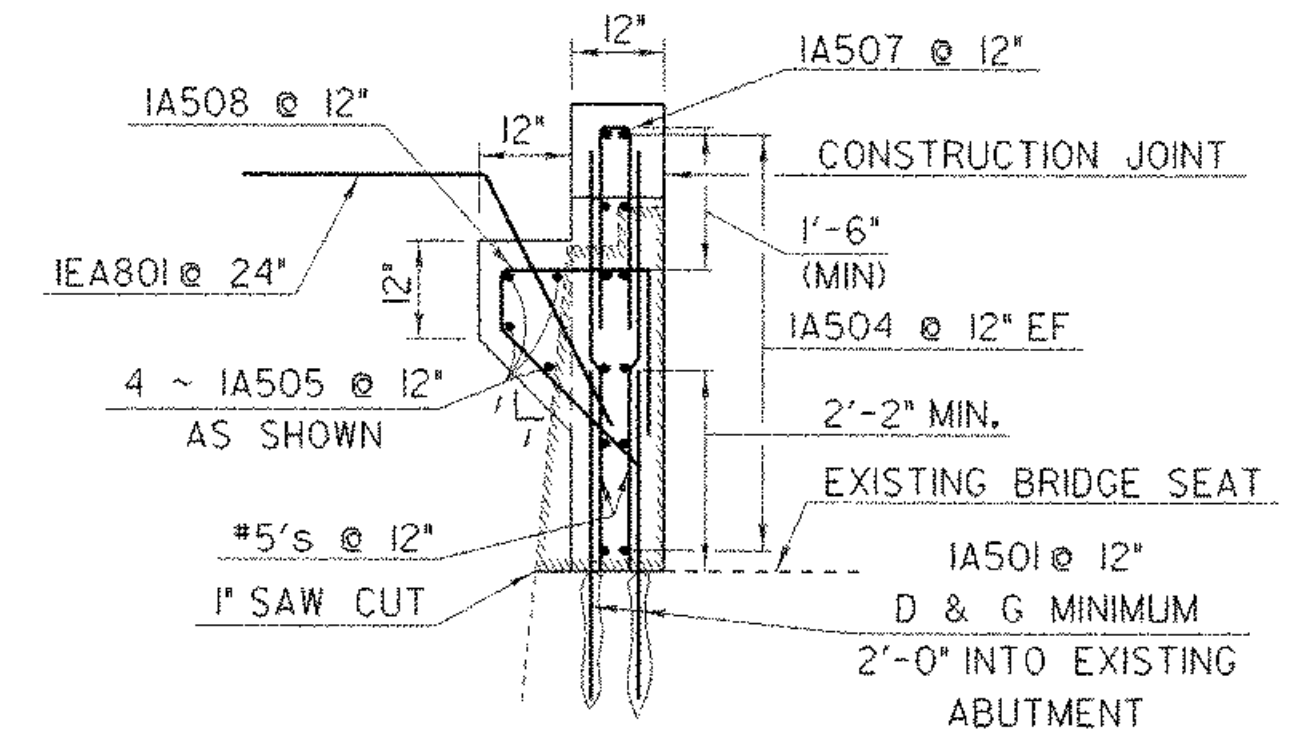
WINGWALL #1 CORNER DETAIL
SCALE: 1/2" = 1'-0"



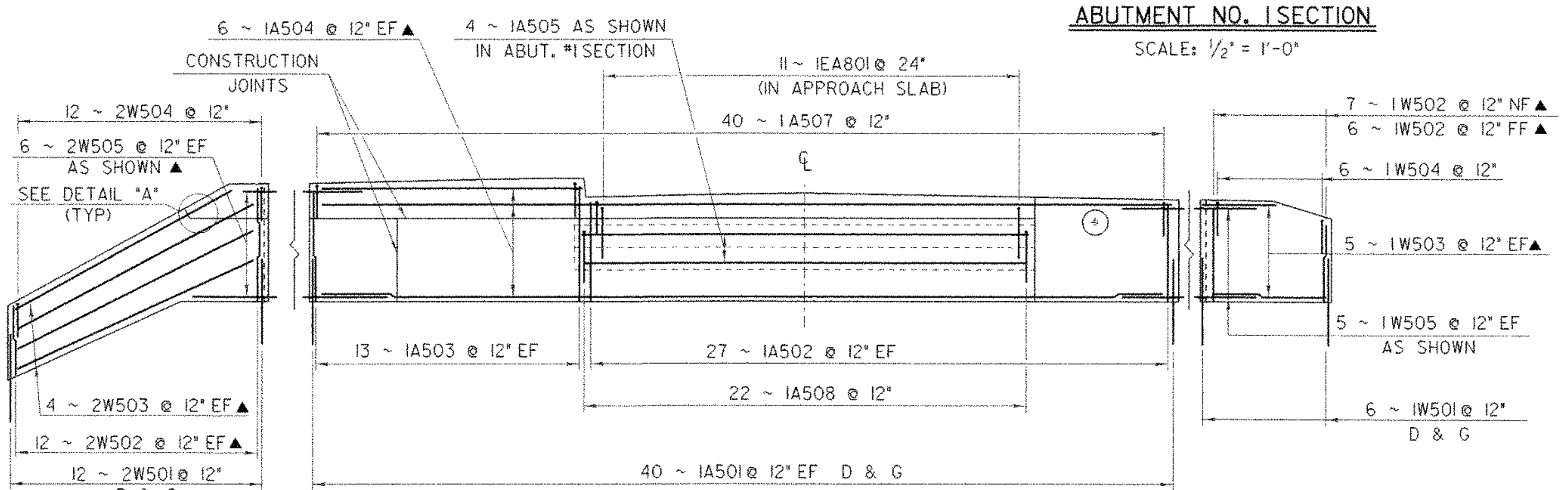
TYPICAL WINGWALL SECTION
SCALE: 1/2" = 1'-0"



DETAIL "A"
NTS



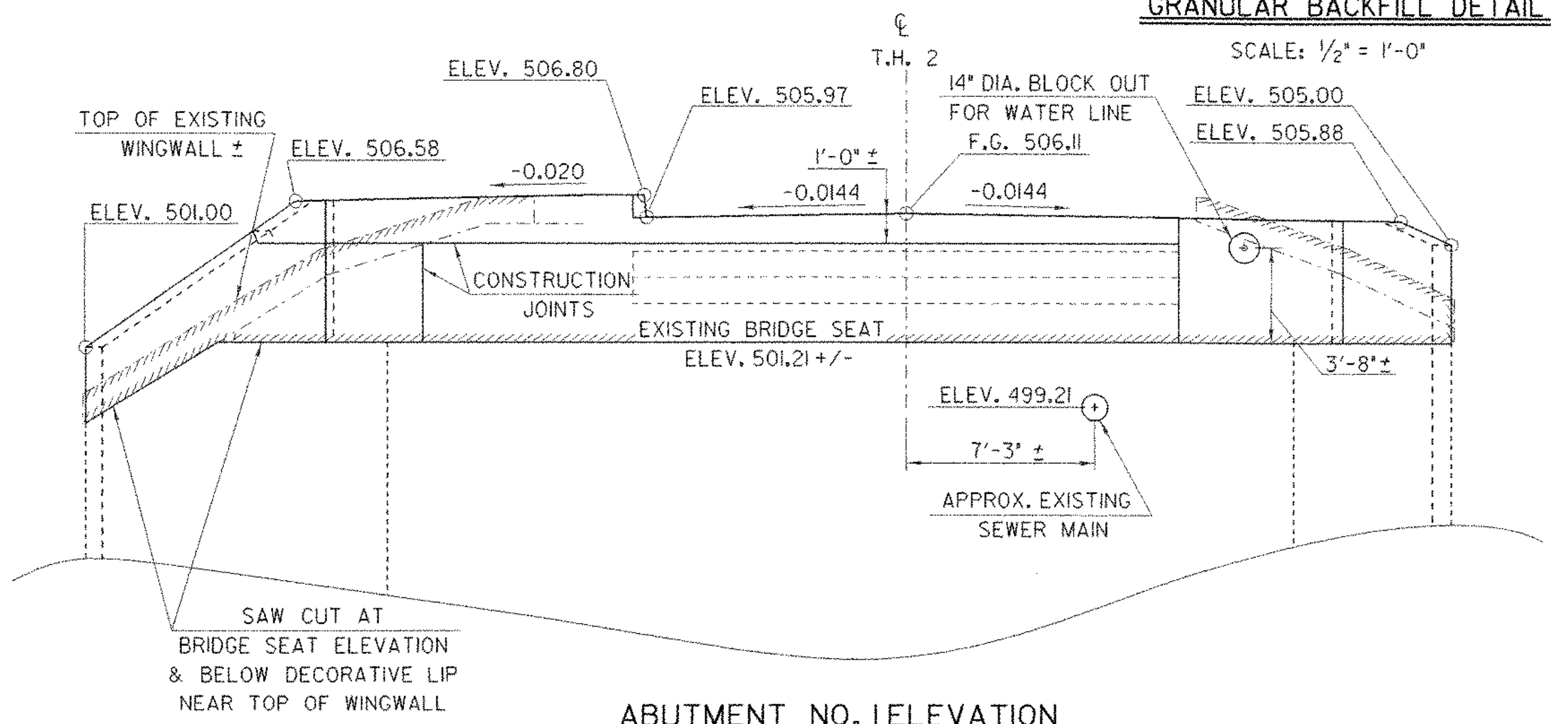
ABUTMENT NO. 1 SECTION
SCALE: 1/2" = 1'-0"



WINGWALL #2 SECTION A-A

ABUTMENT NO. 1 ELEVATION

WINGWALL #1 SECTION B-B



ABUTMENT NO. 1 ELEVATION



SCALE 1/4" = 1'-0"
1 0 2 4 6

- NOTE:**
- NF = NEAR FACE
 - FF = FAR FACE
 - EF = EACH FACE
 - D & G = DRILL AND GROUT
 - ▲ = CUT TO FIT IN FIELD
 - 3' CLR. UNLESS OTHERWISE SPECIFIED ON THE PLANS.
 - EXISTING CONCRETE TO BE REMOVED

SHEET NAME: ABUTMENT #1	
PROJECT NAME: JOHNSON	HIGHWAY NO.: TH 2
PROJECT NUMBER: BHO 1448(18)	BRIDGE NO.: 6
	OVER: THE LAMOILLE RIVER
FILE NAME: /s+ri/90j067/sj067sub.dgn	PLOT DATE: 02-SEP-2005
PROJECT MANAGER: R. WHITCOMB	DRAWN BY: D. BONNEAU
DESIGNED BY: C. MEUNIER	IPARM NAME: sc067abl1
BRIDGE SHEET NUMBER:	SHEET 43 OF 73