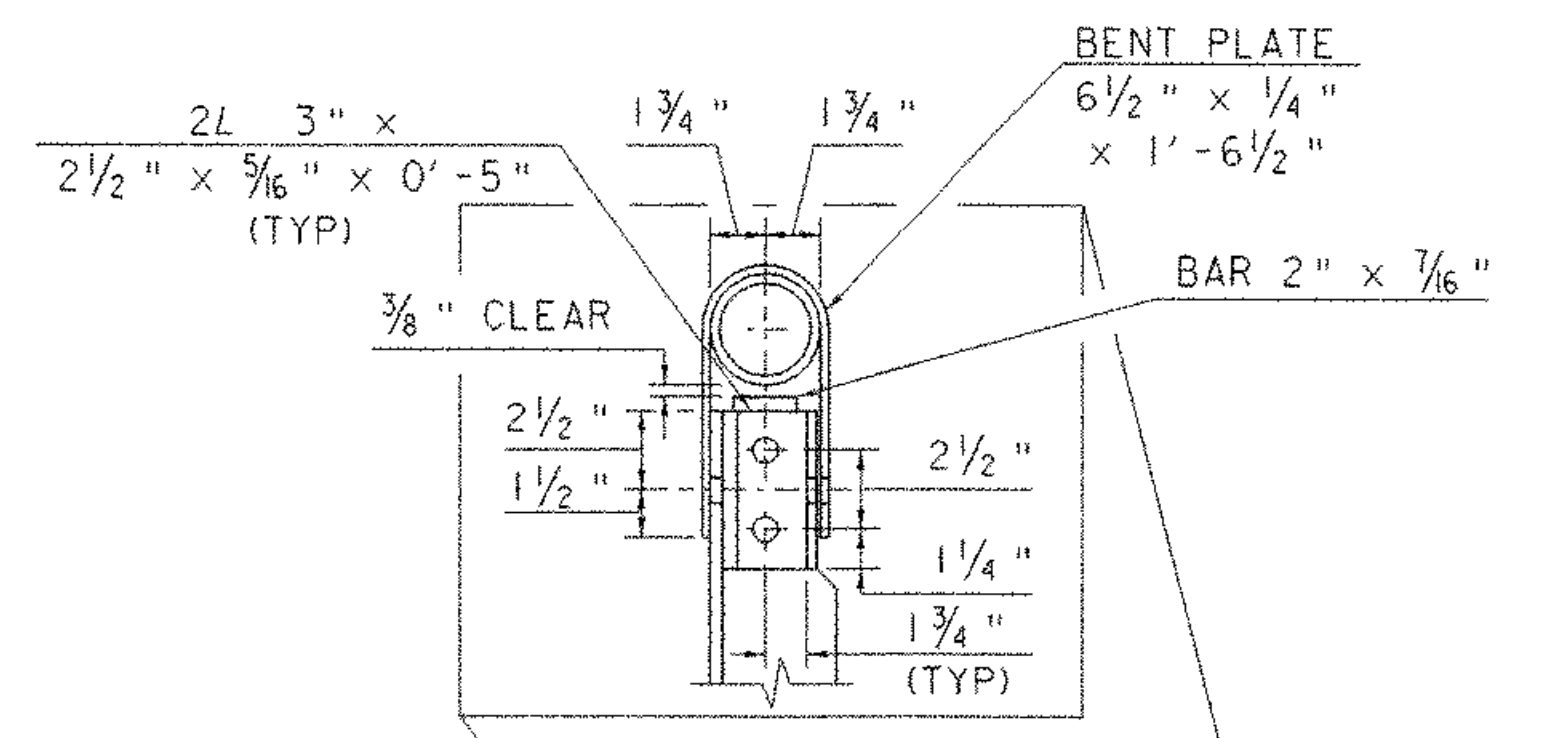
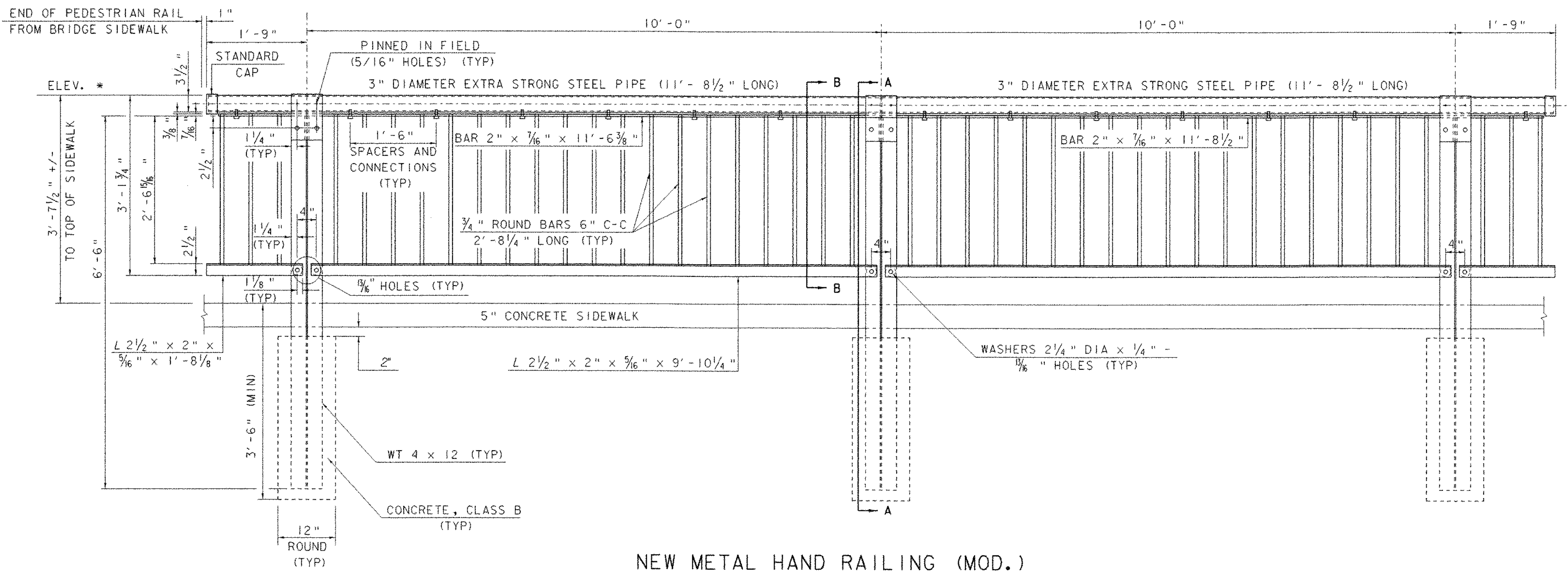


**SECTION B-B**  
SCALE: 1" = 1'-0"



**SECTION A-A**  
SCALE: 1" = 1'-0"



**NEW METAL HAND RAILING (MOD.)**  
**STATIONS 14+13 - 14+34 RT**  
SCALE: 1" = 1'-0"

STATIONING  
→

\* MATCH ELEVATION OF PEDESTRIAN RAILING AT BRIDGE END

SHEET NAME: METAL HAND RAIL DETAILS	
PROJECT NAME: JOHNSON	HIGHWAY NO.: TH 2
PROJECT NUMBER: BHO 1448(18)	BRIDGE NO.: 6
	OVER: THE LAMOILLE RIVER
FILE NAME: /str1/90j067/sj067ral.dgn	PLOT DATE: 02-SEP-2005
PROJECT MANAGER: R. WHITCOMB	DRAWN BY: J.GILMORE
DESIGNED BY: C. CARLSON	IPARM NAME: sc067ped.f
BRIDGE SHEET NUMBER:	SHEET 40(b) OF 73