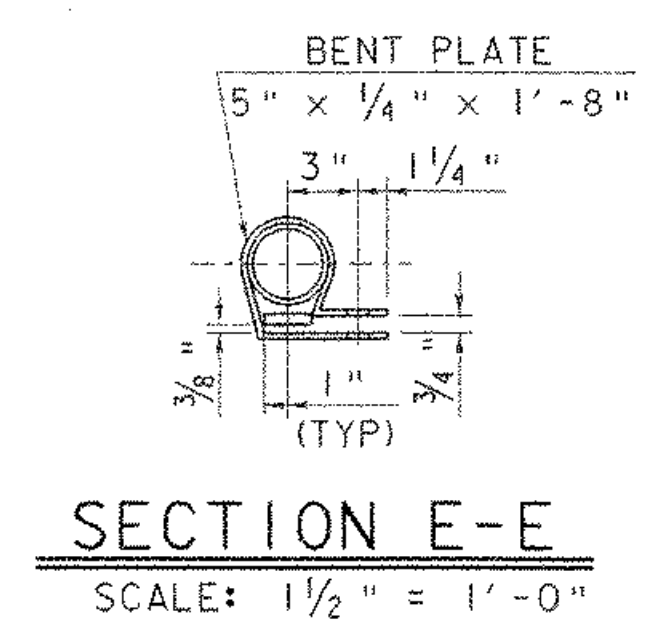
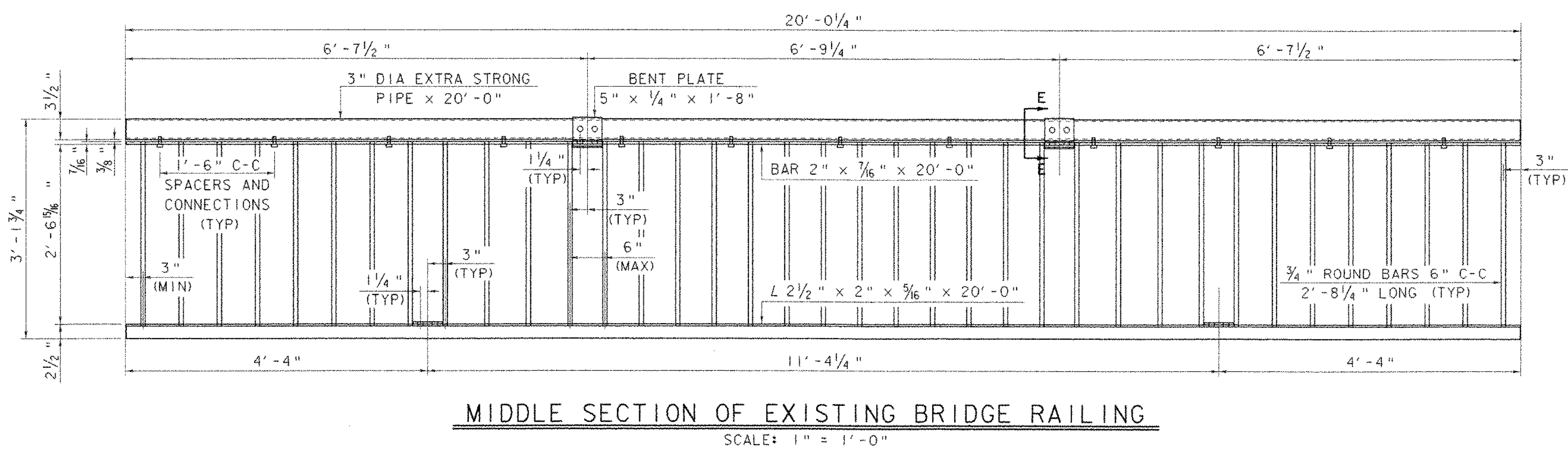


SEE REFERENCE SHEET 72 FOR ADDITIONAL INFORMATION ON EXISTING RAILING LAYOUT



NOTE: THE DETAILS ON THIS SHEET ARE SHOWN TO PROVIDE INFORMATION TO THE FABRICATOR FOR ANY MEMBERS IDENTIFIED FOR REPLACEMENT.

SHEET NAME: <b>SIDEWALK SPINDLES</b>	
PROJECT NAME: <b>JOHNSON</b>	HIGHWAY NO.: <b>TH 2</b>
PROJECT NUMBER: <b>BHO 1448(I8)</b>	BRIDGE NO.: <b>6</b>
	OVER: <b>THE LAMOILLE RIVER</b>
FILE NAME: /str1/90j067/sj067sdw.dgn	PLOT DATE: <b>02-SEP-2005</b>
PROJECT MANAGER: <b>R. WHITCOMB</b>	DRAWN BY: <b>J. GILMORE</b>
DESIGNED BY: <b>C. MEUNIER</b>	IPARM NAME: <b>sc067sws.1</b>
BRIDGE SHEET NUMBER:	SHEET <b>37</b> OF <b>73</b>