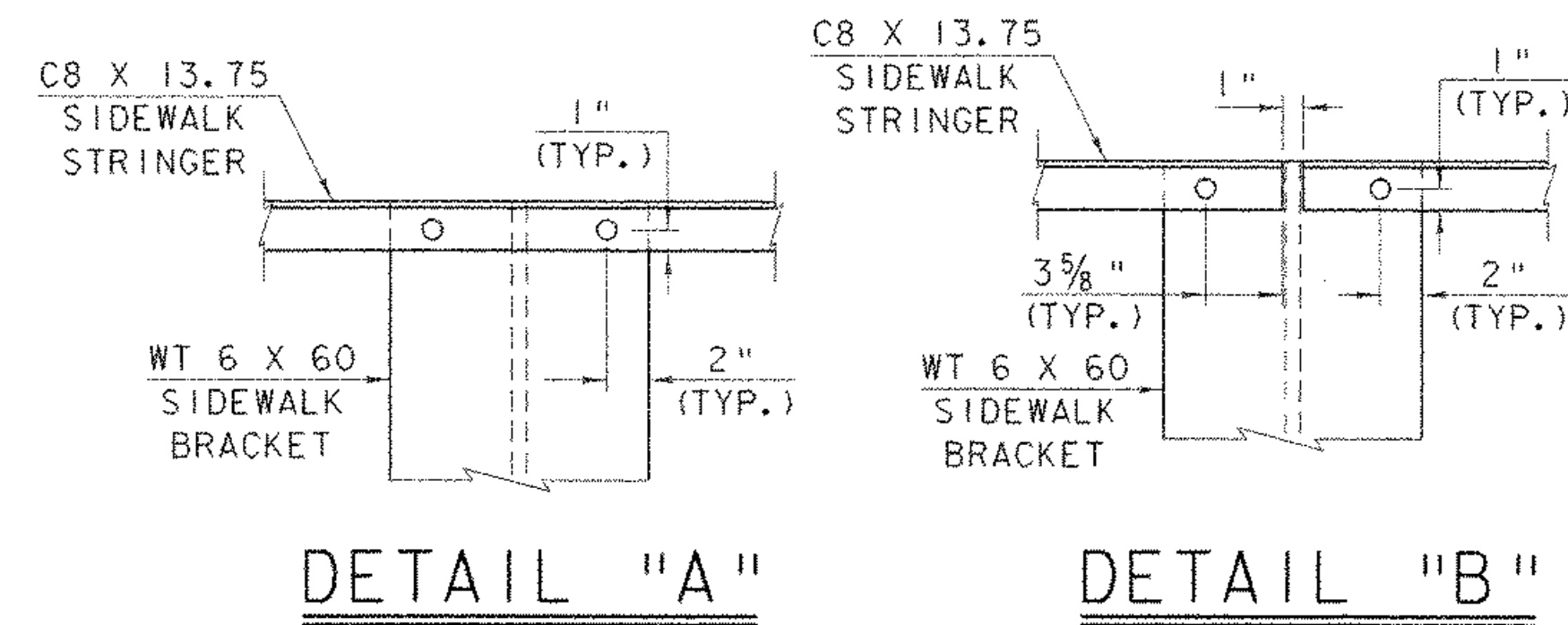


SIDEWALK FRAMING PLAN

HORIZONTAL SCALE: $\frac{3}{16}'' = 1'-0''$
 VERTICAL SCALE: $\frac{3}{4}'' = 1'-0''$



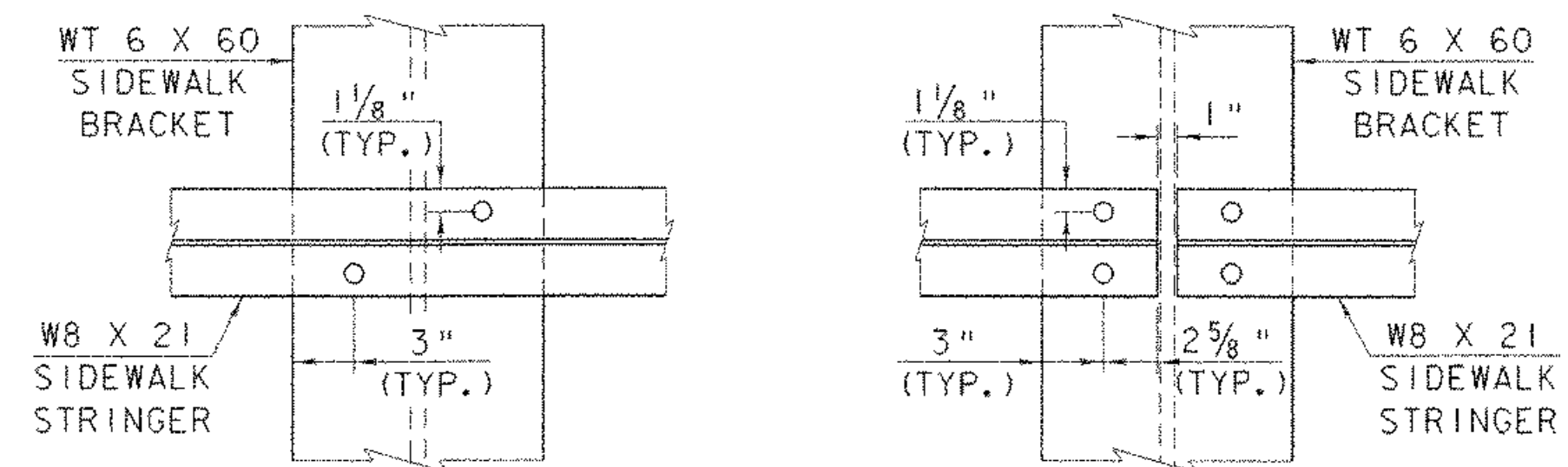
DETAIL "A"

DETAIL "B"

ALL CONNECTIONS BETWEEN THE SIDEWALK BRACKET AND STRINGERS SHALL BE MADE WITH $\frac{7}{8}''$ DIA. AASHTO M164, TYPE I BOLTS IN $\frac{5}{16}''$ DIA. HOLES.

C8 X 13.75 SIDEWALK STRINGER BOLTING DETAILS

SCALE: $1\frac{1}{2}'' = 1'-0''$



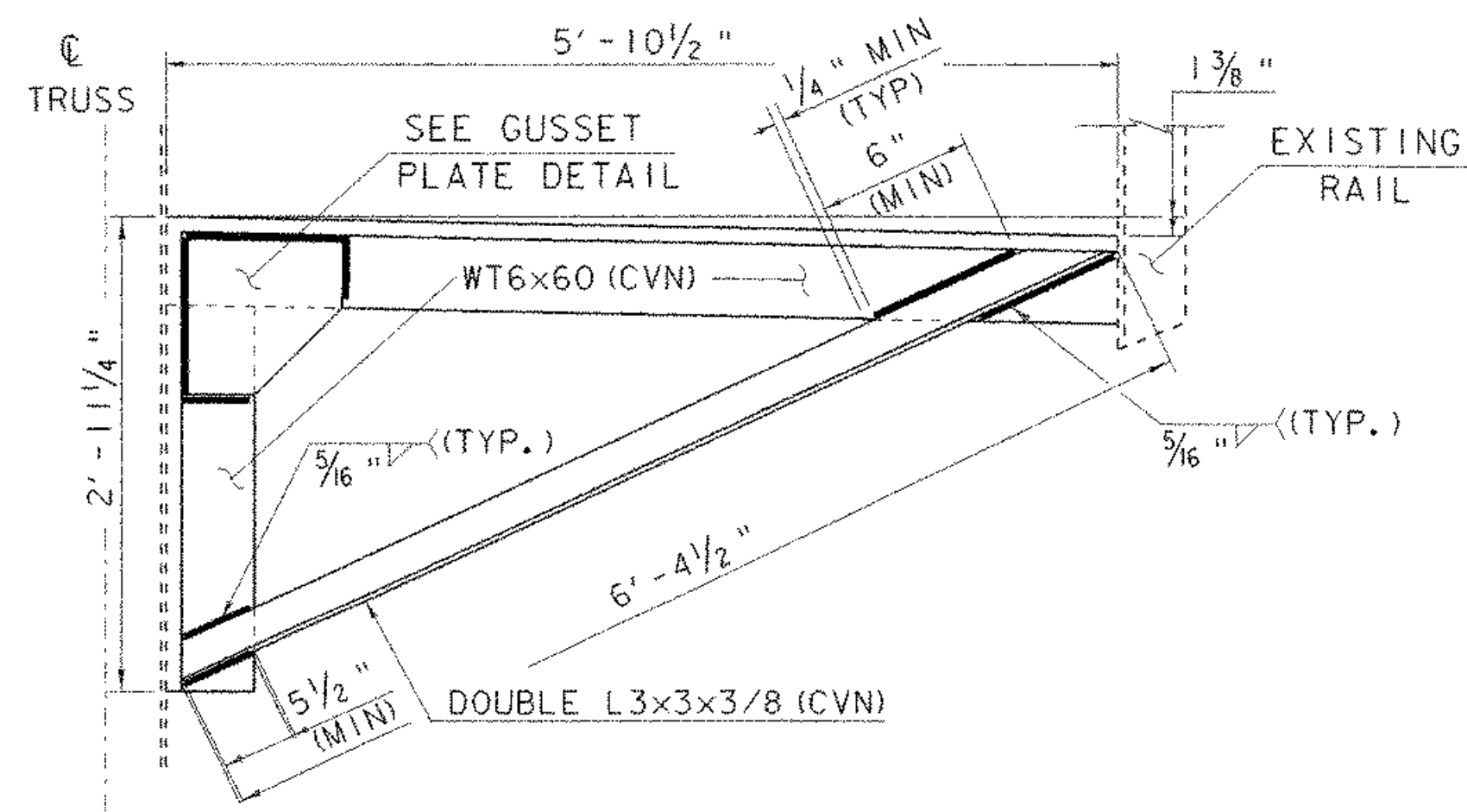
DETAIL "C"

DETAIL "D"

ALL CONNECTIONS BETWEEN THE SIDEWALK BRACKET AND STRINGERS SHALL BE MADE WITH $\frac{7}{8}''$ DIA. AASHTO M164, TYPE I BOLTS IN $\frac{5}{16}''$ DIA. HOLES.

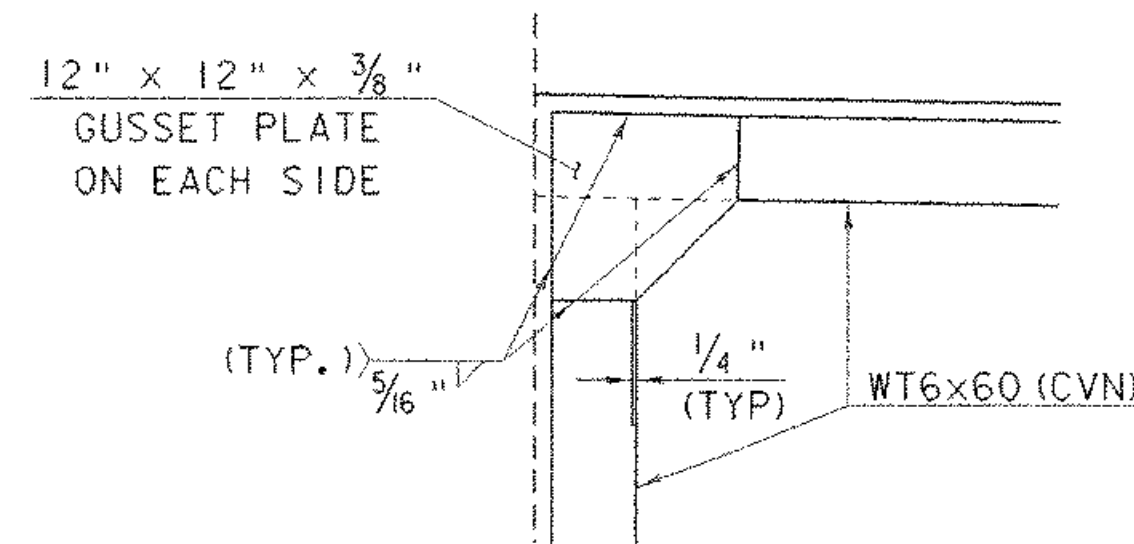
W8 X 21 SIDEWALK STRINGER BOLTING DETAILS

SCALE: $1\frac{1}{2}'' = 1'-0''$



SIDEWALK BRACKET DETAIL

SCALE: $1'' = 1'-0''$



GUSSET PLATE DETAIL

SCALE: $1'' = 1'-0''$

SHEET NAME: SIDEWALK STRINGER DETAILS	
PROJECT NAME: JOHNSON	HIGHWAY NO.: TH 2
PROJECT NUMBER: BHO 1448(18)	BRIDGE NO.: 6
	OVER: THE LAMOILLE RIVER
FILE NAME: /str1/90j067/sj067sdw.dgn	PLOT DATE: 02-SEP-2005
PROJECT MANAGER: R. WHITCOMB	DRAWN BY: J.GILMORE
DESIGNED BY: C. MEUNIER	IPARM NAME: sc067ssd.1
BRIDGE SHEET NUMBER:	SHEET 36(d) OF 73