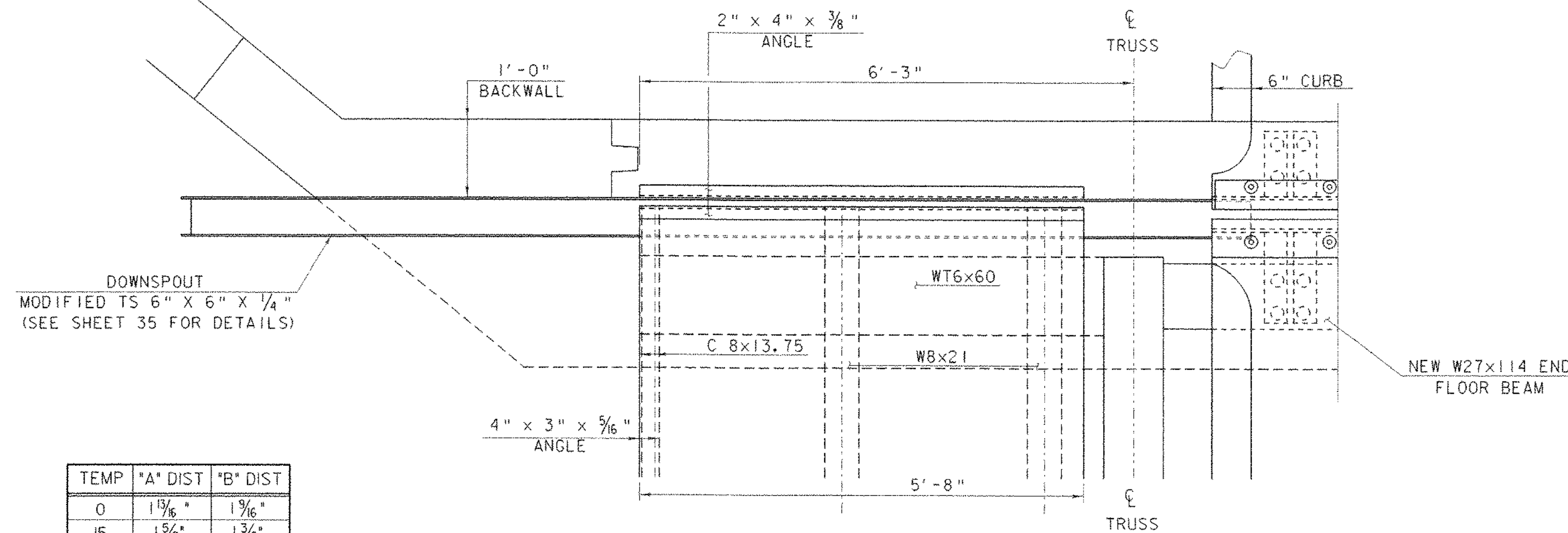


NOTES

1. DETAILS ON THIS SHEET ARE FOR THE ITEM 516.10 "BRIDGE EXPANSION JOINT (SIDEWALK)."
2. THE FINAL FINISH OF THE EXPANSION DEVICE SHALL BE COVERED DURING THE PLACEMENT OF ADJACENT CONCRETE.
3. THE STEEL COMPONENTS SHALL BE AASHTO M-270 GRADE 36 OR GRADE 50, GALVANIZED OR METALIZED AS PER SUBSECTION 506.15 (b) OR (c).
4. THE ITEM 516.10 "BRIDGE EXPANSION JOINT (SIDEWALK)" SHALL INCLUDE THE FABRICATION AND ERECTION OF THE COMPLETE JOINT ASSEMBLY INCLUDING ALL ANGLES, WELDED STUDS OR RODS, AND ANY OTHER MISCELLANEOUS MATERIAL NECESSARY TO INSTALL THE JOINT.
5. COAT CONCRETE CONTACT SURFACES WITH EPOXY BONDING COMPOUND MEETING THE REQUIREMENTS OF SUBSECTION 719.02. PAYMENT SHALL BE INCLUDED IN THE UNIT BID PRICE FOR ITEM 516.10 "BRIDGE EXPANSION JOINT (SIDEWALK)."
6. POLYURETHANE JOINT SEALER SHALL BE INCIDENTAL TO THE ITEM "CONCRETE HIGH PERFORMANCE, CLASS B"

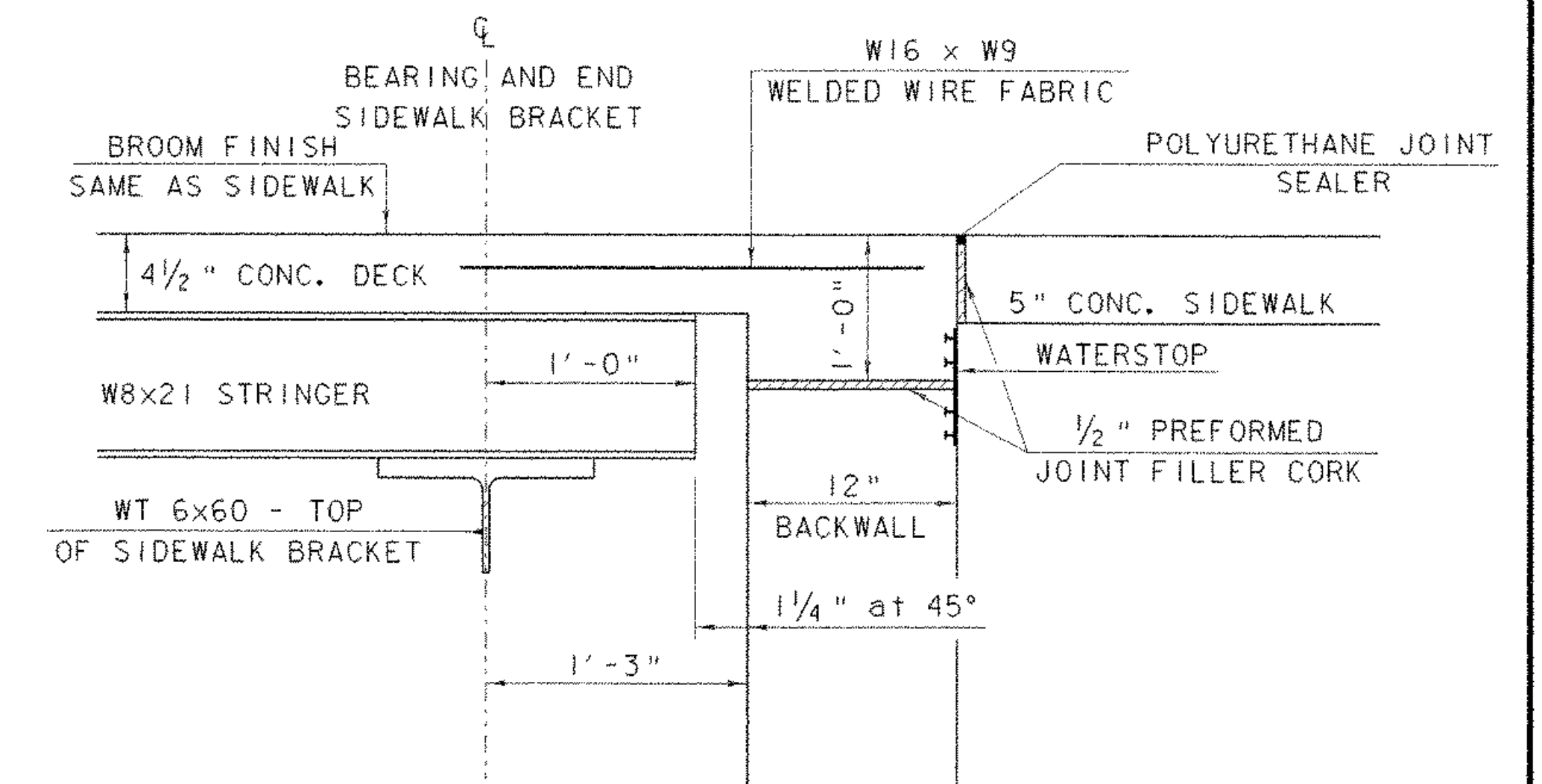


PLAN OF SIDEWALK JOINT

SCALE: 1" = 1'-0"

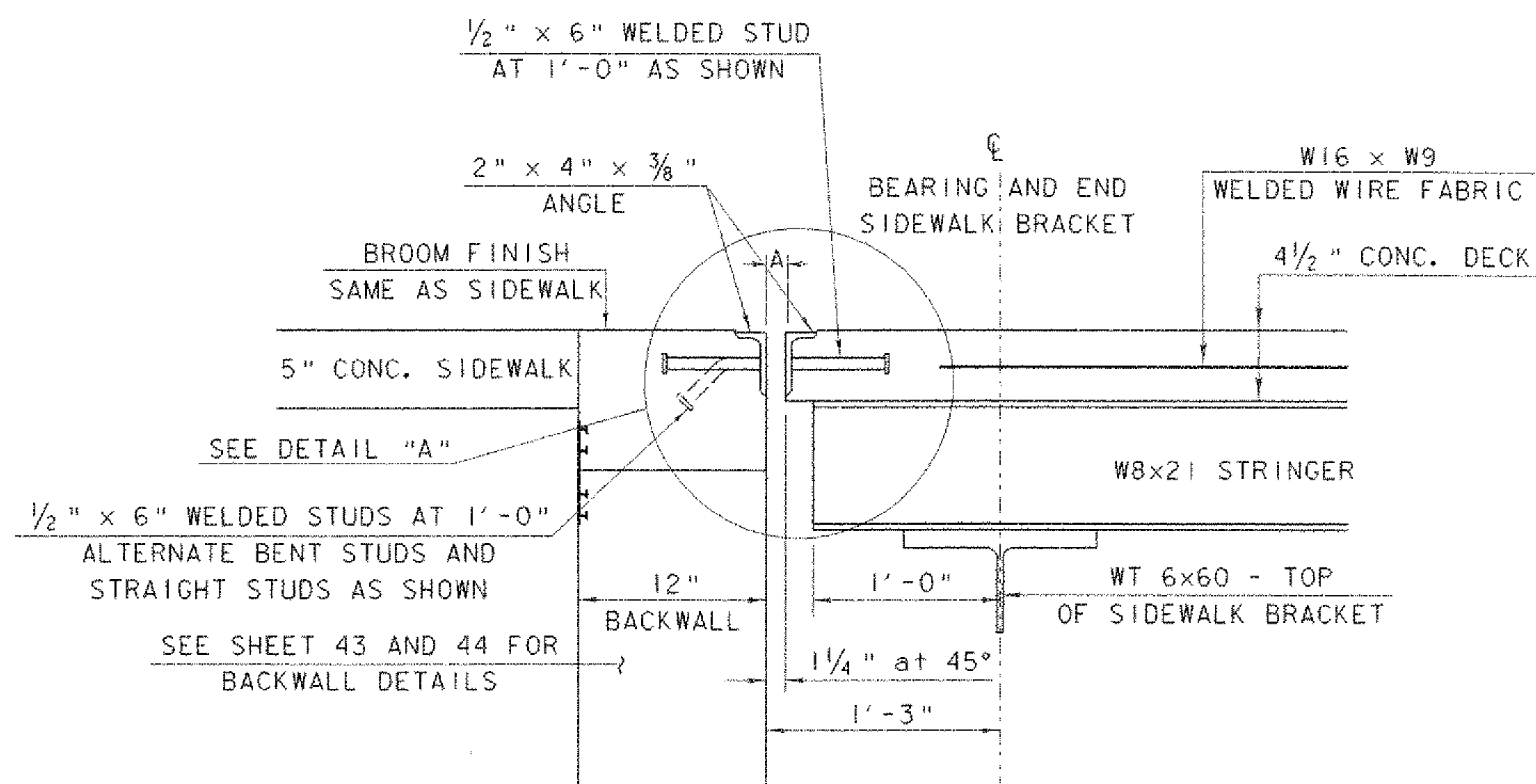
TEMP	"A" DIST	"B" DIST
0	1 ¹³ / ₁₆ "	1 ⁹ / ₁₆ "
15	1 ⁵ / ₈ "	1 ³ / ₈ "
30	1 ⁷ / ₁₆ "	1 ³ / ₁₆ "
45	1 ¹ / ₄ "	1"
60	1 ⁵ / ₁₆ "	1 ¹ / ₁₆ "
75	3 ³ / ₄ "	1 ¹ / ₂ "
90	3 ¹ / ₁₆ "	5 ¹ / ₁₆ "

"A" IS THE SETTING BEFORE DEAD LOADS (DECK, PAVEMENT, ETC.) ARE IN PLACE. "B" IS THE SETTING AFTER THE DEAD LOADS ARE IN PLACE.



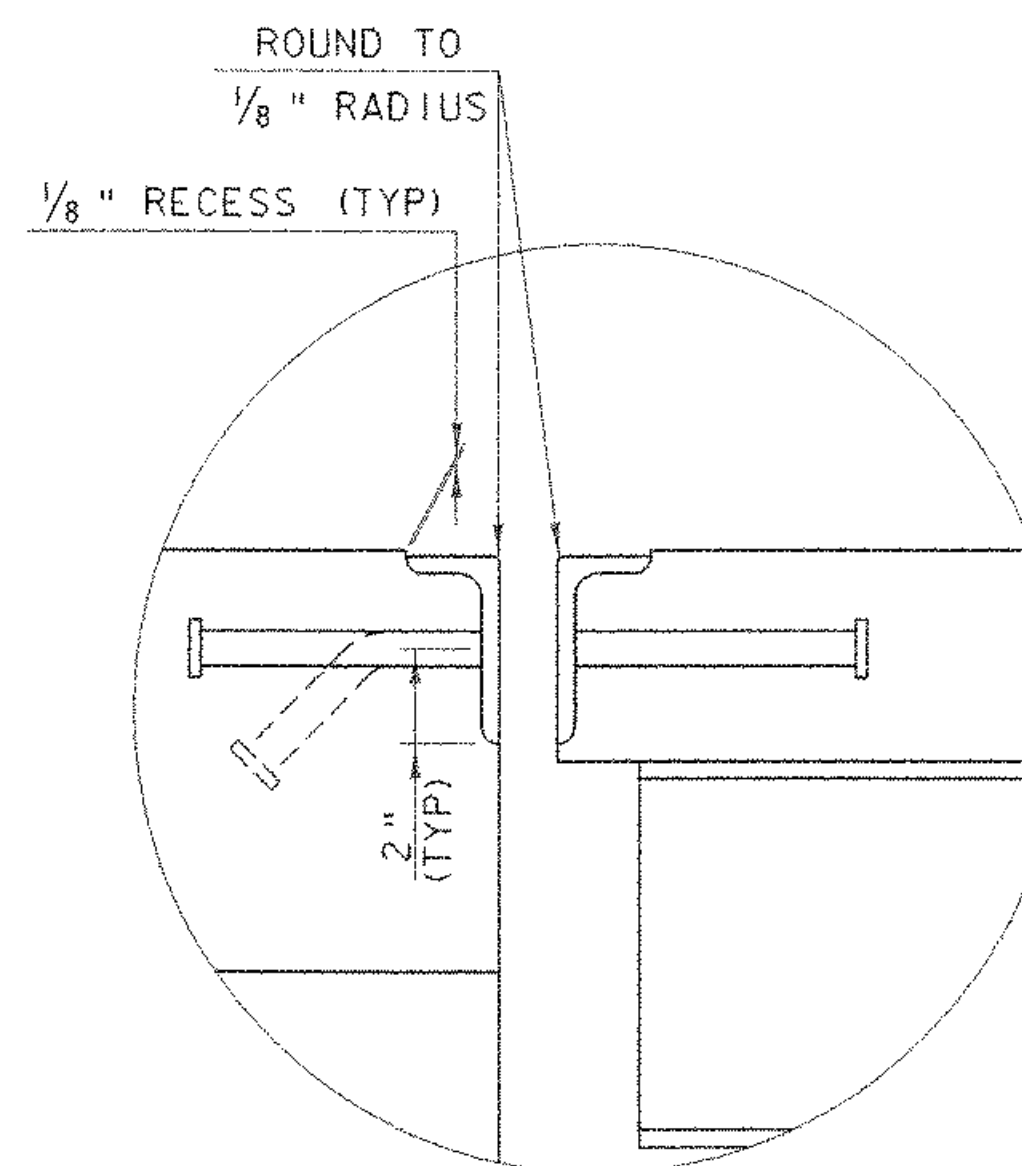
TYPICAL SIDEWALK JOINT SECTION (FIXED)

SCALE: 1 1/2" = 1'-0"



TYPICAL SIDEWALK JOINT SECTION (EXPANSION)

SCALE: 1 1/2" = 1'-0"



DETAIL "A"

SCALE: 3" = 1'-0"

SHEET NAME: SIDEWALK JOINT DETAILS		
PROJECT NAME: JOHNSON	HIGHWAY NO.: TH 2	
PROJECT NUMBER: BHO 1448(18)	BRIDGE NO.: 6	
	OVER: THE LAMOILLE RIVER	
FILE NAME: /s1r1/90j067/sj067sdw.dgn	PLOT DATE: 02-SEP-2005	
PROJECT MANAGER: R. WHITCOMB	DRAWN BY: J. GILMORE	
DESIGNED BY: C. MEUNIER	IPARM NAME: sc067sjd.1	
BRIDGE SHEET NUMBER:	SHEET 34 OF 73	