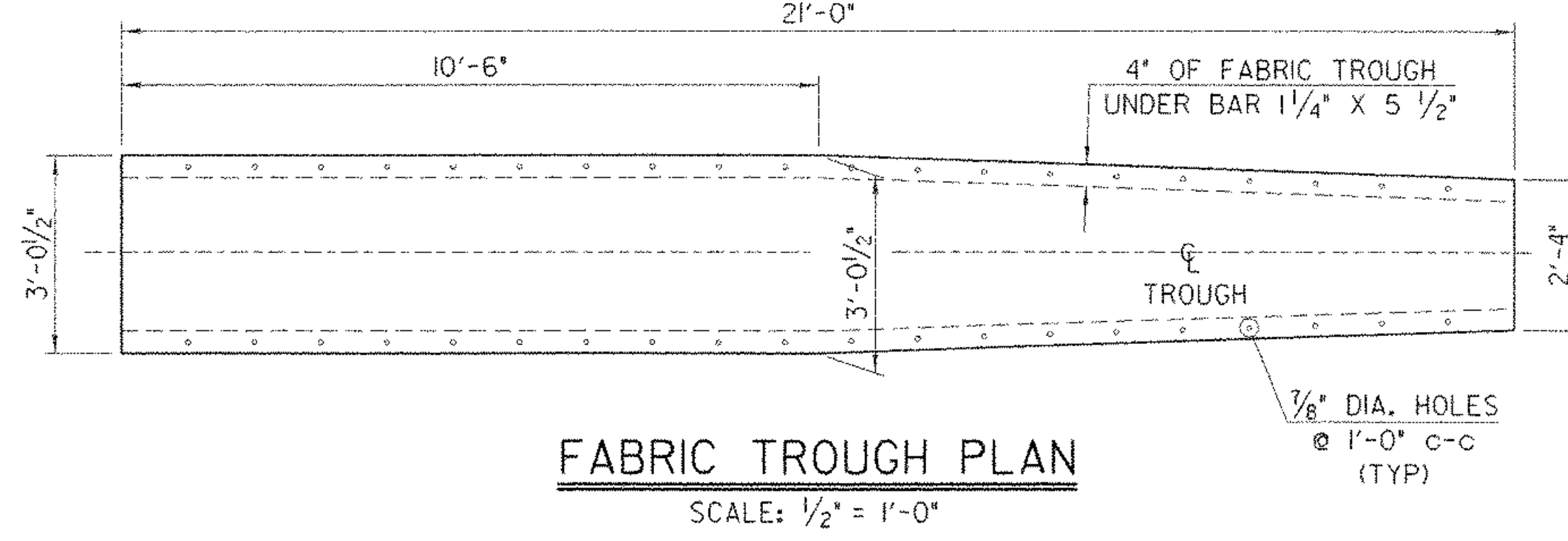
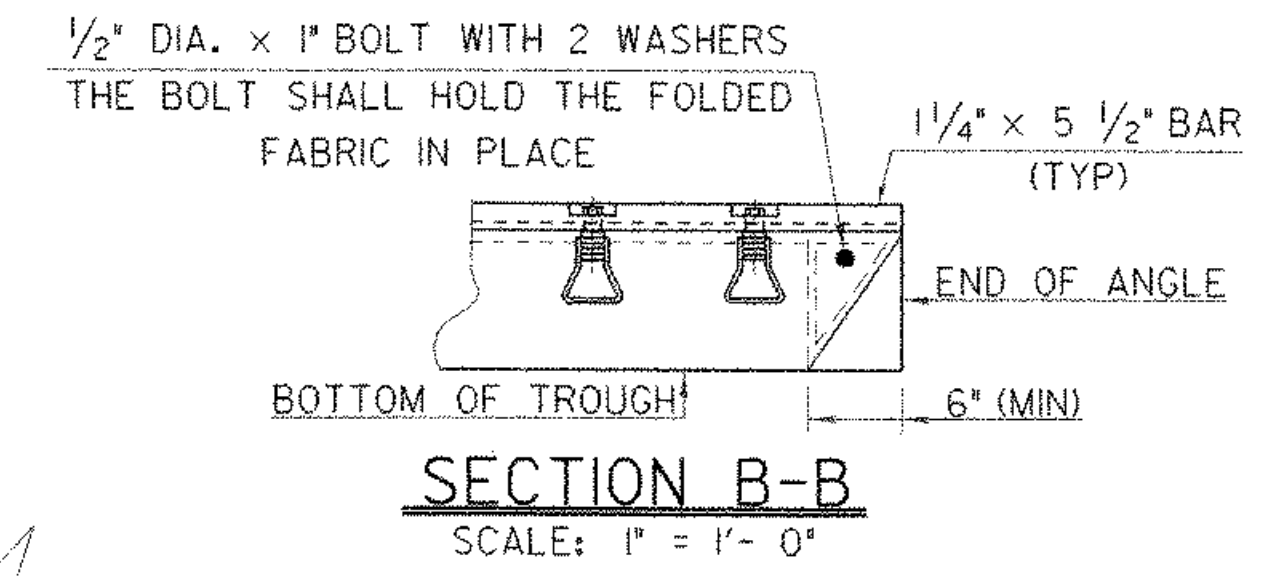
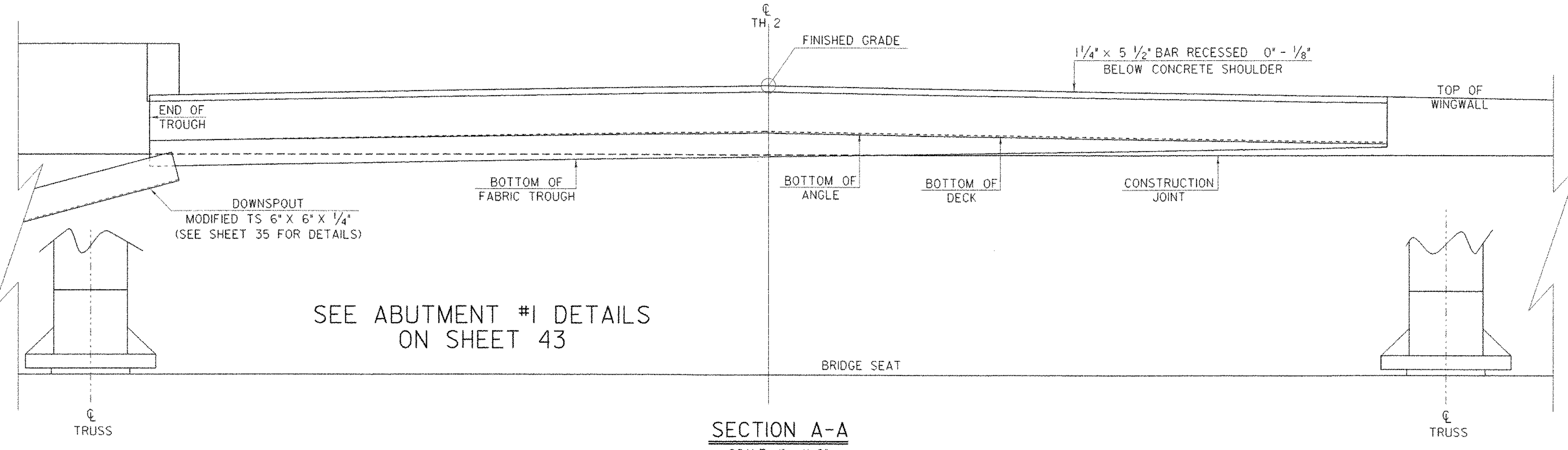


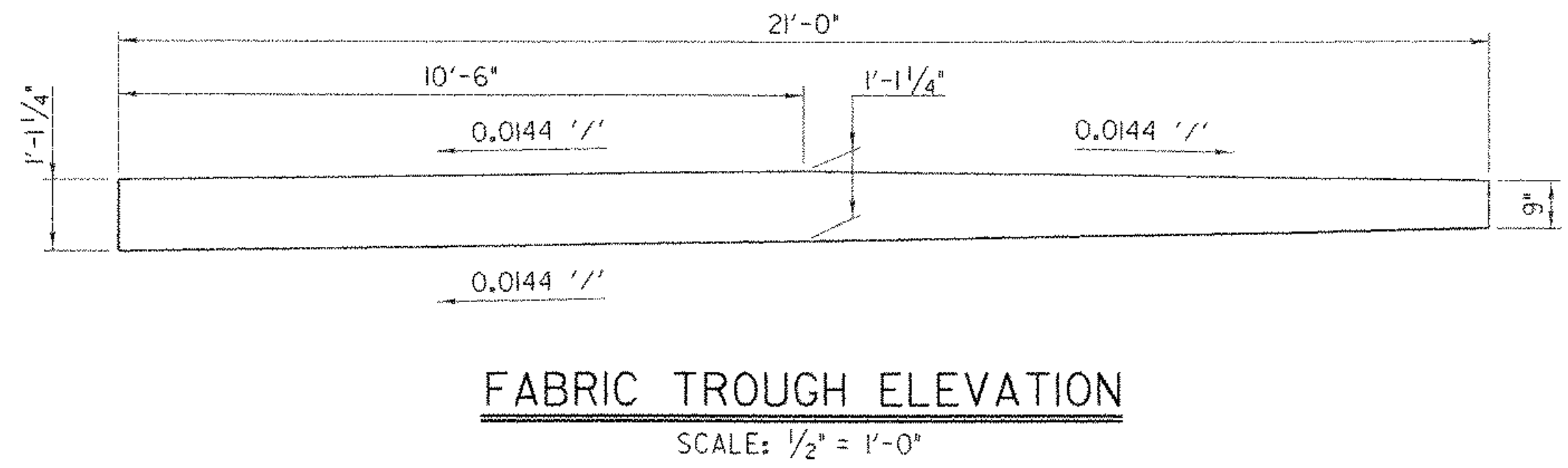
**PLAN OF EXPANSION JOINT AT ABUTMENT #1**

THE LOCATION OF THE FERRULES MAY NEED TO BE ADJUSTED IN AREAS OF BRACKETS.



**SECTION A-A**

SCALE: 1" = 1'-0"



**FABRIC TROUGH PLAN**

SCALE: 1/2" = 1'-0"

**FABRIC TROUGH ELEVATION**

SCALE: 1/2" = 1'-0"

SHEET NAME: EXPANSION JOINT PLAN AND ELEVATION		
PROJECT NAME: JOHNSON	HIGHWAY NO.: TH 2	
PROJECT NUMBER: BHO 1448(18)	BRIDGE NO.: 6	
	OVER: THE LAMOILLE RIVER	
FILE NAME: /str1/90j067/sj067sup.dgn	PLOT DATE: 02-SEP-2005	
PROJECT MANAGER: R. WHITCOMB	DRAWN BY: J.GILMORE	
DESIGNED BY: C. MEUNIER	IPARM NAME: sc067exp.1	
BRIDGE SHEET NUMBER:	SHEET 33 OF 73	