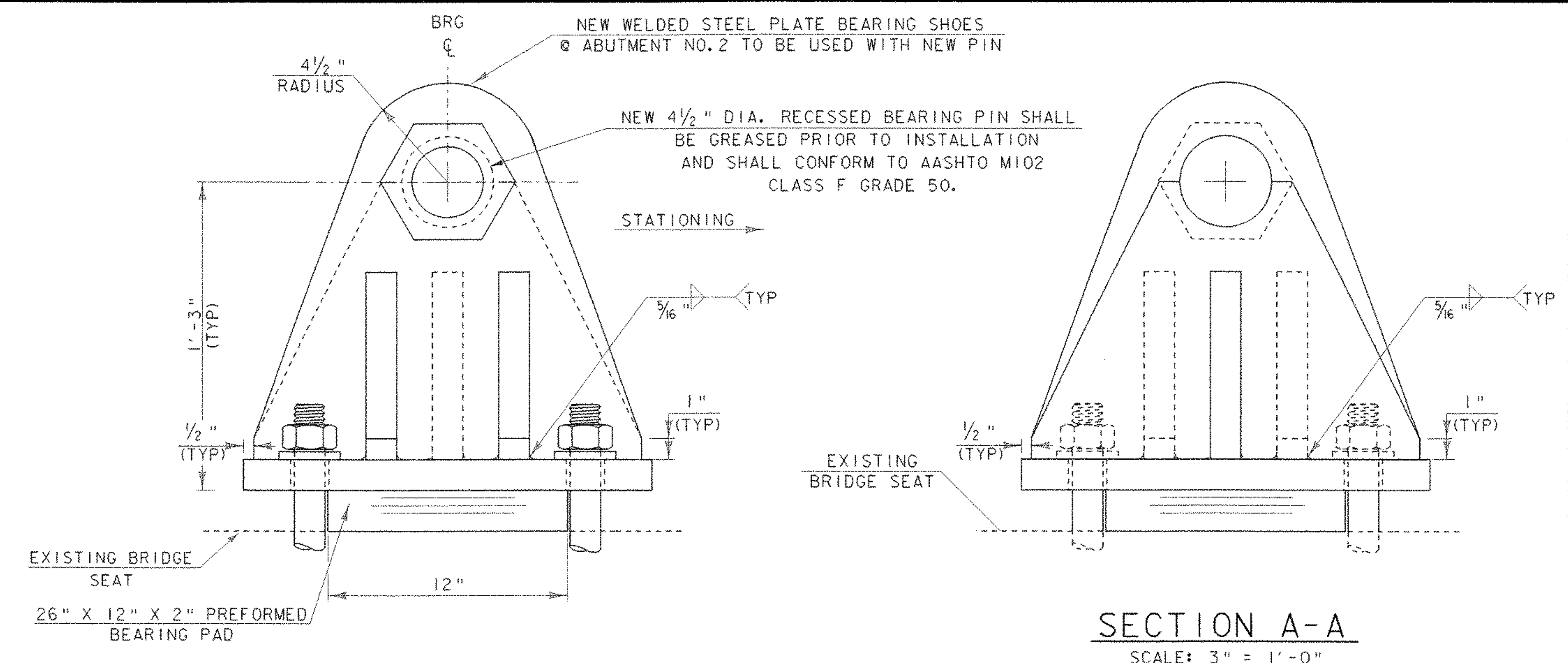


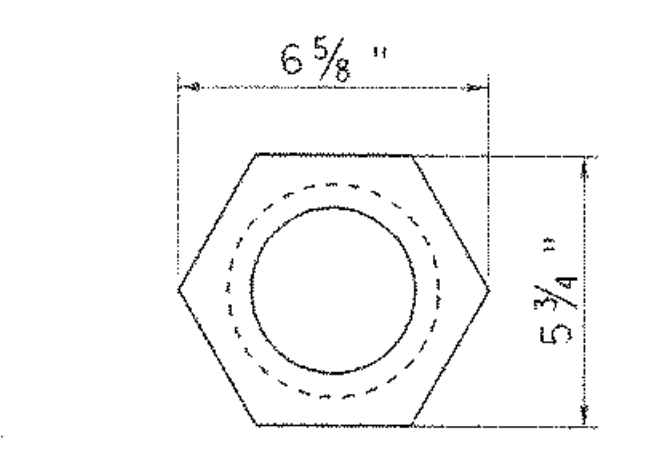
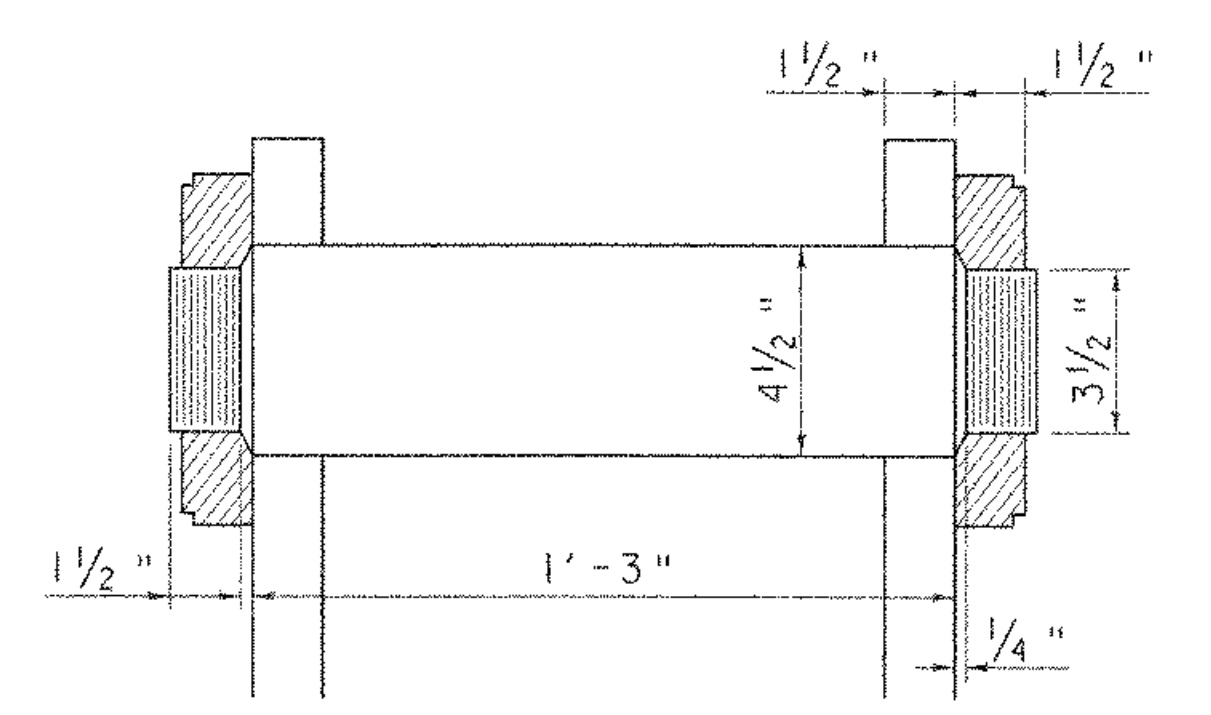
FRONT ELEVATION FIXED END BEARING
SCALE: 3" = 1'-0"



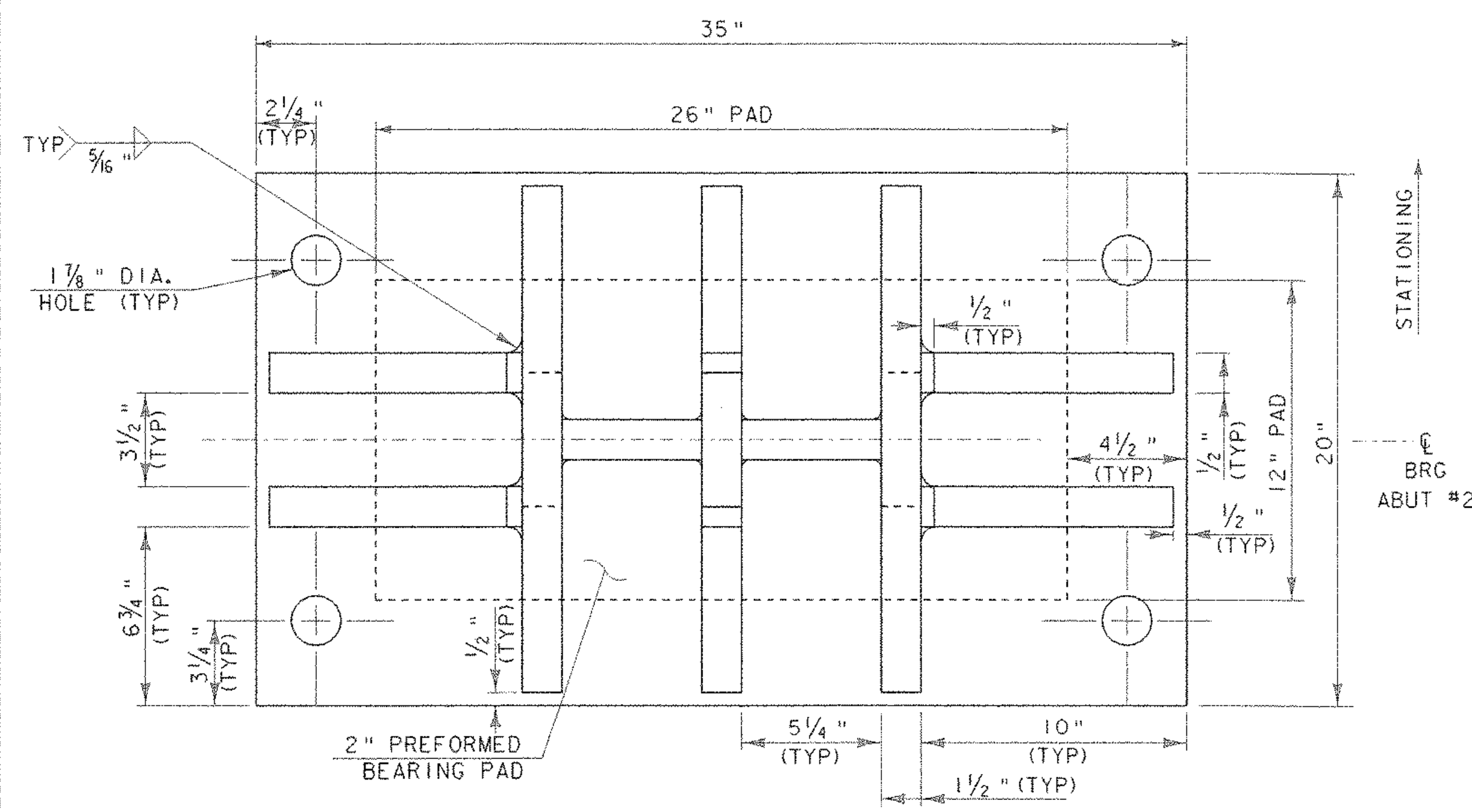
SIDE ELEVATION FIXED END BEARING
SCALE: 3" = 1'-0"

BEARING NOTES CONTINUED

- 8) EXISTING ANCHOR BOLTS SHALL BE CUT OFF FLUSH WITH BRIDGE SEATS AND REMOVE THEIR UPPER PORTION. THE EXISTING BOLTS MAY BE PULLED OUT IF THIS CAN BE DONE WITHOUT DAMAGE TO EXISTING CONCRETE. THIS WORK WILL BE INCIDENTAL TO THE ITEMS 531.10, "BEARING DEVICE ASSEMBLY (STEEL) (EXPANSION)" AND 531.10 "BEARING DEVICE ASSEMBLY (STEEL) (FIXED)".
- 9) REMOVAL OF EXISTING BEARING SHOES, MANUFACTURING OF NEW BEARING SHOES, AS WELL AS BEARING PADS, ANCHOR BOLTS, SOLE PLATES, AND STAINLESS STEEL SHALL BE PAID FOR UNDER ITEMS 531.10, "BEARING DEVICE ASSEMBLY (STEEL) (EXPANSION)" AND 531.10 "BEARING DEVICE ASSEMBLY (STEEL) (FIXED)".
- 10) DESIGN CRITERIA:
 - A: PAD TO CONCRETE DESIGN PRESSURE = 1000 PSI
 - B: MINIMUM ALLOWABLE DESIGN ROTATION = 0.015 RADIAN
 - C: HORIZONTAL CAPACITY SHALL BE MINIMUM OF 10% VERTICAL CAPACITY.
 - D: DESIGN LOAD PER TRUSS BEARING = 300 KIPS
RDL = 177 KIPS
RLL = 123 KIPS
- 11) SHOP DRAWINGS CONFORMING TO SUBSECTION 531.03 SHALL BE SUBMITTED TO INCLUDE WELDING AND BONDING PROCEDURES.
- 12) THE FABRICATOR SHALL METALIZE THE BEARINGS IN ACCORDANCE WITH AASHTO M-111 AFTER FABRICATION AND THEN SHOP APPLY A PAINT SYSTEM MEETING THE SUPPLEMENTAL SPECIFICATION 513 TO THE OUTSIDE OF THE BEARINGS. THE FINAL COLOR BE BLACK COLOR CHIP #27038. THE COST OF ANY METALIZING OR SHOP APPROVED PAINT WILL BE CONSIDERED INCIDENTAL TO ITEMS 531.10, "BEARING DEVICE ASSEMBLY (STEEL) (EXPANSION)" AND 531.10 "BEARING DEVICE ASSEMBLY (STEEL) (FIXED)".



PIN DETAILS
SCALE: 3" = 1'-0"



PLAN VIEW OF NEW BEARING SHOE
SCALE: 3" = 1'-0"

SHEET NAME: BEARING DETAILS (FIXED) ABUT #2		
PROJECT NAME: JOHNSON	HIGHWAY NO.: TH 2	
PROJECT NUMBER: BHO 1448(I8)	BRIDGE NO.: 6	OVER: THE LAMOILLE RIVER
FILE NAME: /s/tr1/90j067/sj067sdw.dgn	PLOT DATE: 02-SEP-2005	
PROJECT MANAGER: R. WHITCOMB	DRAWN BY: T. HUSK	
DESIGNED BY: C. MEUNIER	IPARM NAME: sc067br2.i	
BRIDGE SHEET NUMBER:	SHEET 31 OF 73	