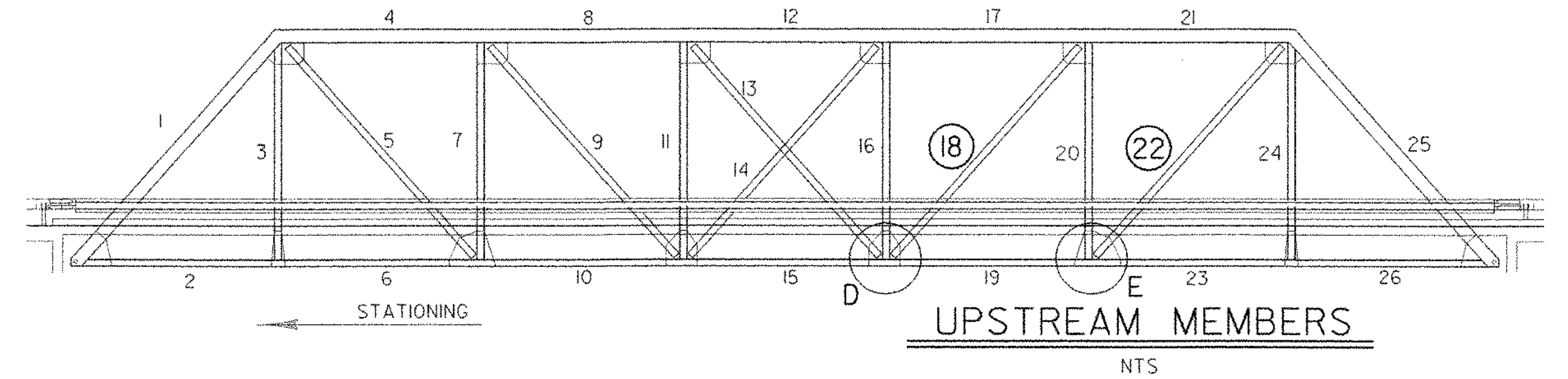
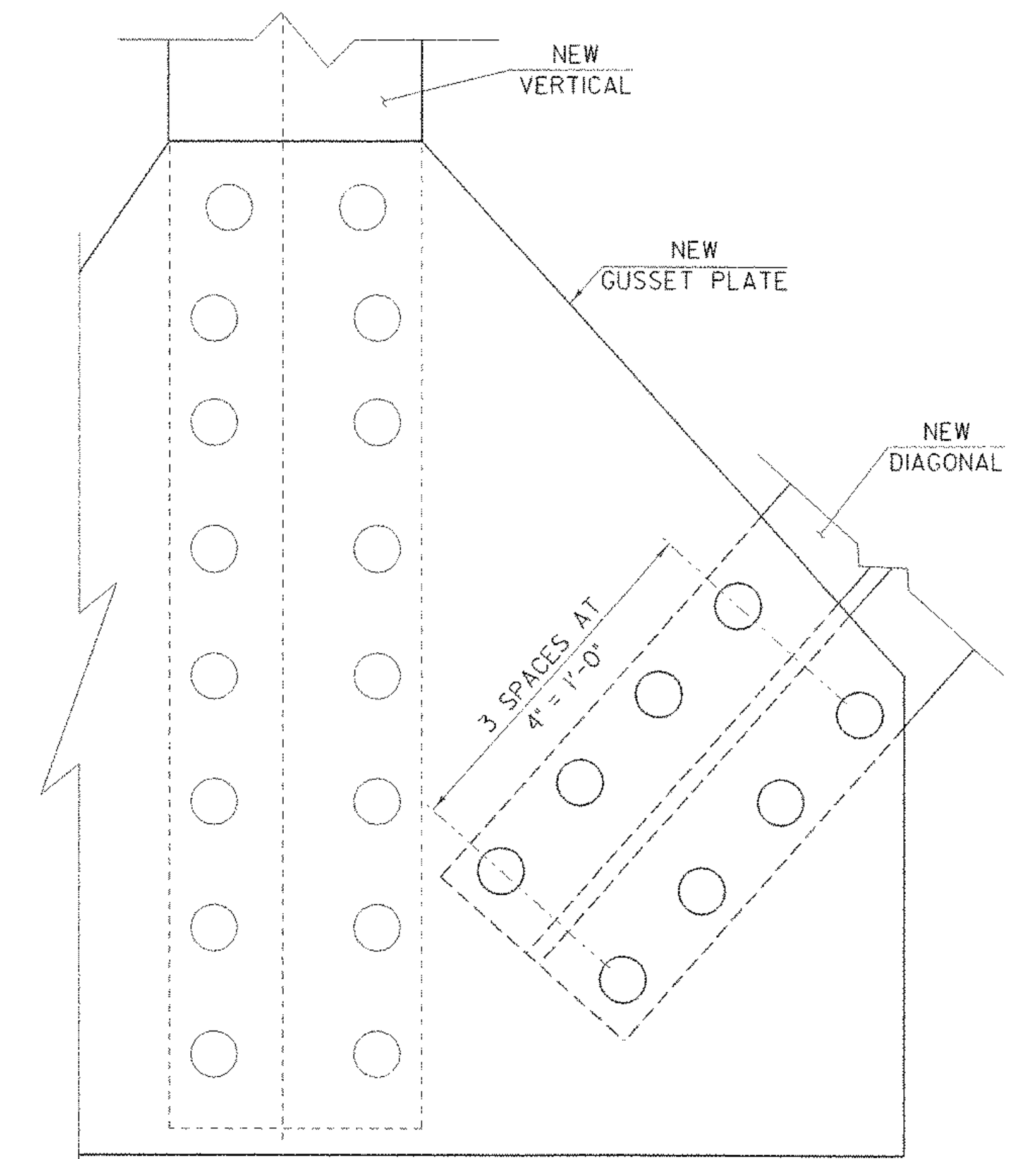
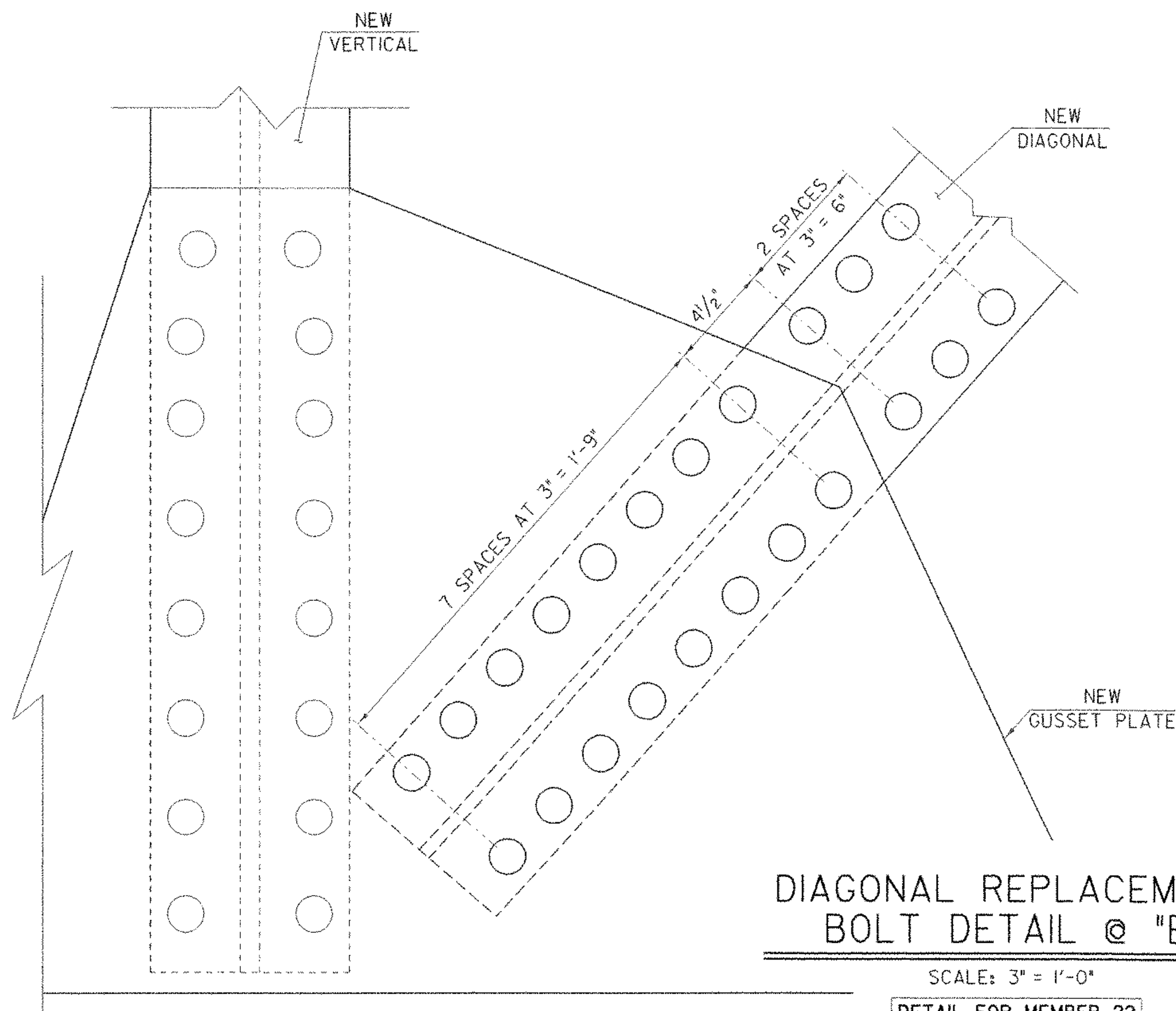


NOTES

1. ALL STRUCTURAL STEEL MEMBERS AND GUSSET PLATES SHALL BE AASHTO M270 GRADE 50 (PAINTED).
2. THE VERTICALS AND DIAGONALS INDICATED ON THIS SHEET SHALL BE REPLACED WITH NEW MEMBERS OF EQUAL DIMENSIONS. THIS SHEET LISTS THE STRUCTURAL SECTION PROPERTIES AND GEOMETRICS FOR THE MEMBERS BEING REPLACED.
3. THE RESIDENT ENGINEER SHALL EXAMINE ALL OTHER DIAGONAL TRUSS MEMBERS (UPSTREAM AND DOWNSTREAM) AND GUSSET PLATES TO DETERMINE IF THE MEMBERS OR PLATES NEED REPLACEMENT. SEE GENERAL NOTES 23 AND 24 ON SHEET 18.



	MEMBER NO.			
	7, 11, 16, 20	18	24	22
AREA (in. ²)	12.373	10.66	11.35	14.18
DEPTH (in.)	9.0	8.94	9.0	8.375
FLANGE WIDTH (in.)	8.54	8.48	8.5	8.12
WEB THICKNESS (in.)	0.35	0.29	0.310	0.43
I _x (in. ⁴)	195.4	160.5	171.9	177.7
S _x (in. ³)	42.8	35.9	38.2	42.4
r _x (in.)	3.92	3.88	3.89	3.54
I _y (in. ⁴)	51.3	41.0	44.4	59.8
S _y (in. ³)	12.0	9.67	10.4	14.7
r _y (in.)	2.01	1.96	1.98	2.05



UPSTREAM TRUSS MEMBERS	SHEET NAME: REPLACEMENT DETAILS FOR DIAGONAL MEMBERS	
	PROJECT NAME: JOHNSON	HIGHWAY NO.: TH 2
DIAGONAL MEMBERS TO BE REPLACED: 18 AND 22	PROJECT NUMBER: BHO 1448(18)	BRIDGE NO.: 6
	FILE NAME: /str1/90j067/sj067trs.dgn	OVER: THE LAMOILLE RIVER
	PROJECT MANAGER: R. WHITCOMB	PLOT DATE: 02-SEP-2005
	DESIGNED BY: C. MEUNIER	DRAWN BY: J.GILMORE
	BRIDGE SHEET NUMBER:	IPARM NAME: sj067rd.l
		SHEET 27 OF 73