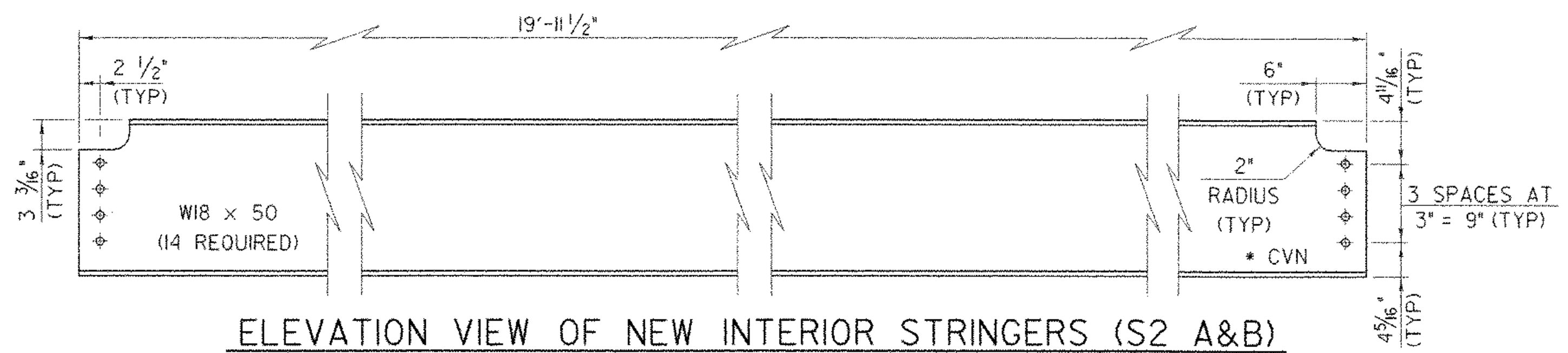


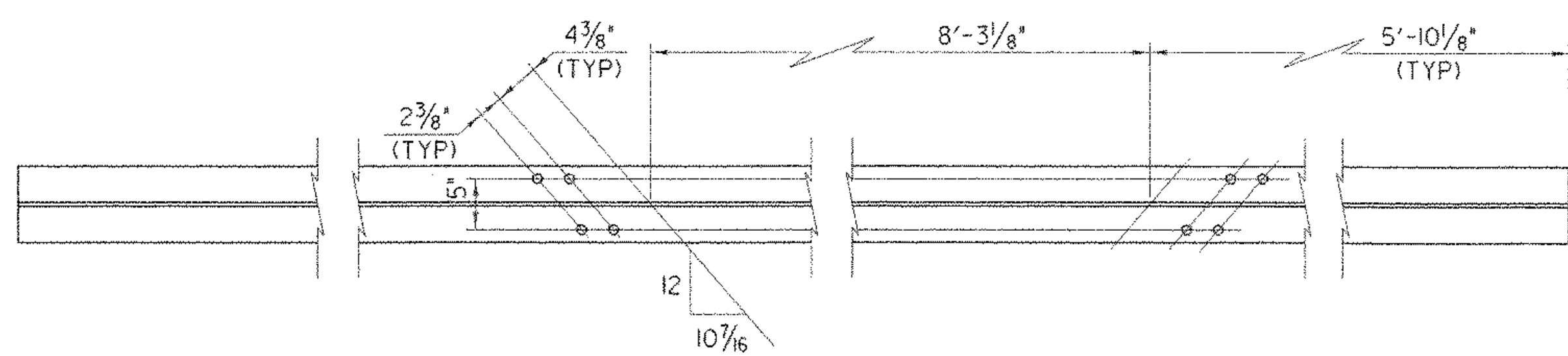
**ELEVATION VIEW OF NEW EXTERIOR STRINGERS (S1)**

ALL HOLES TO BE 15/16\"/>



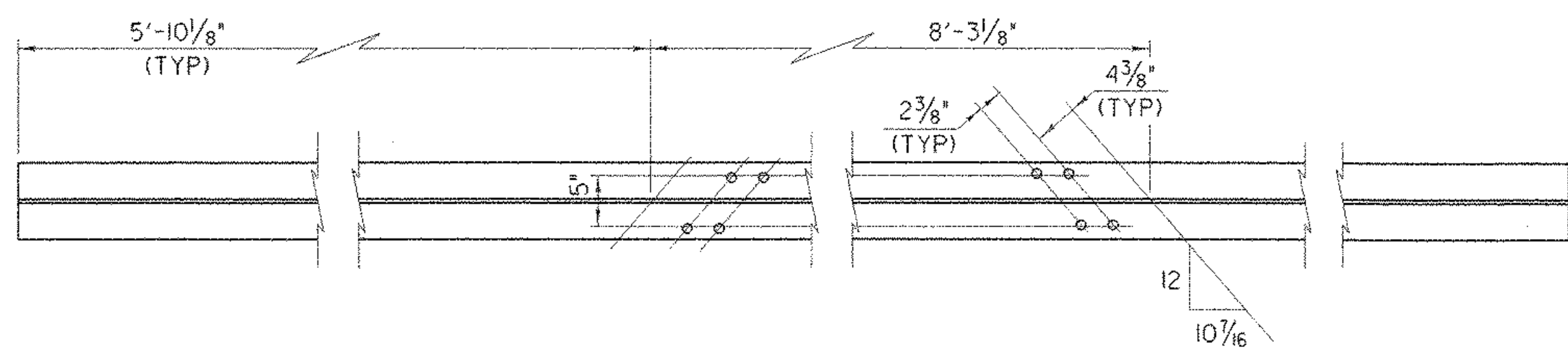
**ELEVATION VIEW OF NEW INTERIOR STRINGERS (S2 A&B)**

ALL HOLES TO BE 15/16\"/>



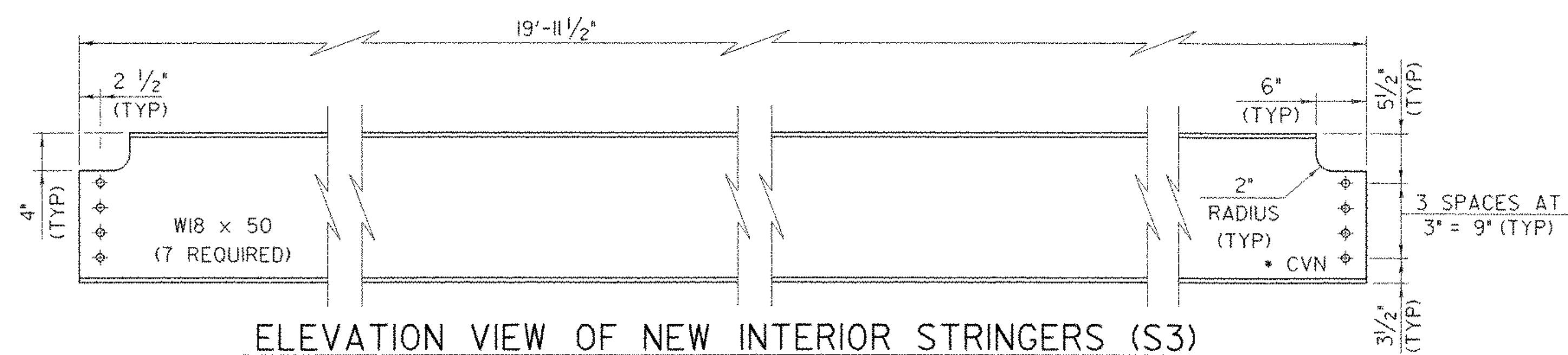
**BOTTOM VIEW OF NEW INTERIOR STRINGERS (S2 A)**

SCALE: 1\"/>



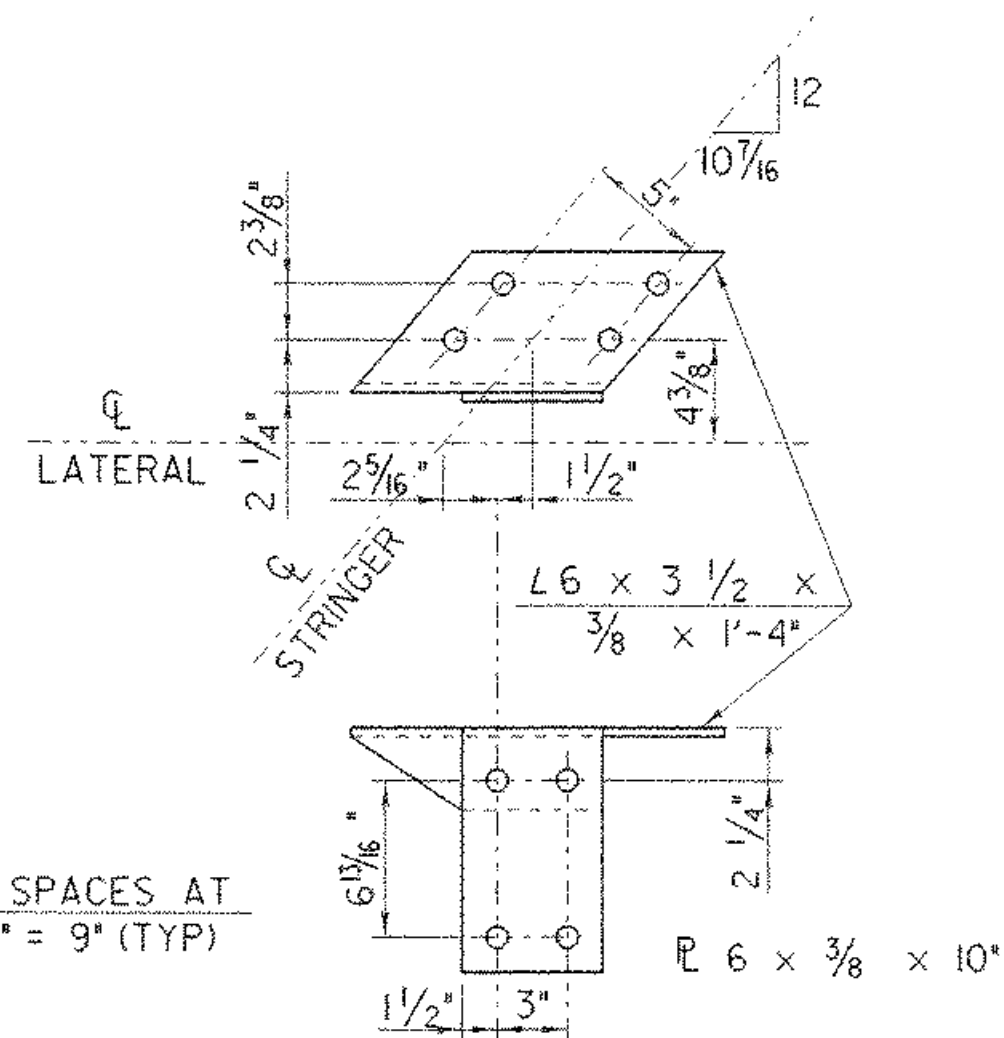
**BOTTOM VIEW OF NEW INTERIOR STRINGERS (S2 B)**

SCALE: 1\"/>



**ELEVATION VIEW OF NEW INTERIOR STRINGERS (S3)**

ALL HOLES TO BE 15/16\"/>



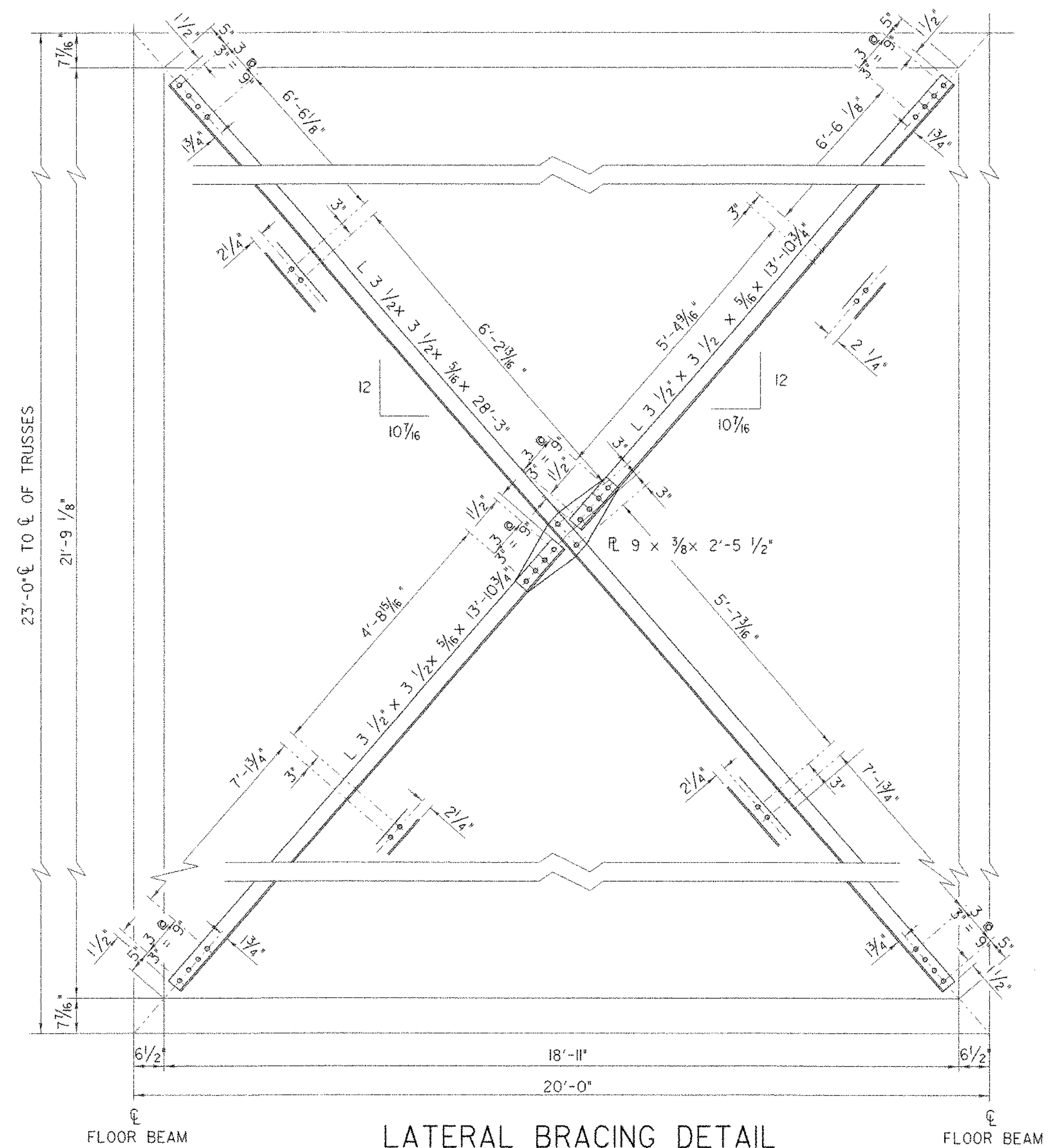
**ANGLE DETAIL**

SCALE: 1 1/2\"/>

SEE REF DWG SHT 70 FOR LOCATION.

**NOTES**

1. ALL OF THE EXISTING STRINGERS AND CROSS BRACING ARE TO BE REPLACED.
2. \* CVN CHARPY V-NOTCH TESTING.



**LATERAL BRACING DETAIL**

SCALE: 3/4\"/>

<b>SHEET NAME: STRINGER &amp; LATERAL BRACING DETAILS</b>	
PROJECT NAME: JOHNSON	HIGHWAY NO.: TH 2
PROJECT NUMBER: BHO 1448(18)	BRIDGE NO.: 6
	OVER: THE LAMOILLE RIVER
FILE NAME: /str1/90j067/sj067trs.dgn	PLOT DATE: 02-SEP-2005
PROJECT MANAGER: R. WHITCOMB	DRAWN BY: J.GILMORE
DESIGNED BY: C. MEUNIER	IPARM NAME: sc067ste.1
BRIDGE SHEET NUMBER:	SHEET 24 OF 73