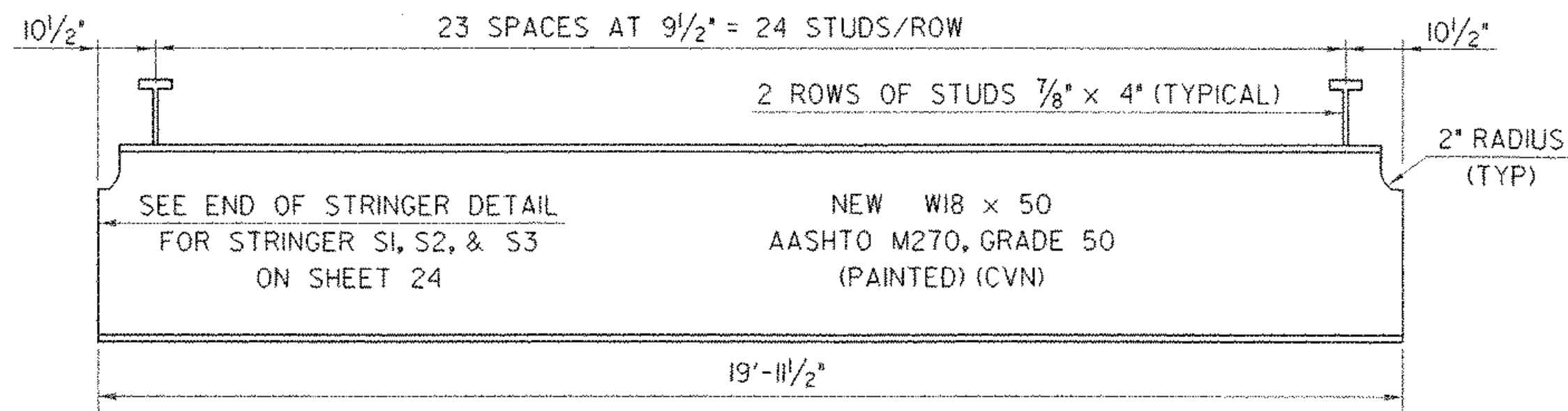


FLOOR SYSTEM FRAMING PLAN

SCALE: 3/16" = 1'-0"

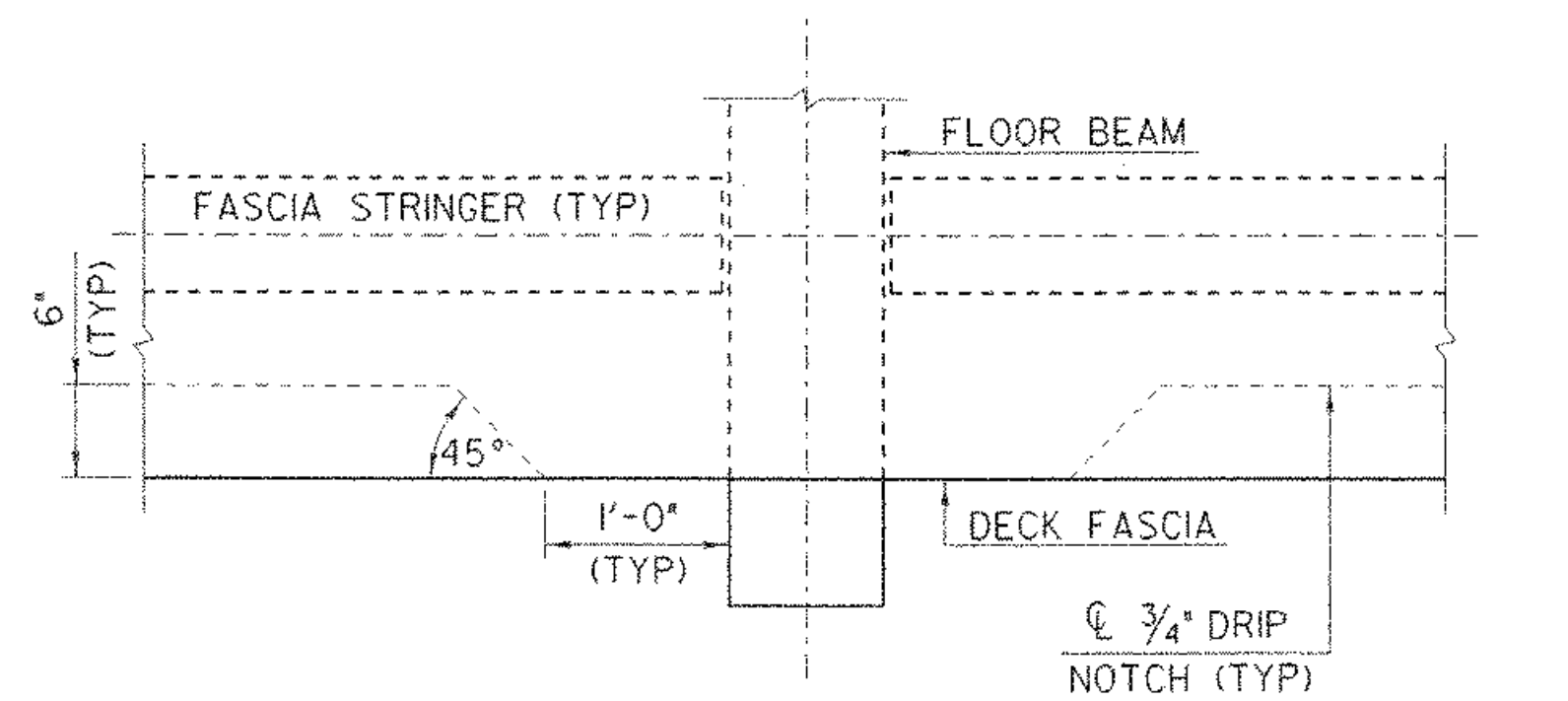
NOTES

1. SEE SHEET 36, FOR SIDEWALK FLOOR SYSTEM INFORMATION.
2. SEE SHEET 25, FOR ADDITIONAL CONNECTION DETAILS.



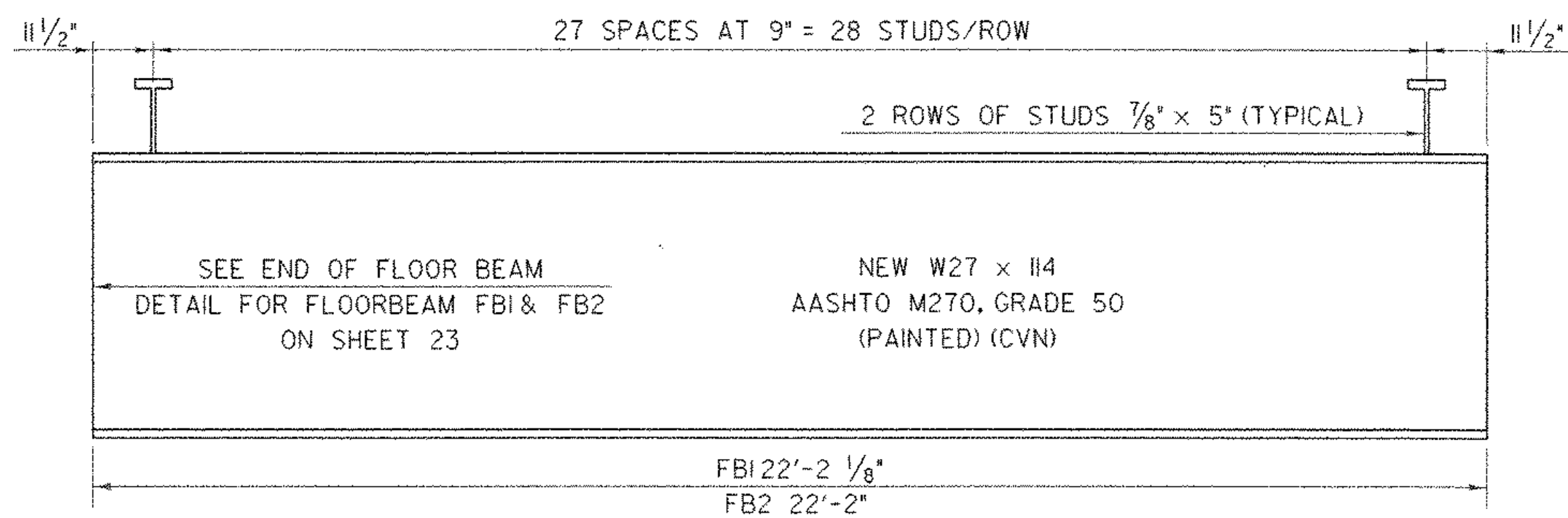
SI, S2A&B, & S3 STRINGER ELEVATION

HORIZONTAL SCALE: 1/2" = 1'-0"
VERTICAL SCALE: 1" = 1'-0"



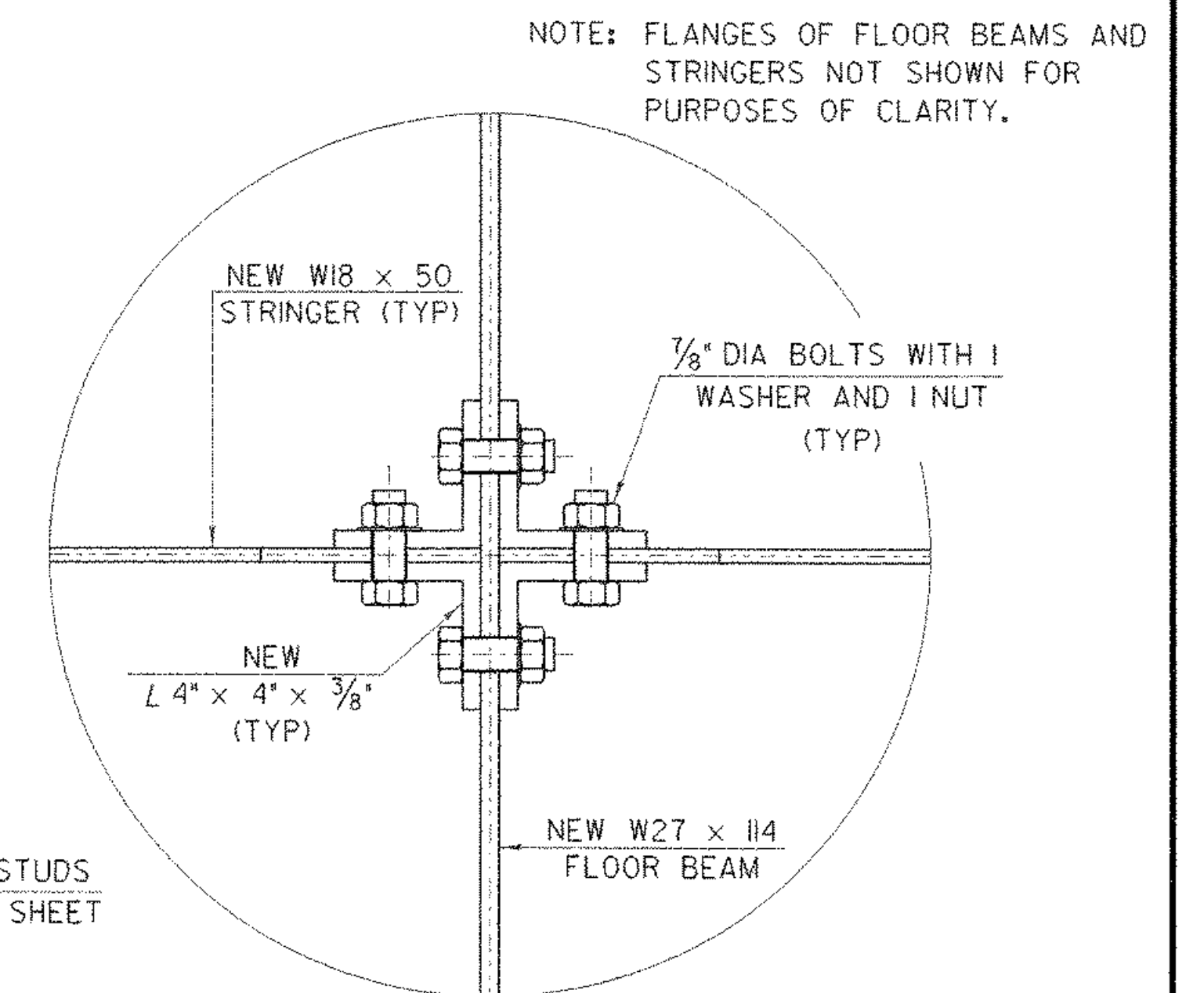
TYPICAL DRIP NOTCH DETAIL AT FLOOR BEAMS

SCALE: 1" = 1'-0"



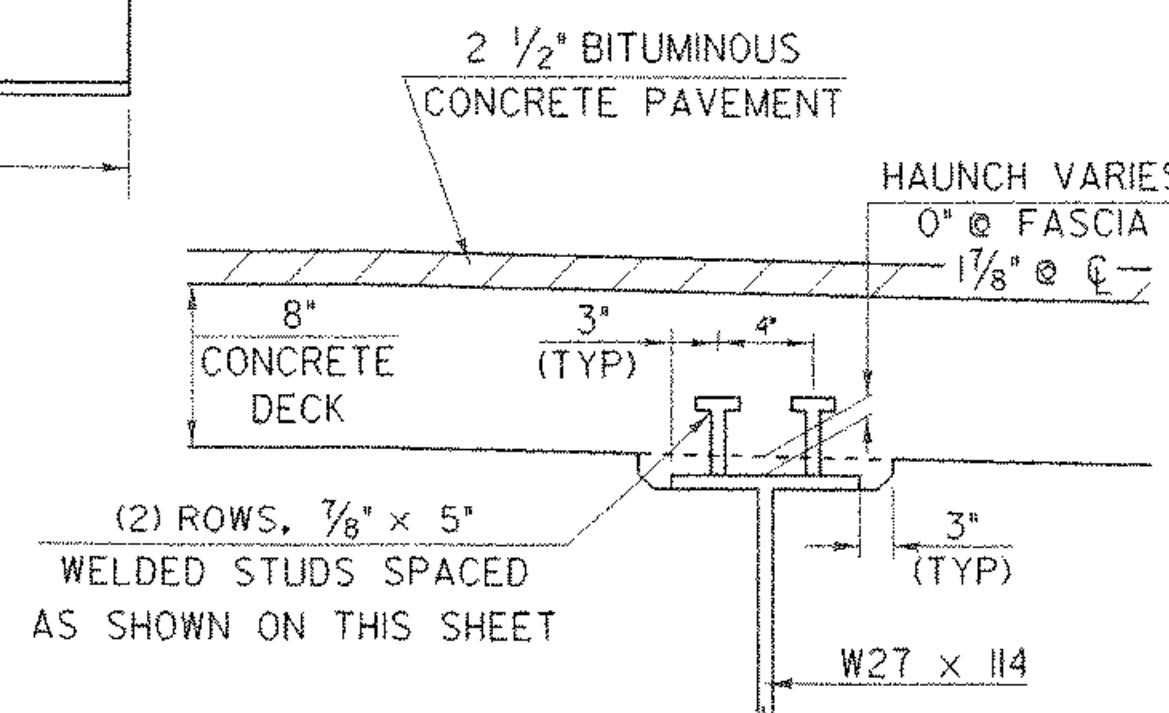
FBI & FB2 FLOOR BEAM ELEVATION

HORIZONTAL SCALE: 1/2" = 1'-0"
VERTICAL SCALE: 1" = 1'-0"



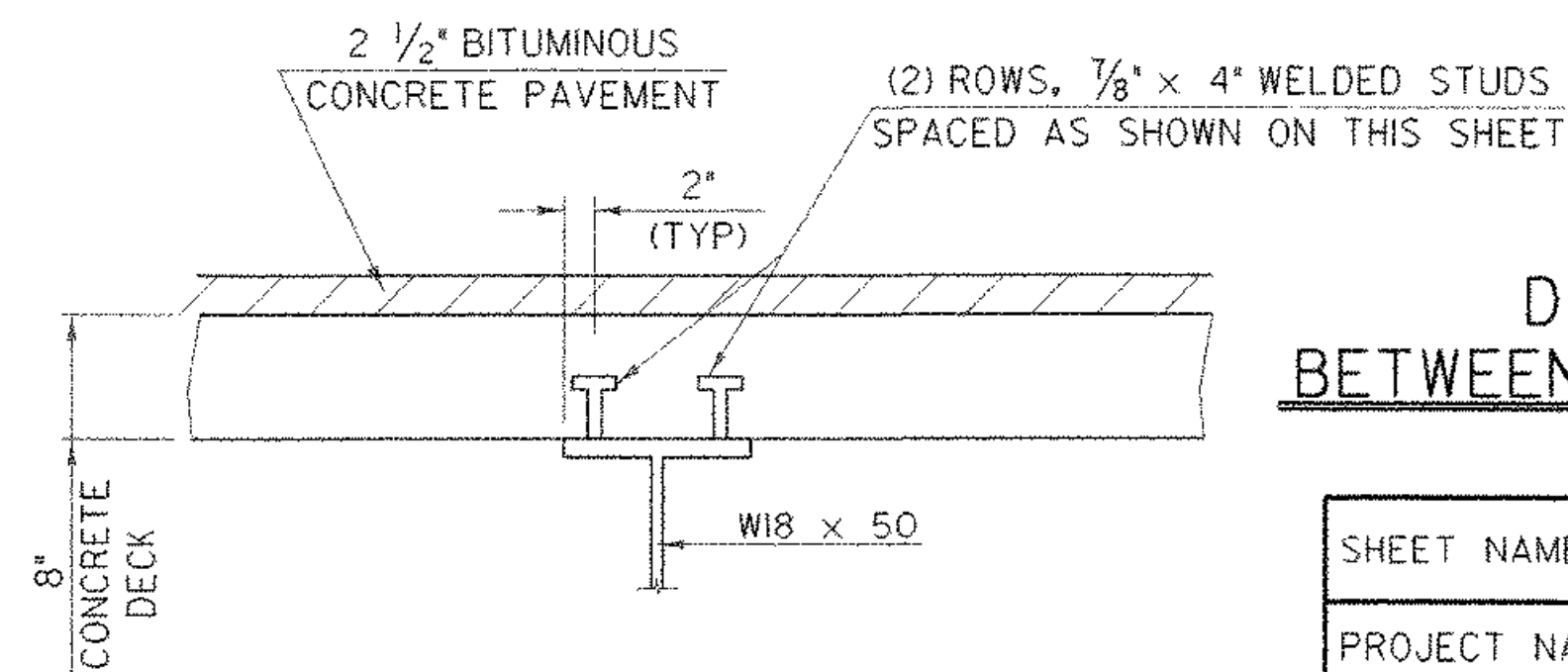
DETAIL "A" SHOWING CONNECTION BETWEEN NEW FLOOR BEAMS AND STRINGERS

SCALE: 3" = 1'-0"



FLOOR BEAM HAUNCH & SHEAR CONNECTOR DETAILS

NTS



STRINGER SHEAR CONNECTOR DETAILS

NTS

SHEET NAME: FRAMING PLAN	
PROJECT NAME: JOHNSON	HIGHWAY NO.: TH 2
PROJECT NUMBER: BHO 1448(18)	BRIDGE NO.: 6
	OVER: THE LAMOILLE RIVER
FILE NAME: /str1/90j067/sj067sup.dgn	PLOT DATE: 02-SEP-2005
PROJECT MANAGER: R. WHITCOMB	DRAWN BY: J.GILMORE
DESIGNED BY: C. MEUNIER	IPARM NAME: sc067frm.1
BRIDGE SHEET NUMBER:	SHEET 22 OF 73