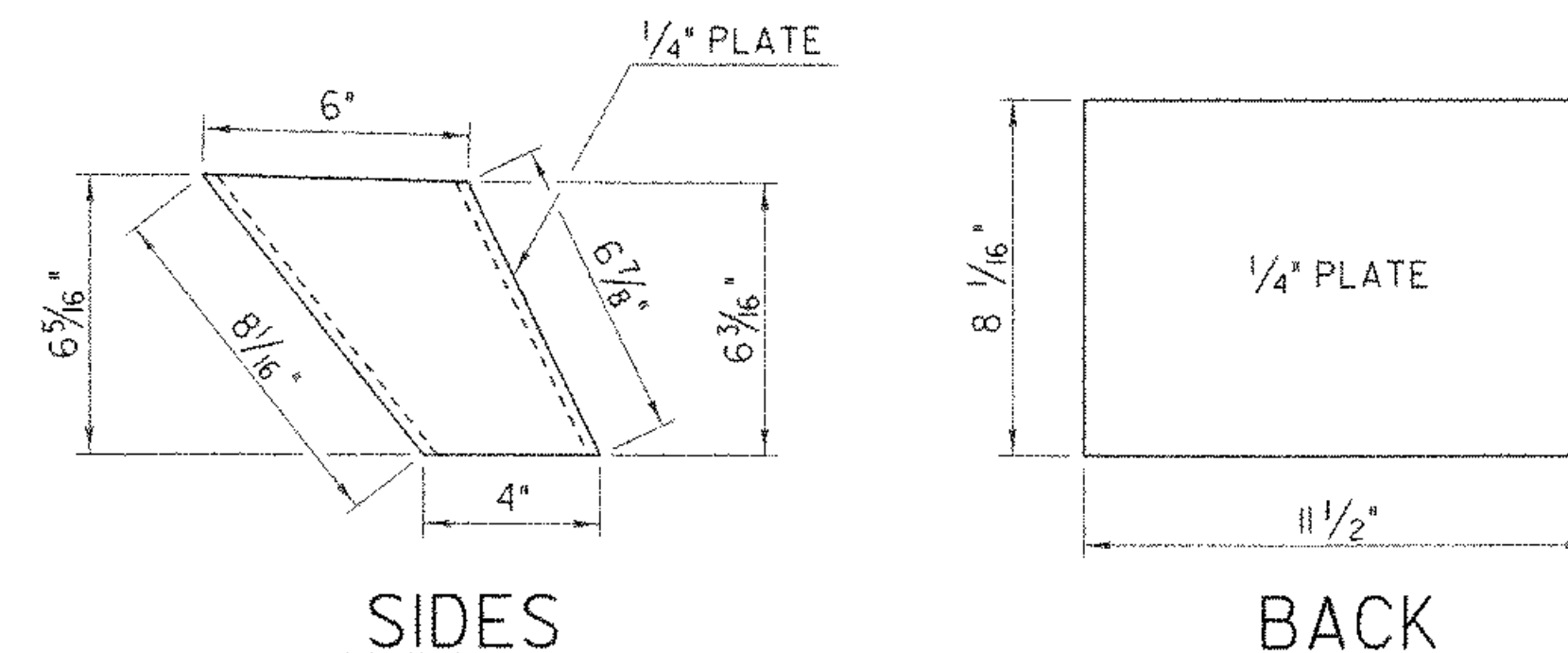


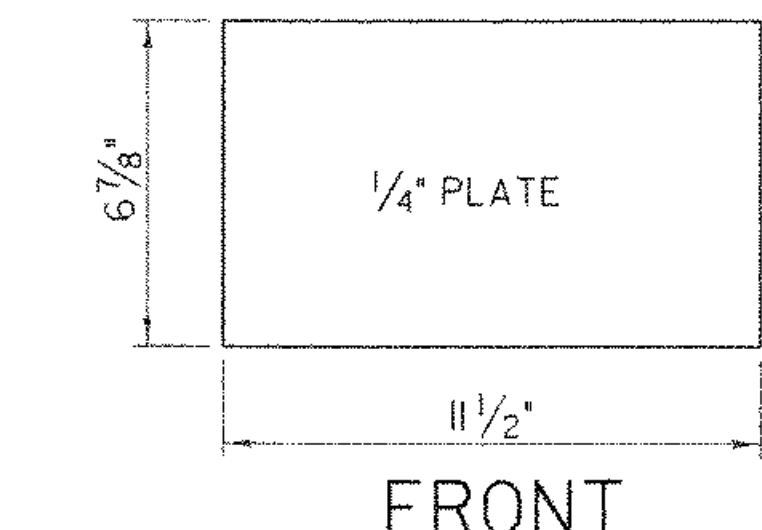
SCUPPER SECTION

SCALE: 1/2" = 1'-0"



SIDES

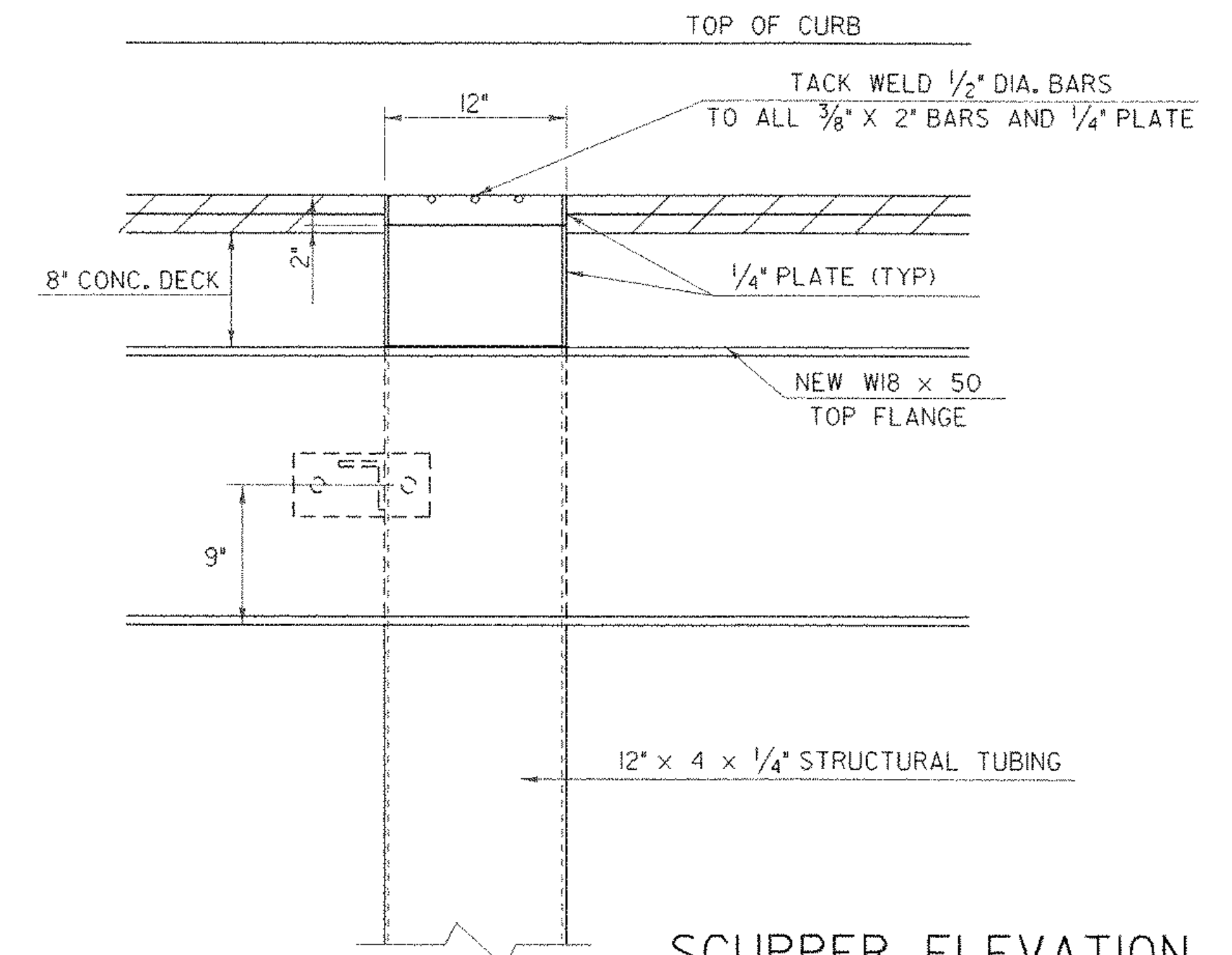
BACK



FRONT

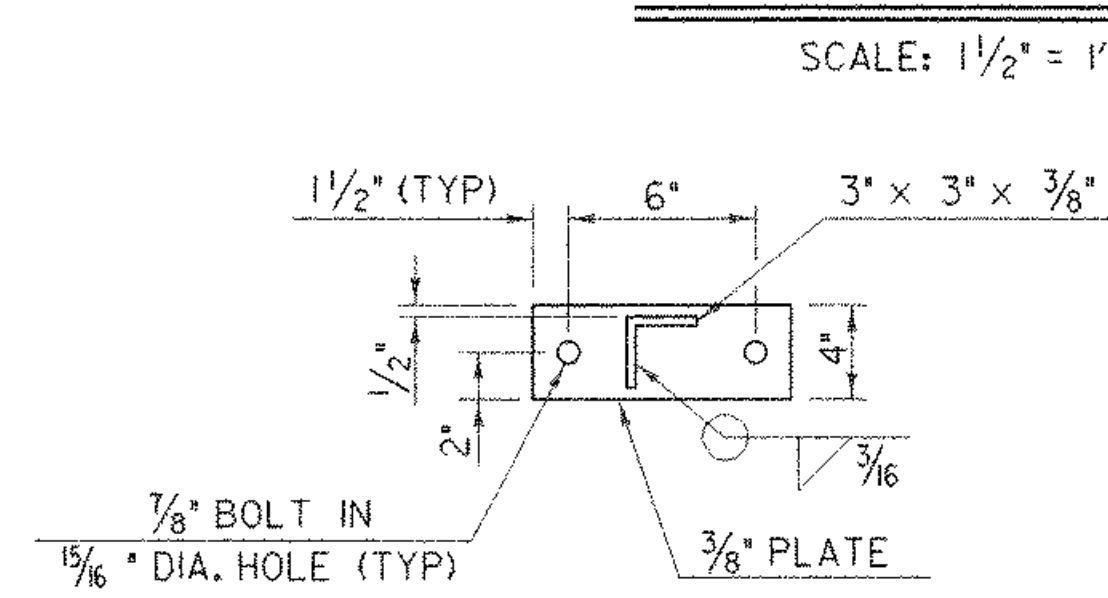
HOPPER PLATE DETAILS

SCALE: 3" = 1'-0"



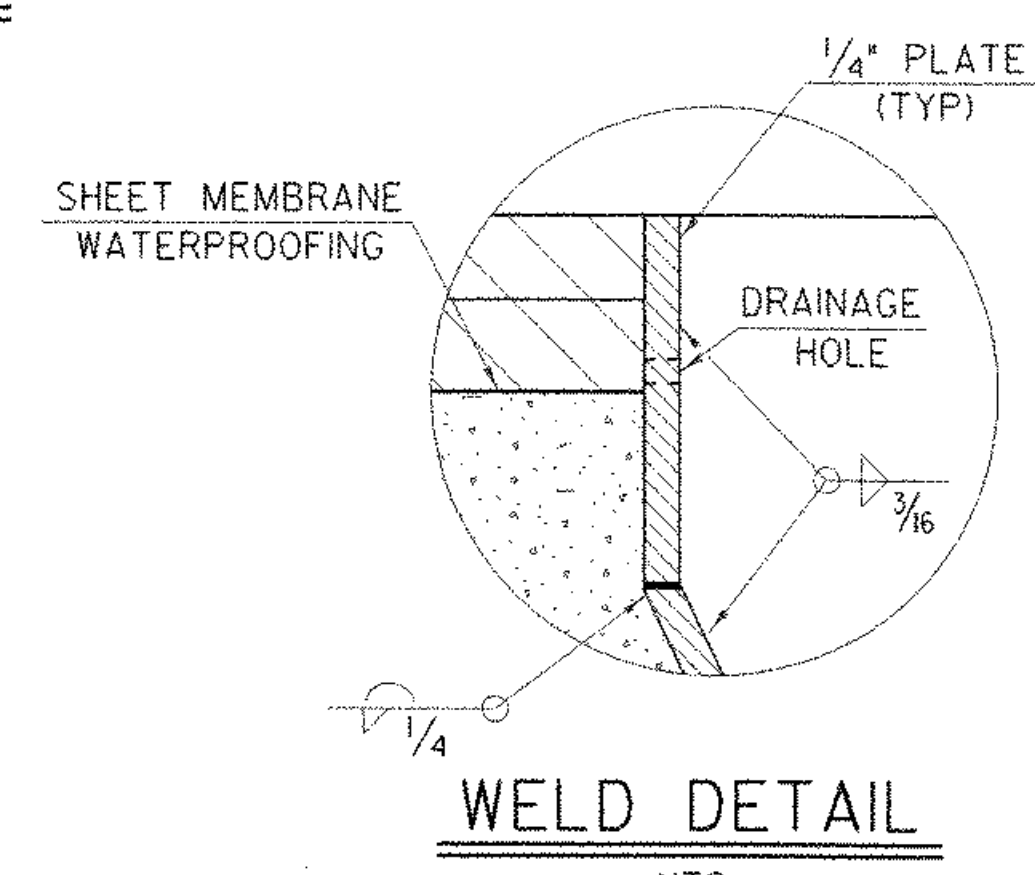
SCUPPER ELEVATION

SCALE: 1/2" = 1'-0"



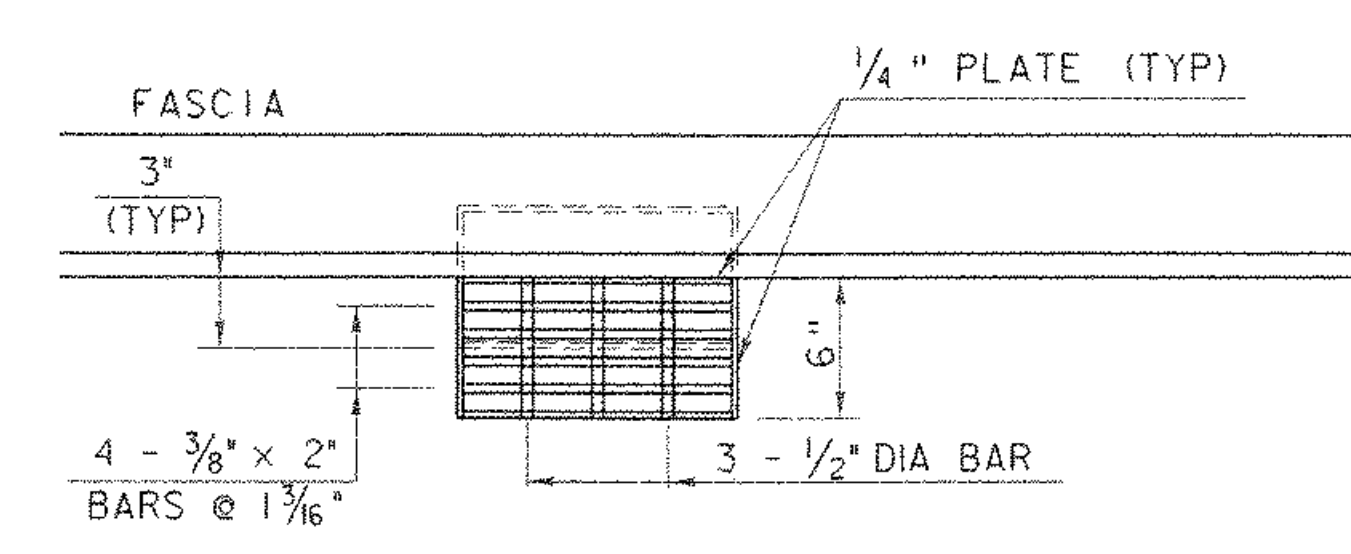
SECTION C-C

SCALE: 1/2" = 1'-0"



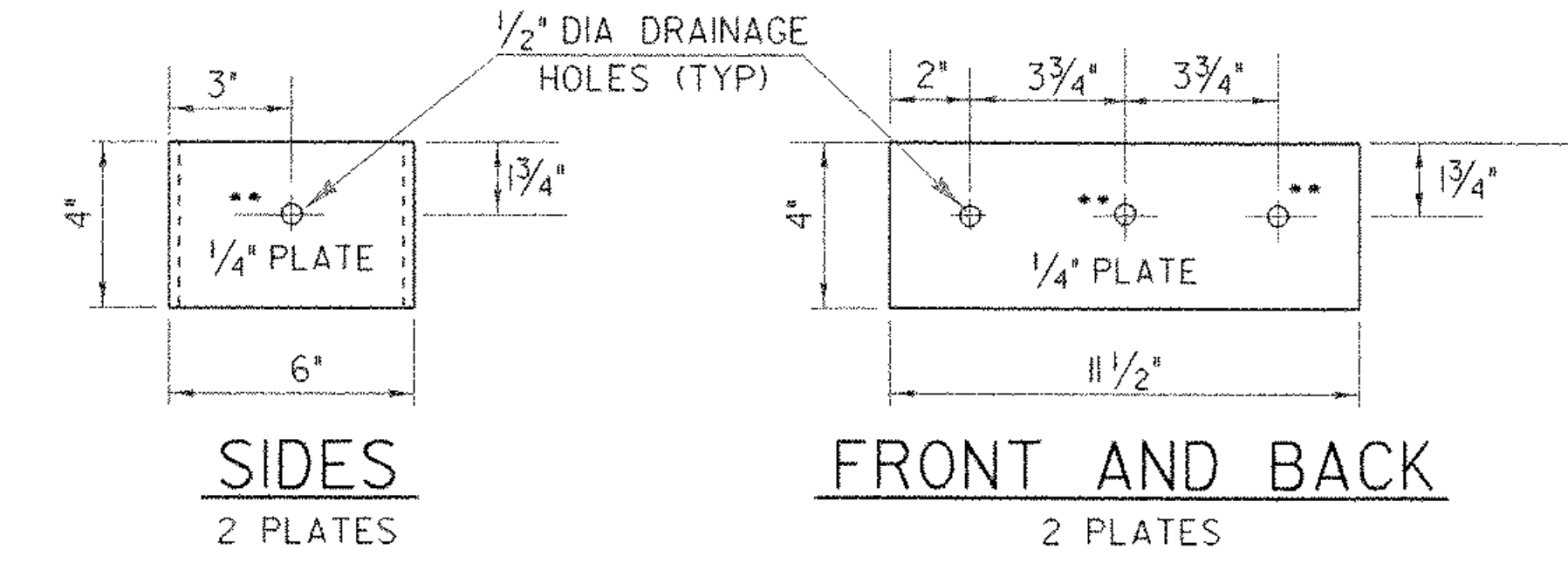
WELD DETAIL

NTS



SCUPPER PLAN

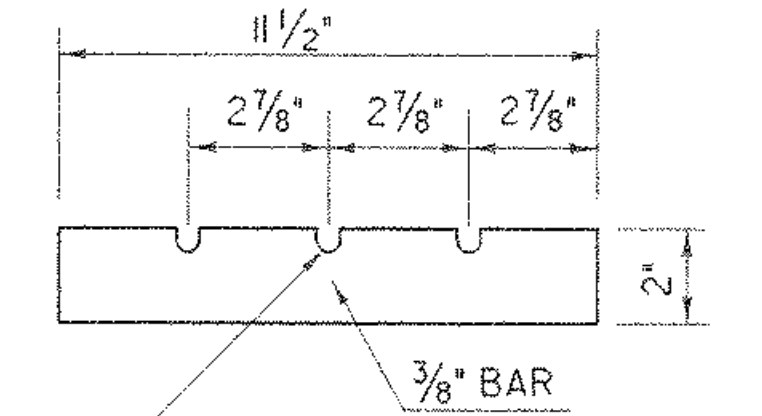
SCALE: 1/2" = 1'-0"



SCUPPER PLATE DETAILS

SCALE: 3" = 1'-0"

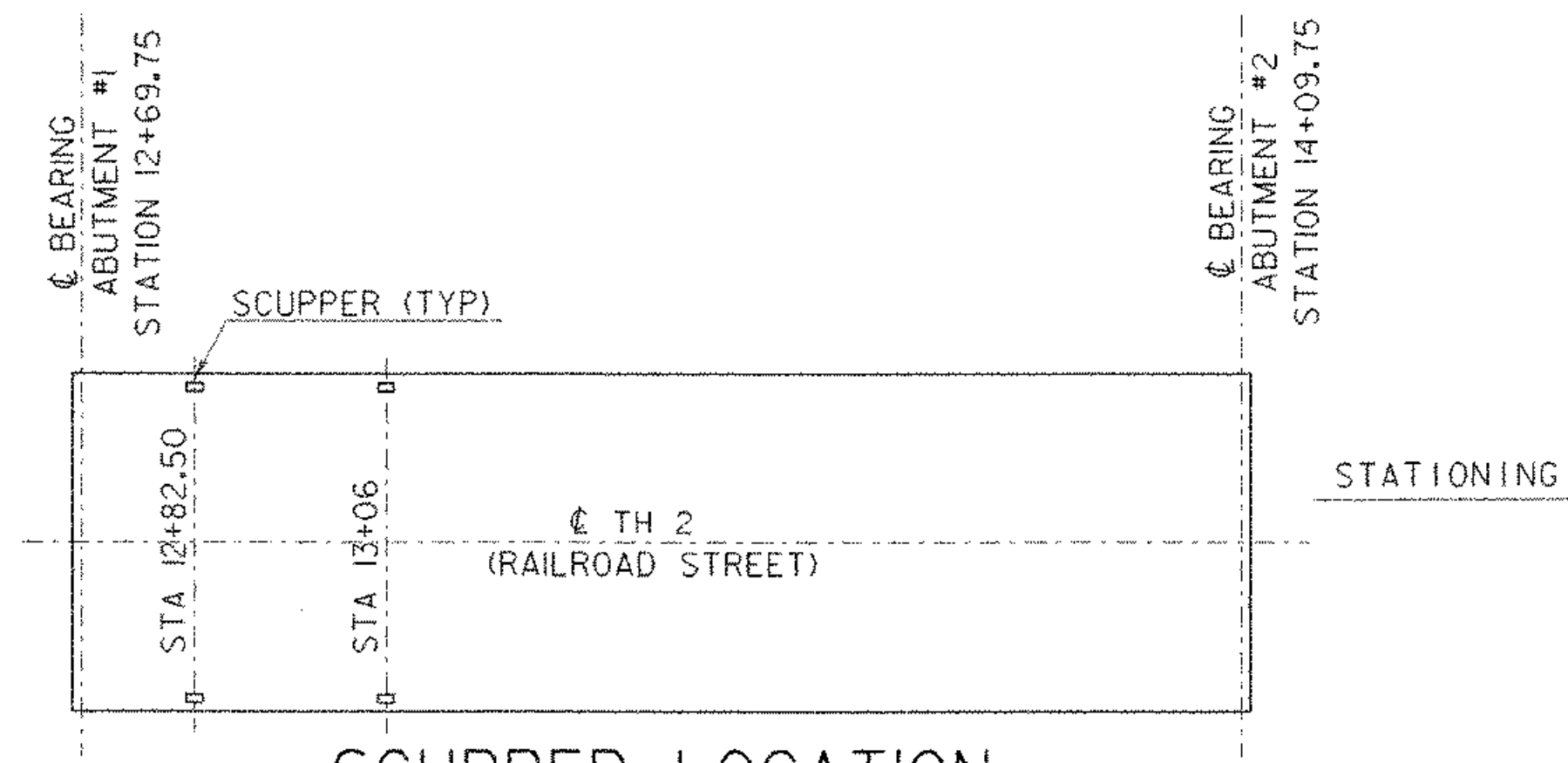
** PUNCH 1/2" DIA HOLES IN SCUPPER PLATES (SIDES AND FRONT) TO ALLOW WATER TO DRAIN OFF MEMBRANE AND CONCRETE



BAR DETAIL

SCALE: 3" = 1'-0"

- NOTES**
1. ALL REQUIRED WELDS FOR THE SCUPPERS SHALL BE DETAILED ON SHOP DRAWINGS WHICH SHALL INCLUDE ALL OF THE APPLICABLE PROCEDURES.
 2. AFTER FABRICATION, THE SCUPPERS, ANGLES AND PLATES SHALL BE GALVANIZED IN ACCORDANCE WITH AASHTO M-111 AND PAINTED IN ACCORDANCE WITH SUPPLEMENTAL SPECIFICATION 513. THE FINAL COLOR SHALL BE BLACK COLOR CHIP #27038. THIS SHOP APPLIED PAINT SHALL BE PAID FOR UNDER THE ITEM 513.25 "STRUCTURE PAINTING-SHOP APPLIED."
 3. THE HOLES IN THE W18X50 MAY BE FIELD DRILLED. ANY DAMAGE CAUSED TO THE STRINGER OR THE PAINT SYSTEM DURING FIELD DRILLING OPERATIONS SHALL BE REPAIRED AT THE CONTRACTORS EXPENSE TO THE ENGINEERS SATISFACTION.
 4. THE STRUCTURAL STEEL TUBING SHALL CONFORM TO ASTM A500 GR.B. ALL OTHER COMPONENTS OF THE SCUPPER SHALL CONFORM TO AASHTO M-270, GRADE 50. SCUPPERS SHALL BE PAID FOR UNDER THE ITEM 506.60 "STRUCTURAL STEEL".
 5. THE TOP SURFACE OF THE SCUPPER SHALL BE SLOPED TO MATCH THE ROADWAY SLOPE AND GRADE.
 6. AFTER ALL PAVING OPERATIONS ARE FINISHED THE SCUPPERS SHALL BE CLEANED OF ANY CONTAMINATION FROM CONSTRUCTION.



SCUPPER LOCATION

HORIZONTAL SCALE: 1" = 20' - 0"
VERTICAL SCALE: 1" = 10' - 0"

SHEET NAME: SCUPPER DETAILS	
PROJECT NAME: JOHNSON	HIGHWAY NO.: TH 2
PROJECT NUMBER: BHO 1448(18)	BRIDGE NO.: 6
	OVER: THE LAMOILLE RIVER
FILE NAME: /s/r1/90j067/sj067sup.dgn	PLOT DATE: 02-SEP-2005
PROJECT MANAGER: R. WHITCOMB	DRAWN BY: C. MEUNIER
DESIGNED BY: C. MEUNIER	IPARM NAME: sc067scp.i
BRIDGE SHEET NUMBER:	SHEET 21 OF 73