

**REV CURVE NO. 1 DATA**

Δ = 11° 00' 46" RT
D = 15'
R = 381.97
T = 36.82
L = 73.42
E = 1.77

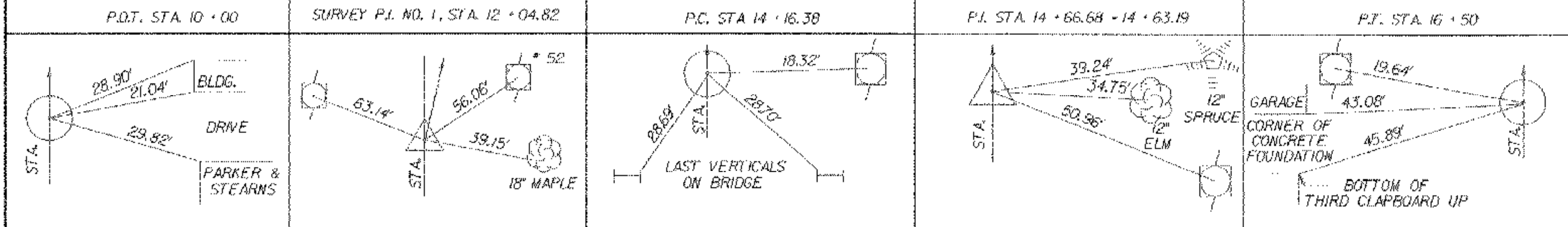
**SURVEY CURVE NO. 2 DATA**

Δ = 36° 54' 10"
D = 38' 00" 00"
R = 150.78
T = 50.30
L = 97.11
E = 8.17

**EXISTING BRIDGE DATA**

STEEL TRUSS BRIDGE WITH CONCRETE DECK  
 MAXIMUM SPAN = 140'-0"  
 OVERALL LENGTH = 143'-0"  
 CURB TO CURB WIDTH = 20'-0"  
 @ TRUSS TO @ TRUSS = 23'-0"

**PLAN**  
 SCALE 1" = 20'-0"  
 20 0 20



<b>SHEET NAME: PLAN SHEET</b>	
PROJECT NAME: JOHNSON	HIGHWAY NO.: TH 2
PROJECT NUMBER: BHO 1448(18)	BRIDGE NO.: 6
FILE NAME: /PW/90J067/sj067bdr.dgn	OVER: THE LAMOILLE RIVER
PROJECT MANAGER: R. WHITCOMB	PLOT DATE: 02-SEP-2005
DESIGNED BY: C. MEUNIER	DRAWN BY: S. MAGNAN
BRIDGE SHEET NUMBER:	IPARM NAME: sc067tbl
	SHEET 9 OF 13