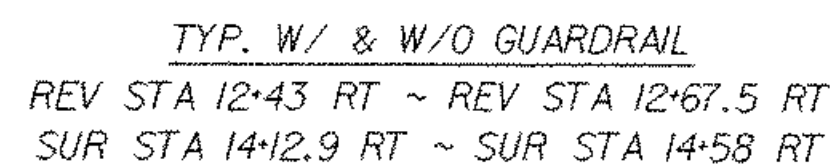


**TYPICAL ROADWAY SECTION**

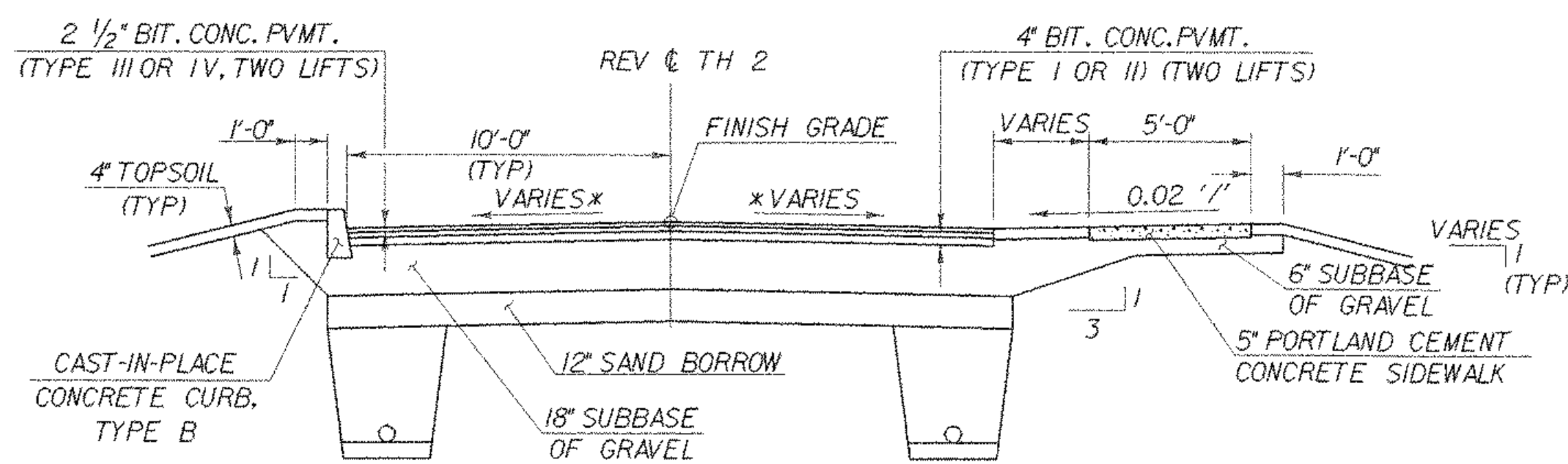
SCALE: 1/4" = 1'-0"

REV STA 14:12 ~ REV STA 15:00 LT & RT



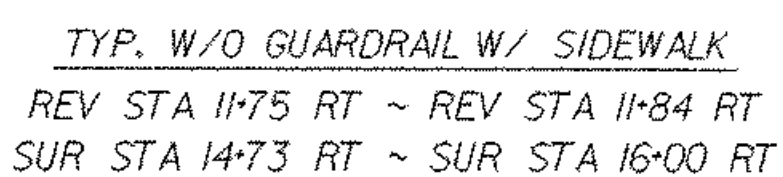
**SIDELINE "A" TYPICAL SECTION  
RIVER ROAD (TH 45)**

SCALE: 1/4" = 1'-0"



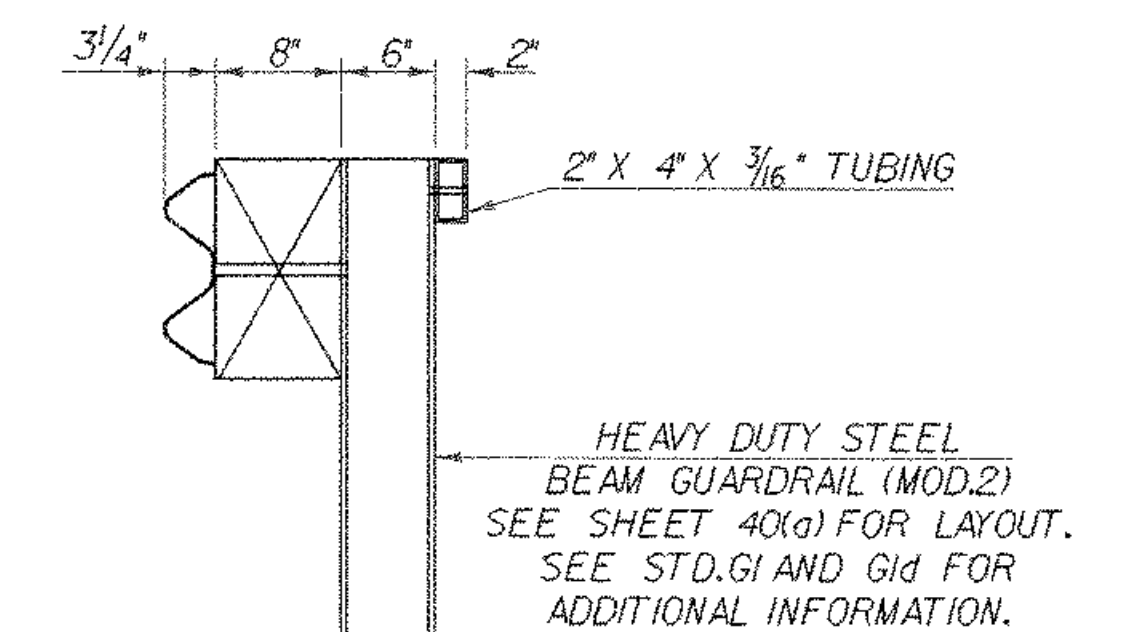
**TYPICAL ROADWAY SECTION**

SCALE: 1/4" = 1'-0"



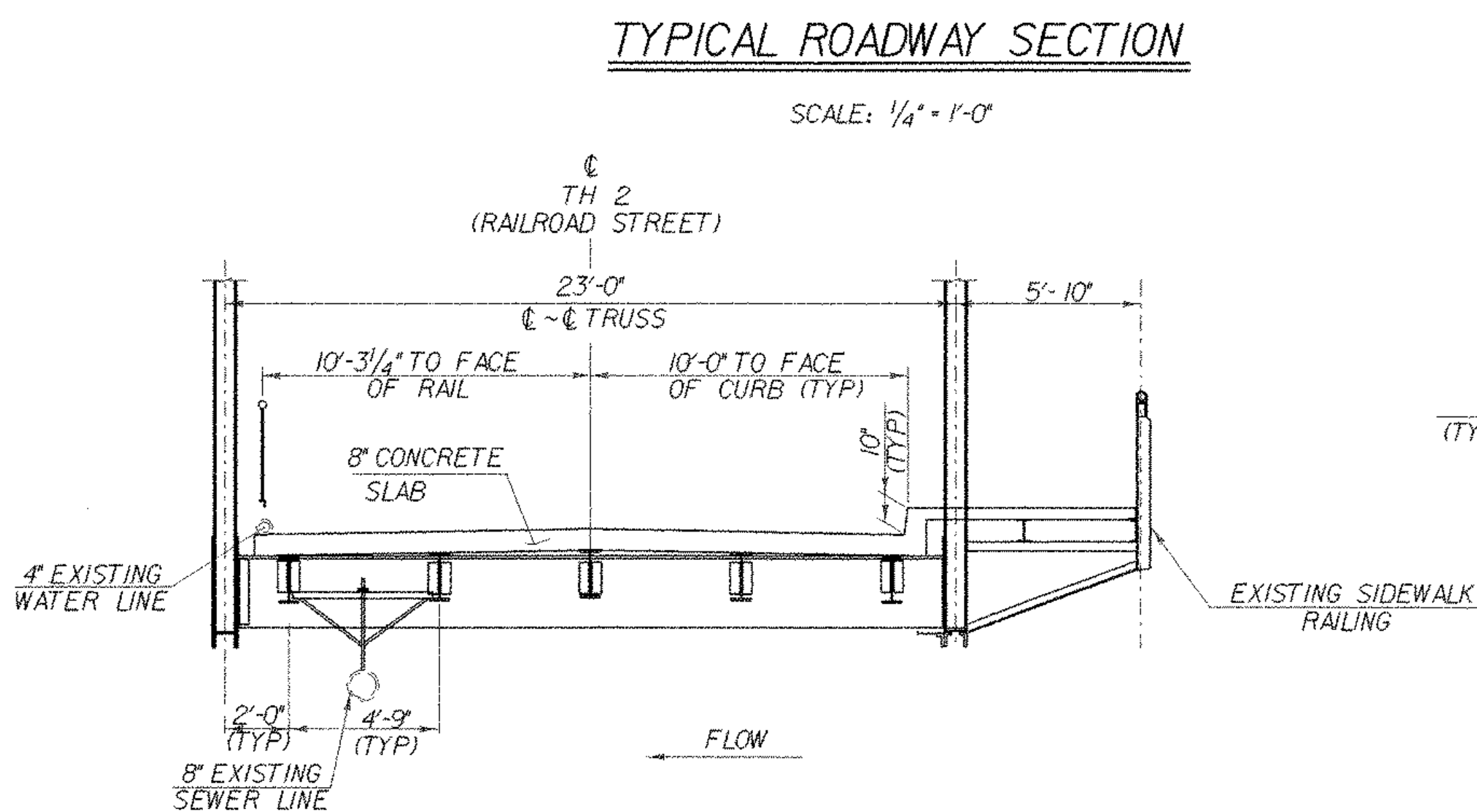
**SIDELINE "B" TYPICAL SECTION  
RIVER STREET (TH 60)**

SCALE: 1/4" = 1'-0"



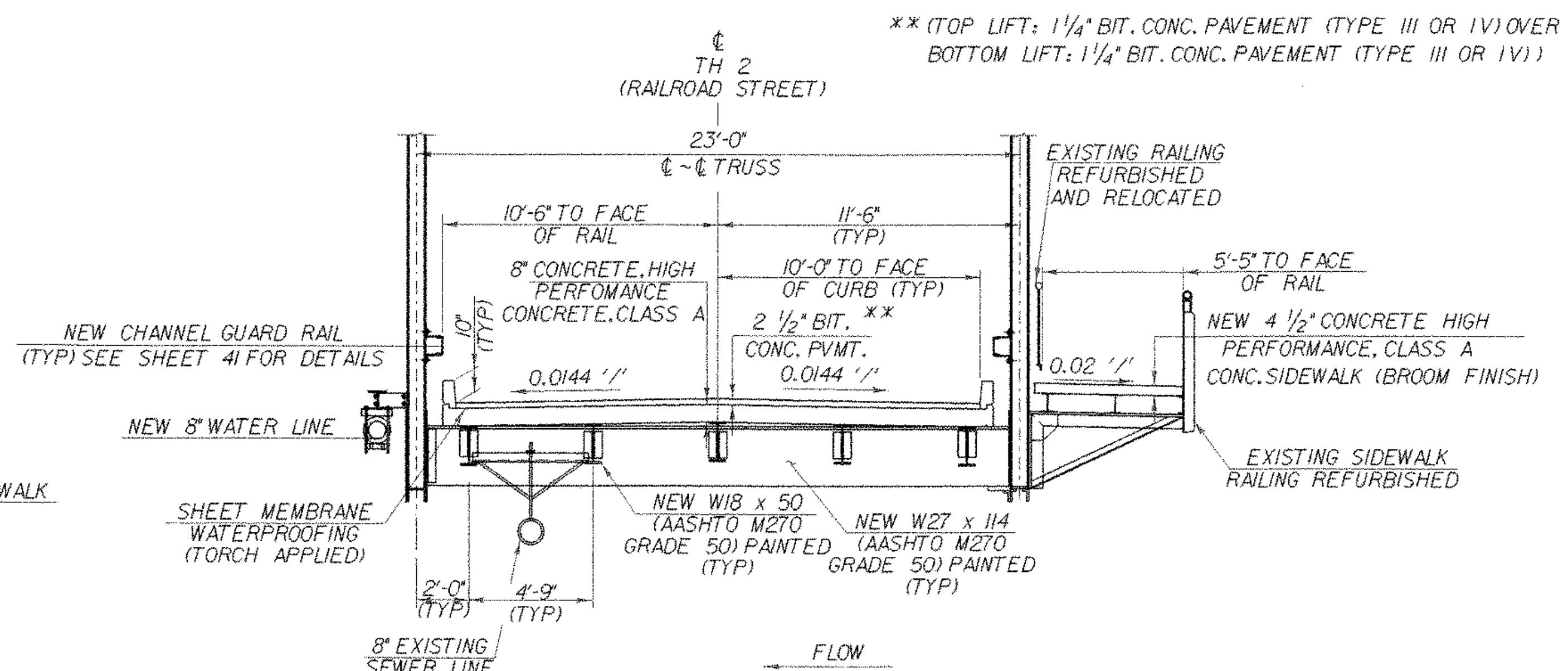
**GUARD RAIL DETAIL**

SCALE: 1" = 1'-0"



**EXISTING TYPICAL BRIDGE SECTION**

SCALE: 1/4" = 1'-0"



**NEW TYPICAL BRIDGE SECTION**

SCALE: 1/4" = 1'-0"

MATERIAL ITEM	TOLERANCE
PAVEMENT	± 1/4" TOTAL THICKNESS
BASE COURSE	± 1/2"
SUBBASE	± 1"
SAND BORROW	± 1"

SHEET NAME: TYPICAL SECTIONS		
PROJECT NAME: JOHNSON	HIGHWAY NO.: TH 2	
PROJECT NUMBER: BHO 1448(18)	BRIDGE NO.: 6	
	OVER: THE LAMOILLE RIVER	
FILE NAME: /str/190j067/sj067pl.dgn	PLOT DATE: 02-SEP-2005	
PROJECT MANAGER: R. WHITCOMB	DRAWN BY: S. MAGNAN	
DESIGNED BY: C. MEUNIER	IPARM NAME: sc067typ.1	
BRIDGE SHEET NUMBER:	SHEET 3 OF 73	