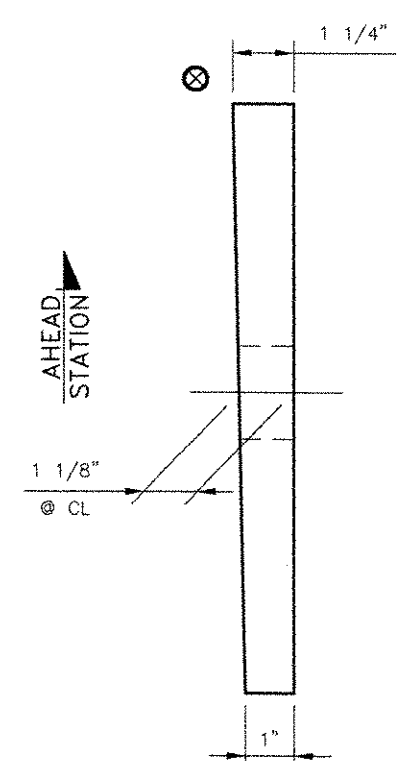
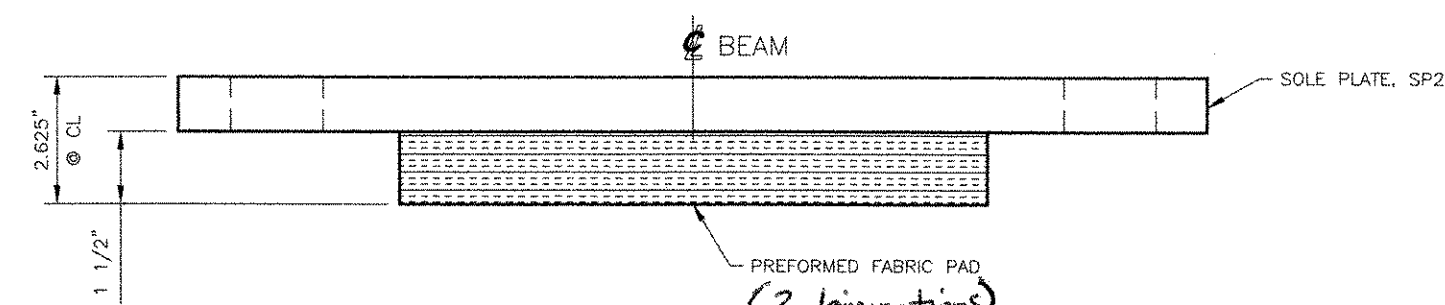


PLAN



SIDE ELEVATION
SOLE PLATE ONLY



FRONT ELEVATION

FIXED BEARING ASSEMBLY

QUANTITY: 4
LOCATE AT:
ASSEMBLY: 1 REPAIR 1 - 4

RECEIVED
CK'D BY: LJS OK'D BY: RCY
MAY 28 2008
RESUBMIT: _____ APPROVED: As Noted
BY: CPW DATE: 6/1/08

ELASTOMERIC BEARING ASS'Y
TYPE: FIXED

TOWN OF READING
ROUTE NO. TH 8, CL. 3

STATE	COUNTY	BRIDGE NO.
VERMONT	WINDSOR	B25

FED. AID PROJECT NO.: BR2 1444 (23)

DYNAMIC RUBBER 1501 ROCKY RIDGE #
A DIVISION OF COSMED, INC. ATHENS, TX 75751

SCALE: NONE	DRAWN BY: SWT	CHECKED BY: KRW
DATE: 5/15/08	DATE: 5/15/08	DATE: 5/15/08

SHEET 2 OF 2
DRP NO.: 9854