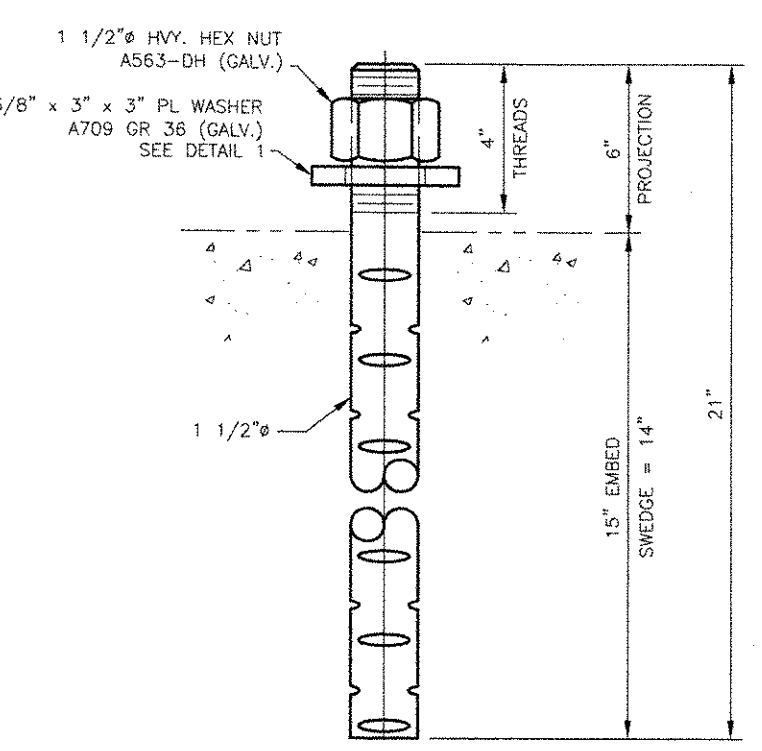
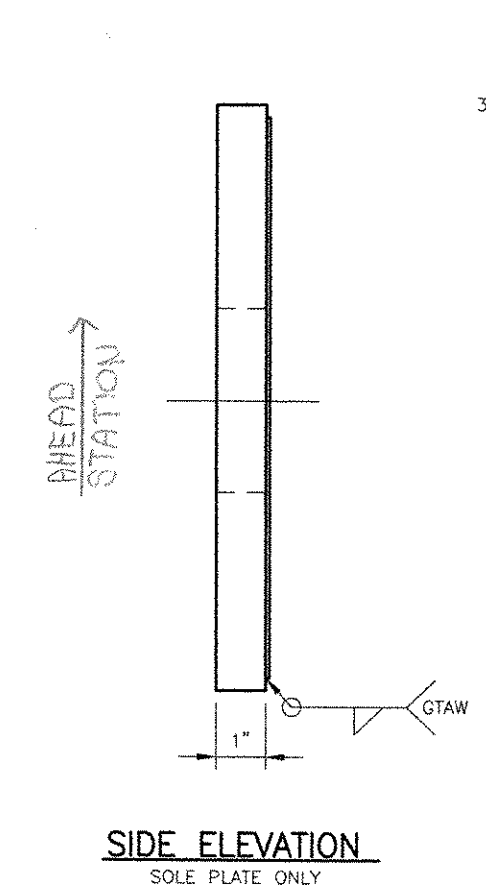
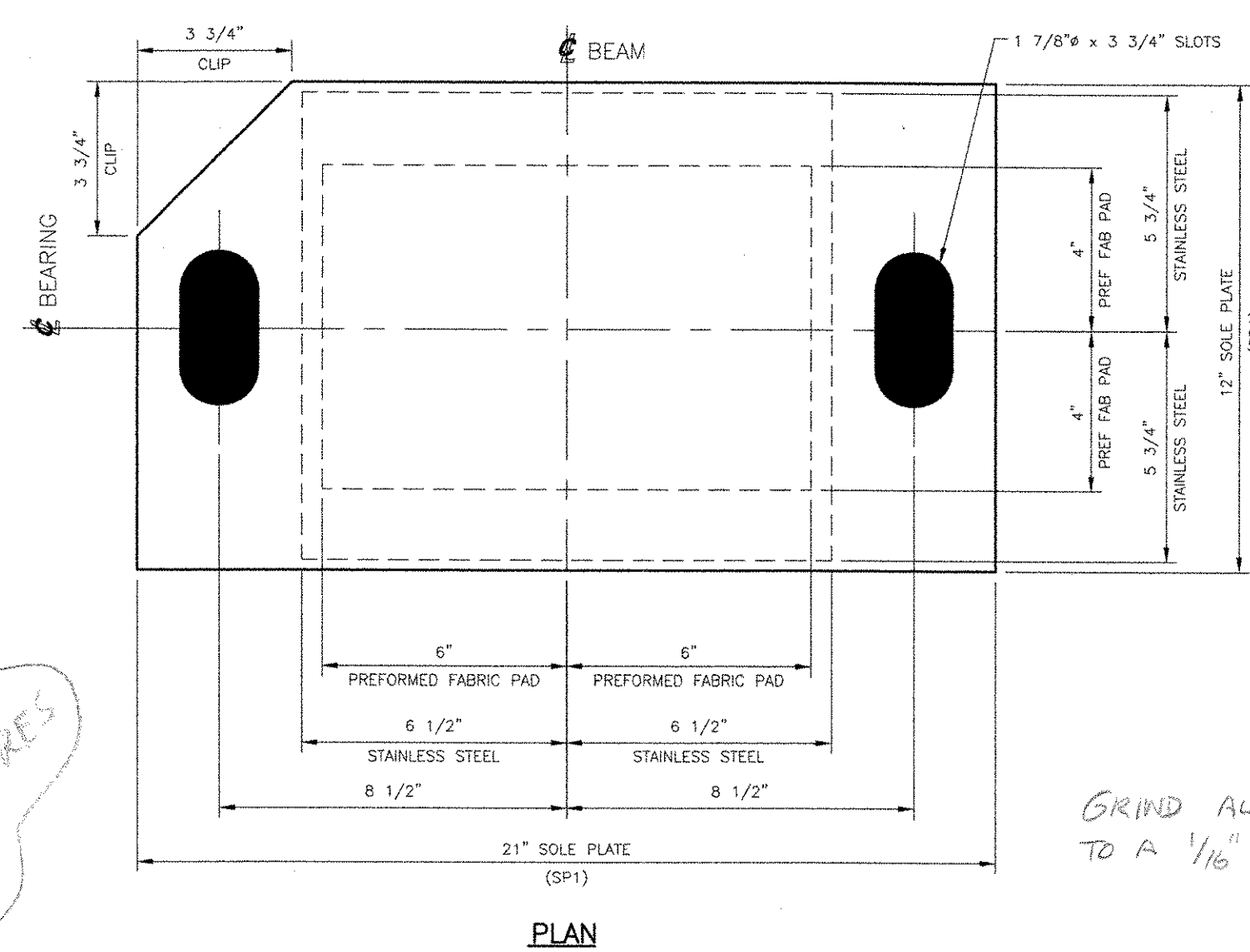
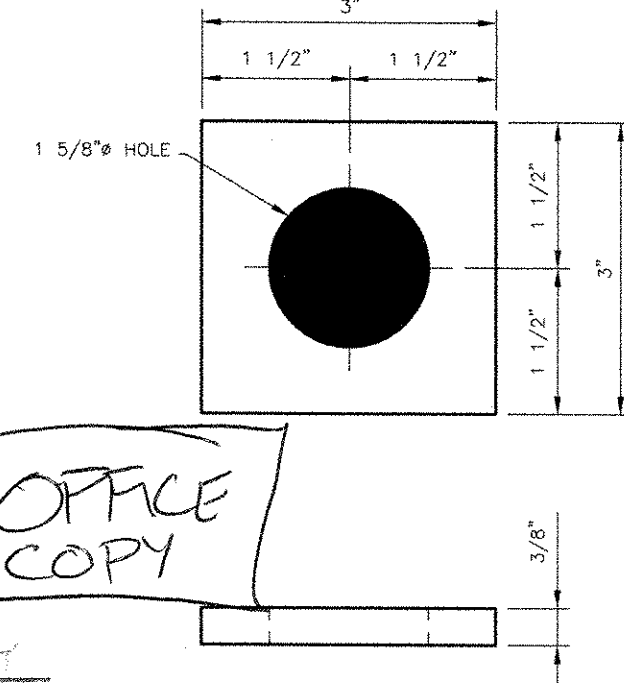
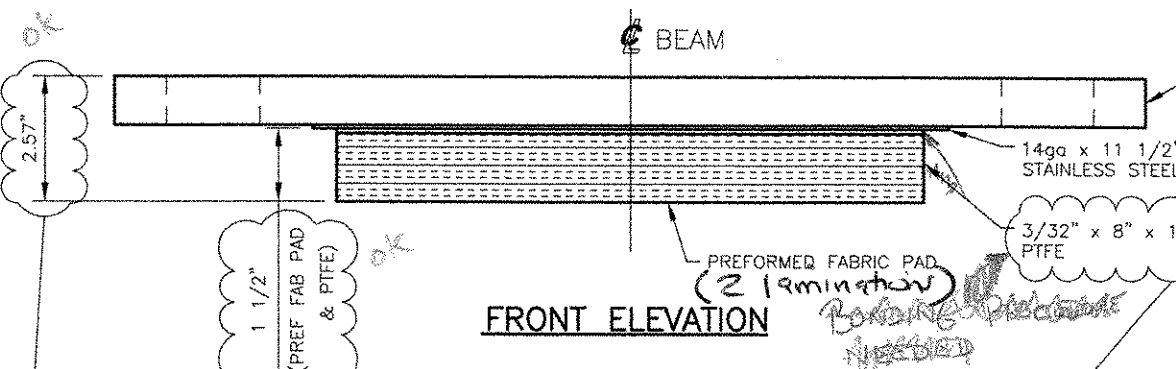


STRUCTURES
COPY



16 ANCHOR BOLTS, AB1
RD 1 1/2" x 21"
ASTM A307 (GALVANIZED)
USE WITH
EXPANSION & FIXED BEARINGS

- NOTES:
1. BEARING SHALL CONFORM TO THE APPLICABLE SUBSECTION 531 AND 731 OF STANDARD SPECIFICATIONS.
 2. STEEL - ASTM A709 GR 36 (METALLIZED)
 3. SURFACES TO BE METALLIZED SHALL BE SEALED WITH AN APPROVED PRIMER.
 4. PREFORMED FABRIC PAD - MIL-C-882
 5. SHOP TO MARK HIGH SIDE OF THE PLATE AND AHEAD STATIONS AS NOTED.
 6. DYNAMIC RUBBER REPRESENTATIVE - MR. ROBERT PATRICK (903) 677-2871



APPROVER: PLEASE VERIFY DIMENSIONS

RECEIVED
MAY 28 2008

DETAIL 1 - PLATE WASHER
QUANTITY: 16
USE WITH
EXPANSION & FIXED BEARINGS

RESUBMIT APPROVED AS NOTED
BY DATE

ELASTOMERIC BEARING ASS'Y
TYPE: EXPANSION

TOWN OF READING
ROUTE NO. TH 8, CL. 3

STATE	COUNTY	BRIDGE NO.
VERMONT	WINDSOR	B25

FED. AID PROJECT NO.: BR2 1444 (23)
DYNAMIC RUBBER
A DIVISION OF COSMEC, INC.

SCALE: NONE	DRAWN BY: SM	CHECKED BY: KRW
SHEET 1 OF 2	DATE: 5/9/2008	DATE: 5/23/2008

DRP NO.: 9854

EXPANSION BEARING ASSEMBLY

QUANTITY: 4
LOCATE AT
APERTMENT 2 BEAMS 1 - 4