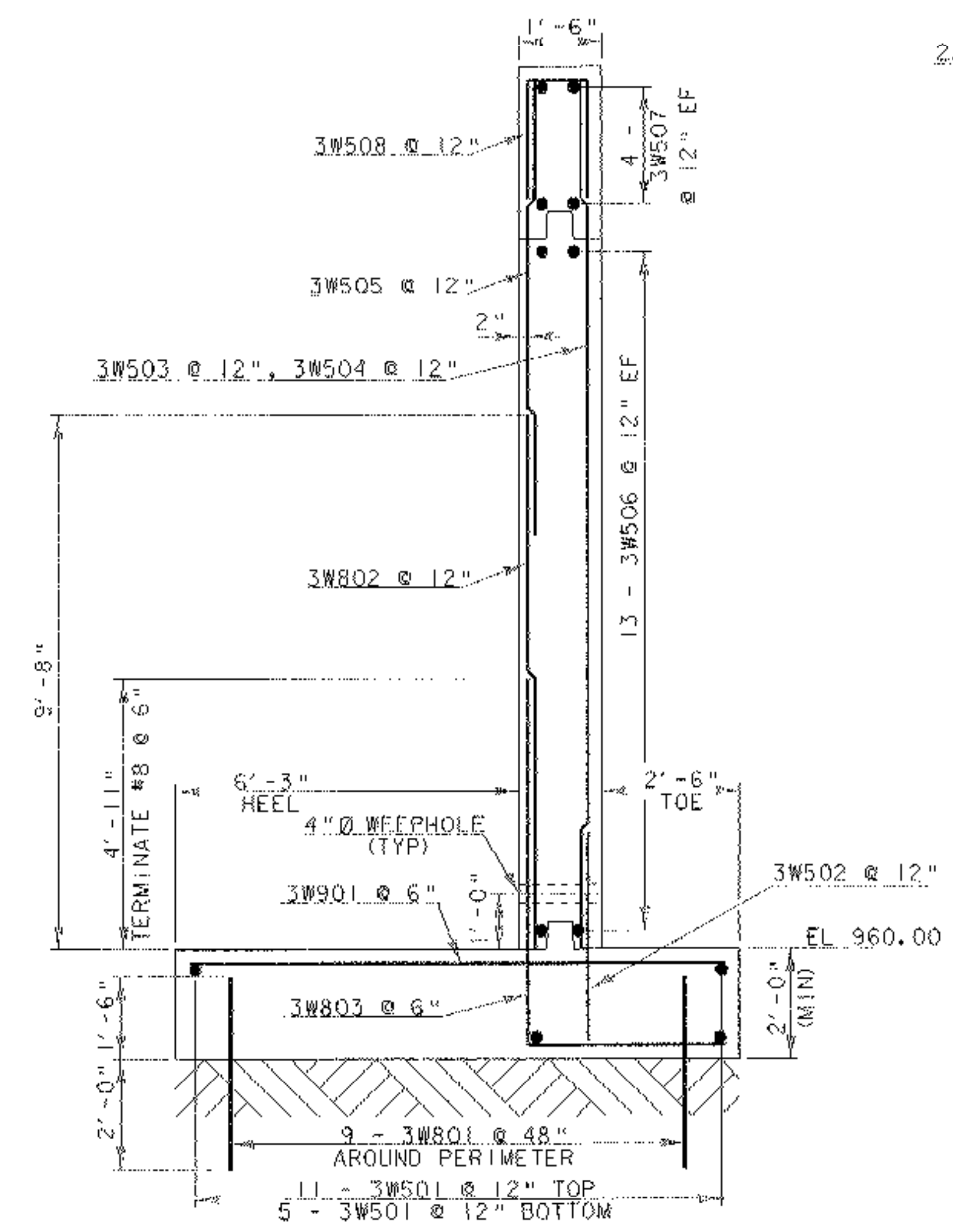


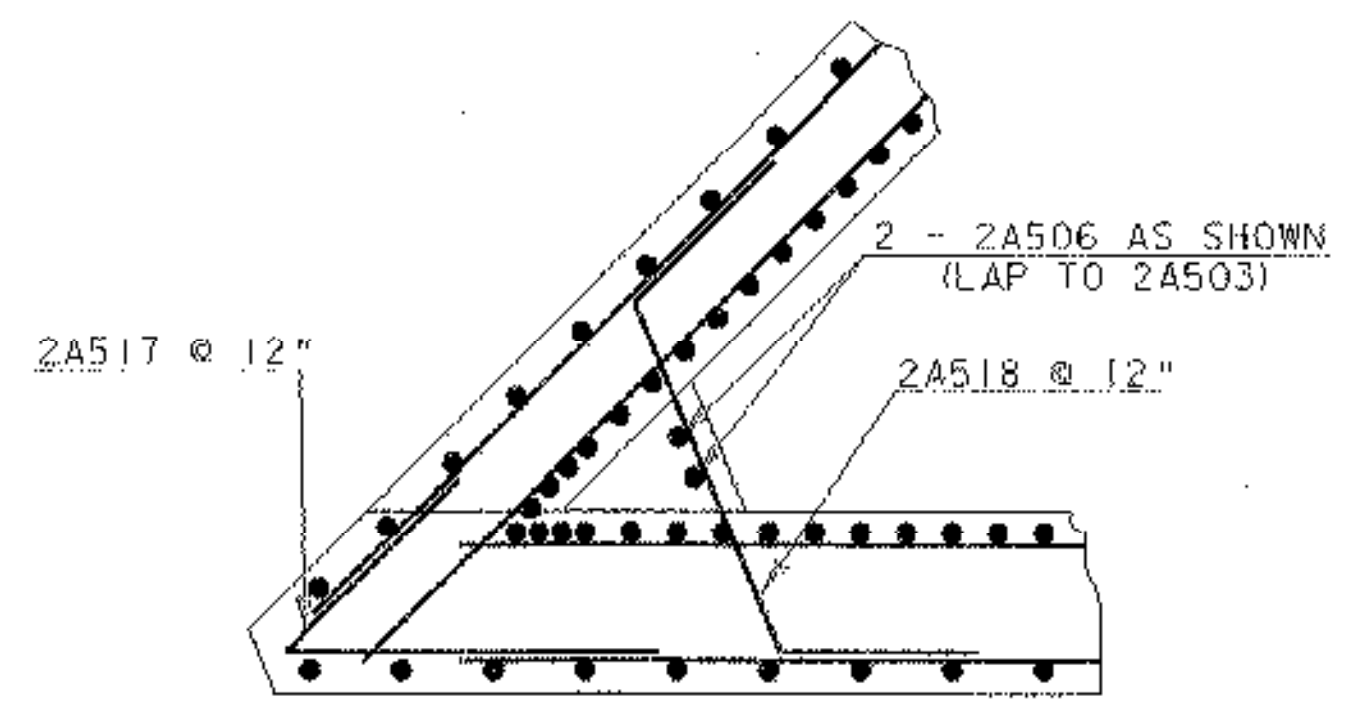
WINGWALL #3 ELEVATION

SCALE 1/2" = 1'-0"
 0 1 2



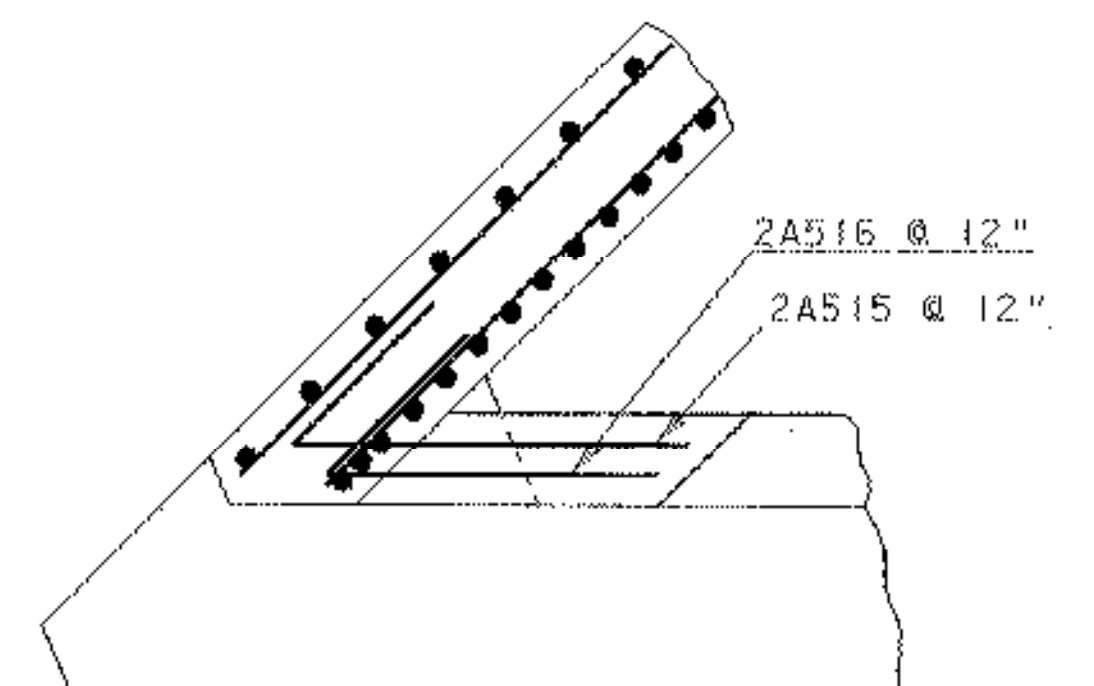
WINGWALL #3 TYPICAL

SCALE 1/2" = 1'-0"
 0 1 2



WINGWALL #3 CORNER DETAILS BELOW BRIDGE SEAT

SCALE 1/2" = 1'-0"
 0 1 2



WINGWALL #3 CORNER DETAILS ABOVE BRIDGE SEAT

SCALE 1/2" = 1'-0"
 0 1 2

NOTE:

- NF = NEAR FACE
- FF = FAR FACE
- EF = EACH FACE
- ▲ = CUT TO FIT IN FIELD
- 3" CLR. UNLESS OTHERWISE SPECIFIED ON PLANS.
- ALL LAPS NOT OTHERWISE DETAILED SHALL BE 2'-2".

STATE OF VERMONT AGENCY OF TRANSPORTATION

Town Of	READING	Bridge No.	25
Highway No.	TH 8	Log Sta.	
		Surv. Sta.	
WINGWALL #3 DETAILS			
TH 8 OVER MILL BROOK			
Designed By	R. S. YOUNG	Drawn By	P. G. JARVIS
Checked By	R. S. YOUNG	Date	10/00
		Bridge Design Supervisor	C. P. WILLIAMS Date 10/00
PROJECT	READING	PROJECT NO.	BRZ 1444 (23)
I.G.C. Info. M:\Projects\90\058\Structures\9058sub.dgn			
Bridge Sheet No.	sj058vw3.1	Sheet	24 of 49