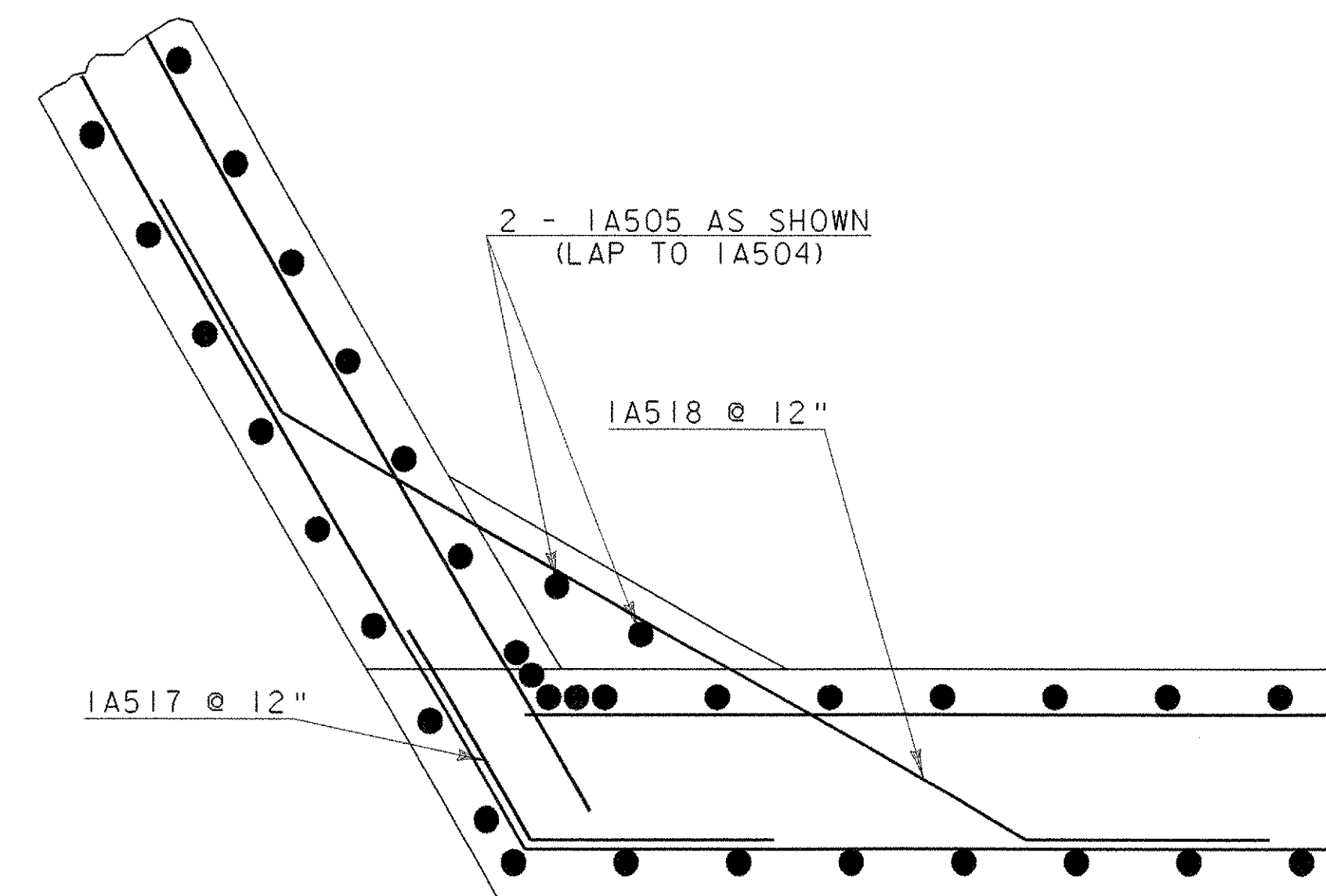
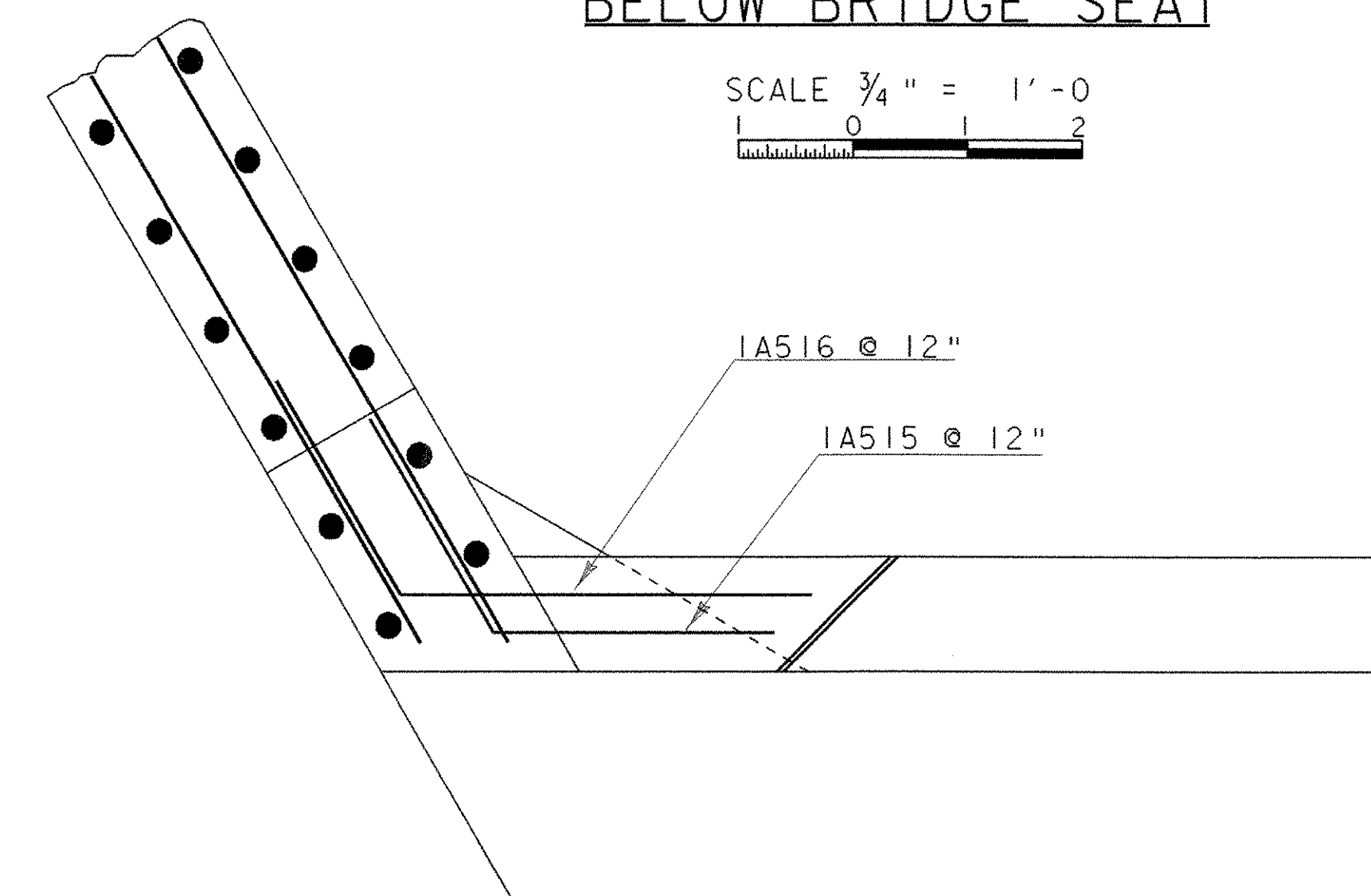


DETAIL A
NTS



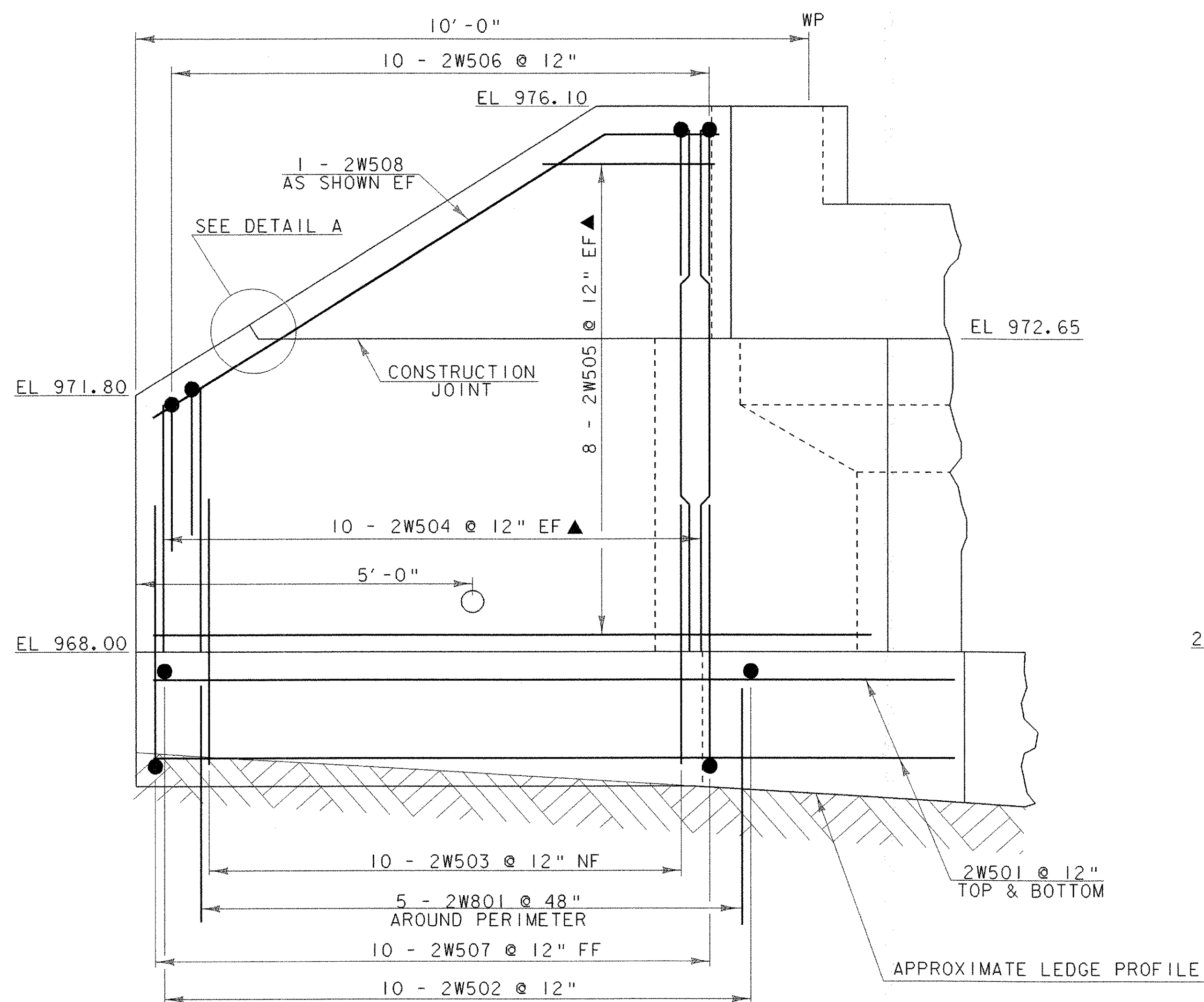
**WINGWALL #2
CORNER DETAILS
BELOW BRIDGE SEAT**

SCALE $\frac{3}{4}$ " = 1'-0"
0 1 2



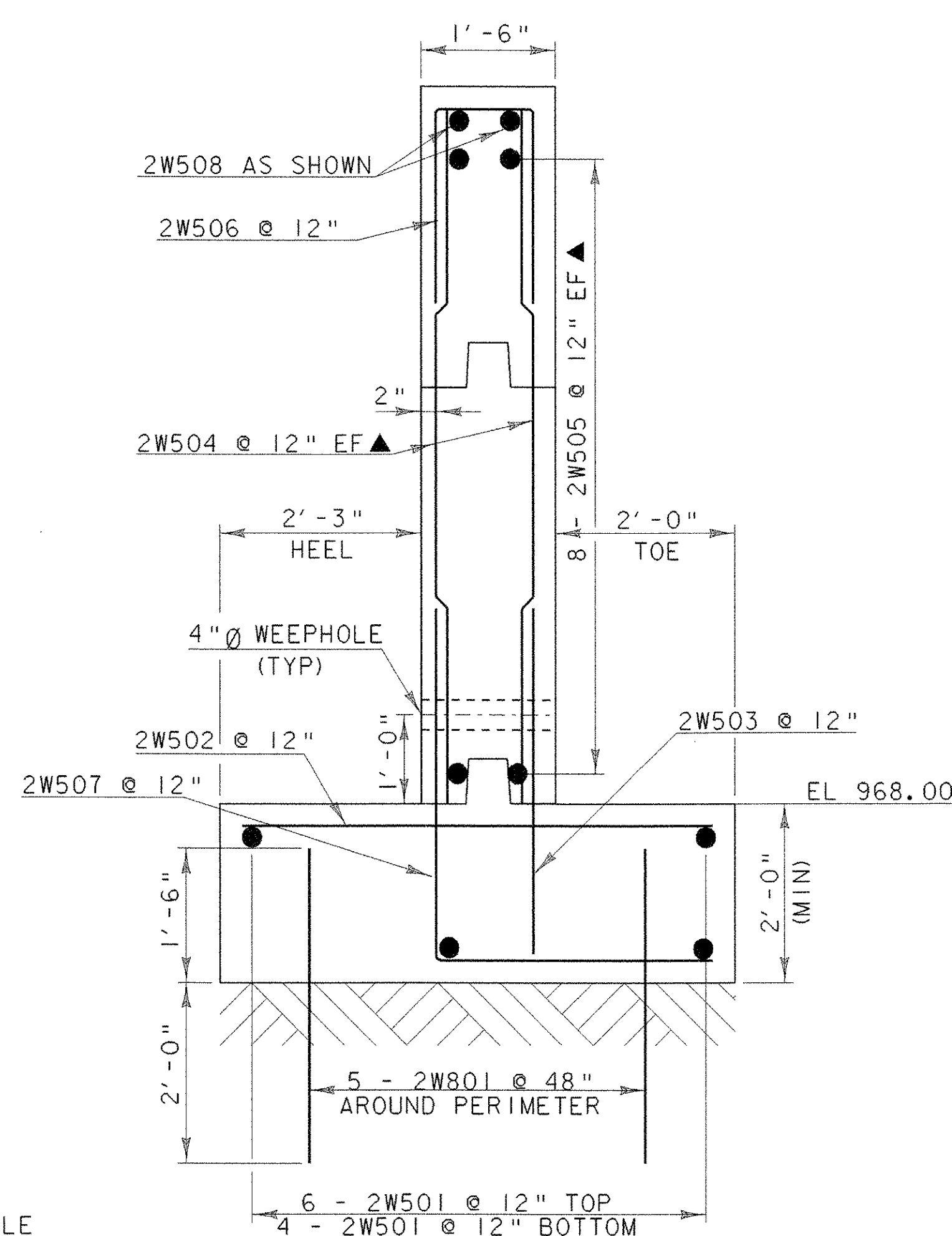
**WINGWALL #2
CORNER DETAILS
ABOVE BRIDGE SEAT**

SCALE $\frac{3}{4}$ " = 1'-0"
0 1 2



WINGWALL #2 ELEVATION

SCALE $\frac{3}{4}$ " = 1'-0"
0 1 2



WINGWALL #2 TYPICAL

SCALE $\frac{3}{4}$ " = 1'-0"
0 1 2

NOTE:

NF = NEAR FACE
FF = FAR FACE
EF = EACH FACE
▲ = CUT TO FIT IN FIELD
3" CLR. UNLESS OTHERWISE SPECIFIED ON PLANS.
ALL LAPS NOT OTHERWISE DETAILED SHALL BE 2'-2".

**STATE OF VERMONT
AGENCY OF TRANSPORTATION**

Town Of	READING	Bridge No.	25
Highway No.	TH 8	Log Sta.	
		Surv. Sta.	
WINGWALL #2 DETAILS			
TH 8 OVER MILL BROOK			
Designed By	R.S. YOUNG	Drawn By	P.G. JARVIS
Checked By	Date	Bridge Design Supervisor	
	R.S. YOUNG 10/00	C.P. WILLIAMS	Date 10/00
PROJECT	READING	PROJECT NO.	BRZ 1444 (23)
I.G.C. Info. M:\Projects\90\058\Structures\sj058sub.dgn			
Bridge Sheet No. sj058ww2.i		Sheet 23 of 49	