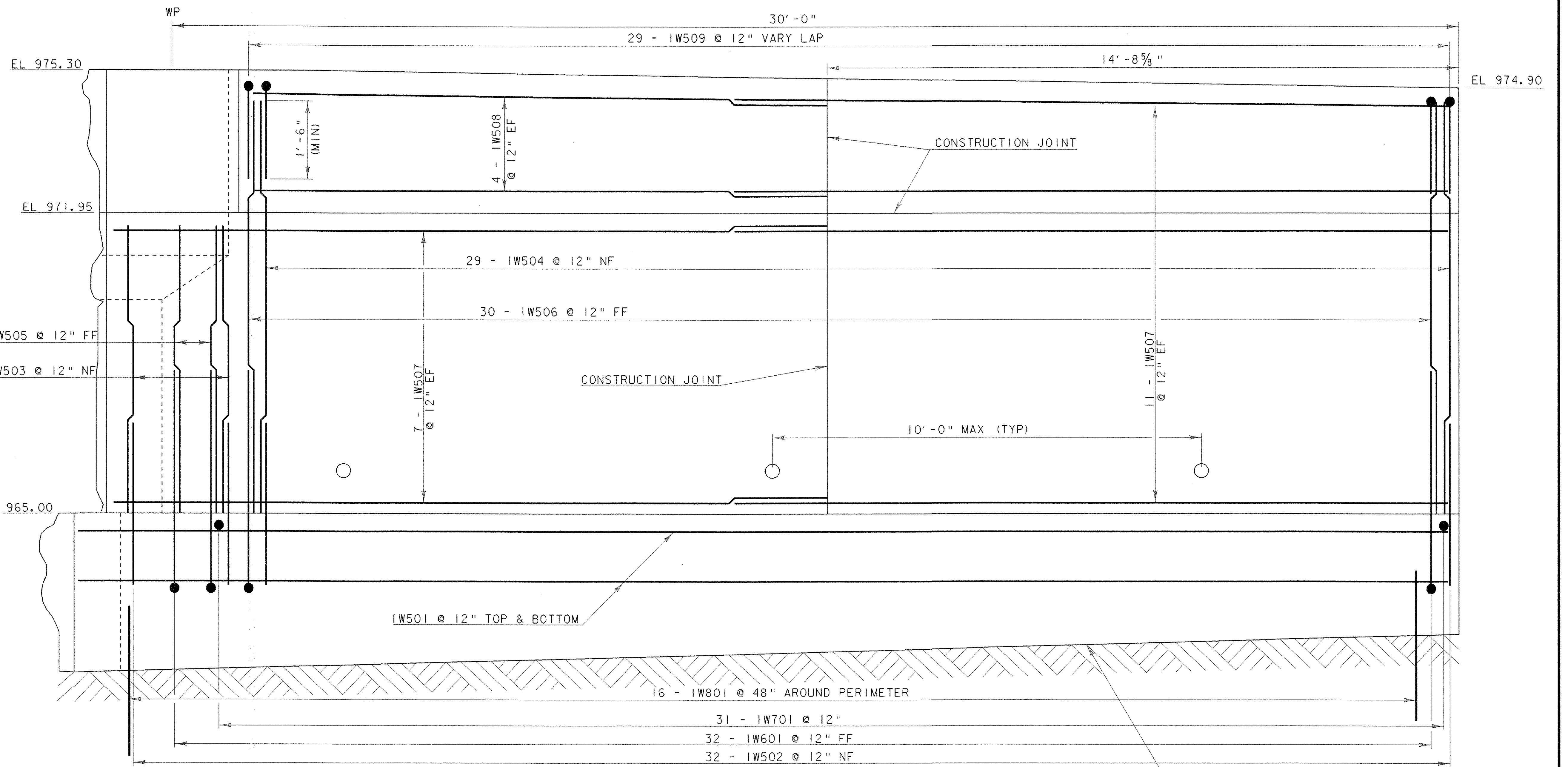


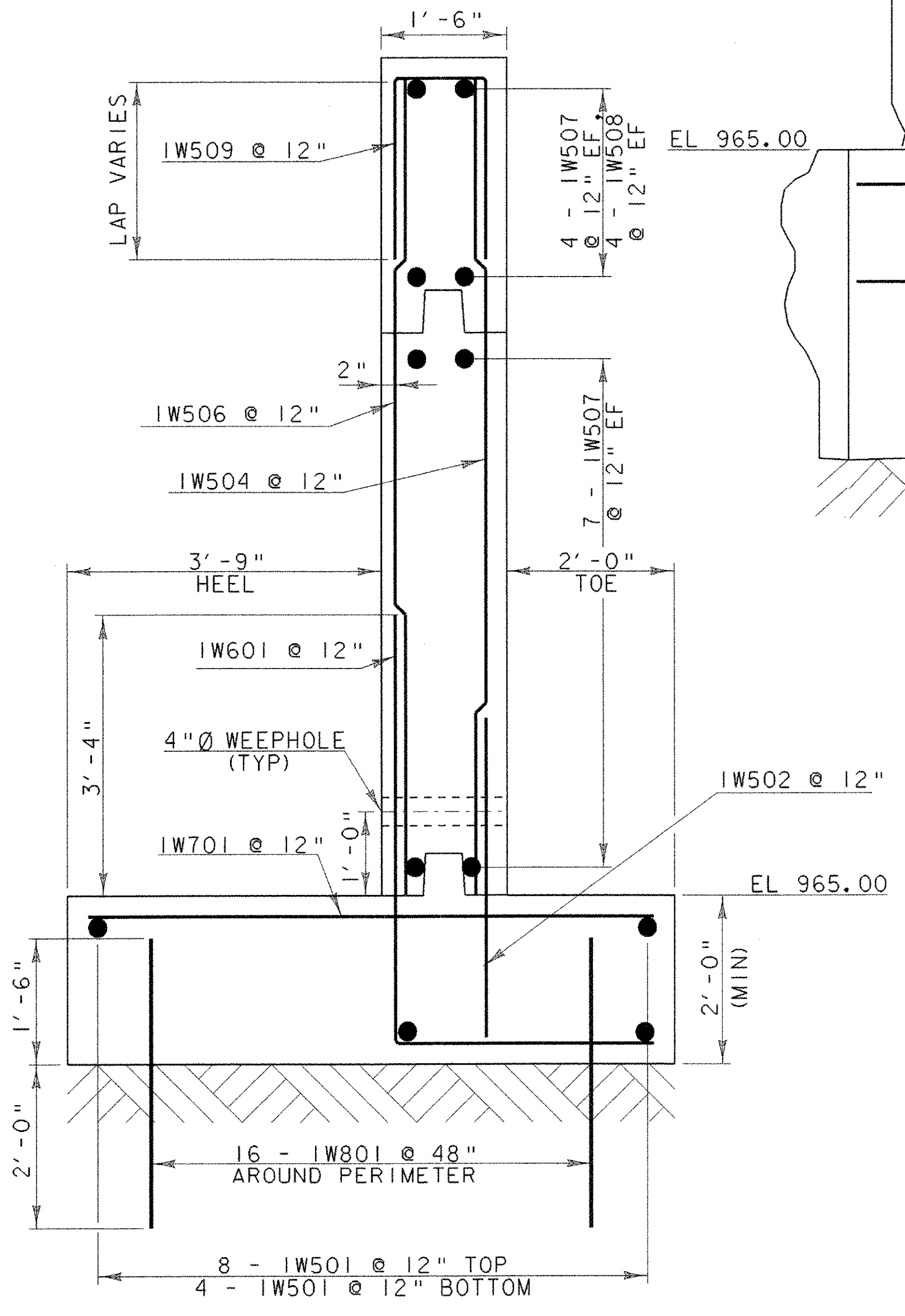
NOTE:

NF = NEAR FACE
 FF = FAR FACE
 EF = EACH FACE
 ▲ = CUT TO FIT IN FIELD
 3" CLR. UNLESS OTHERWISE SPECIFIED ON PLANS.
 ALL LAPS NOT OTHERWISE DETAILED SHALL BE 2'-2".



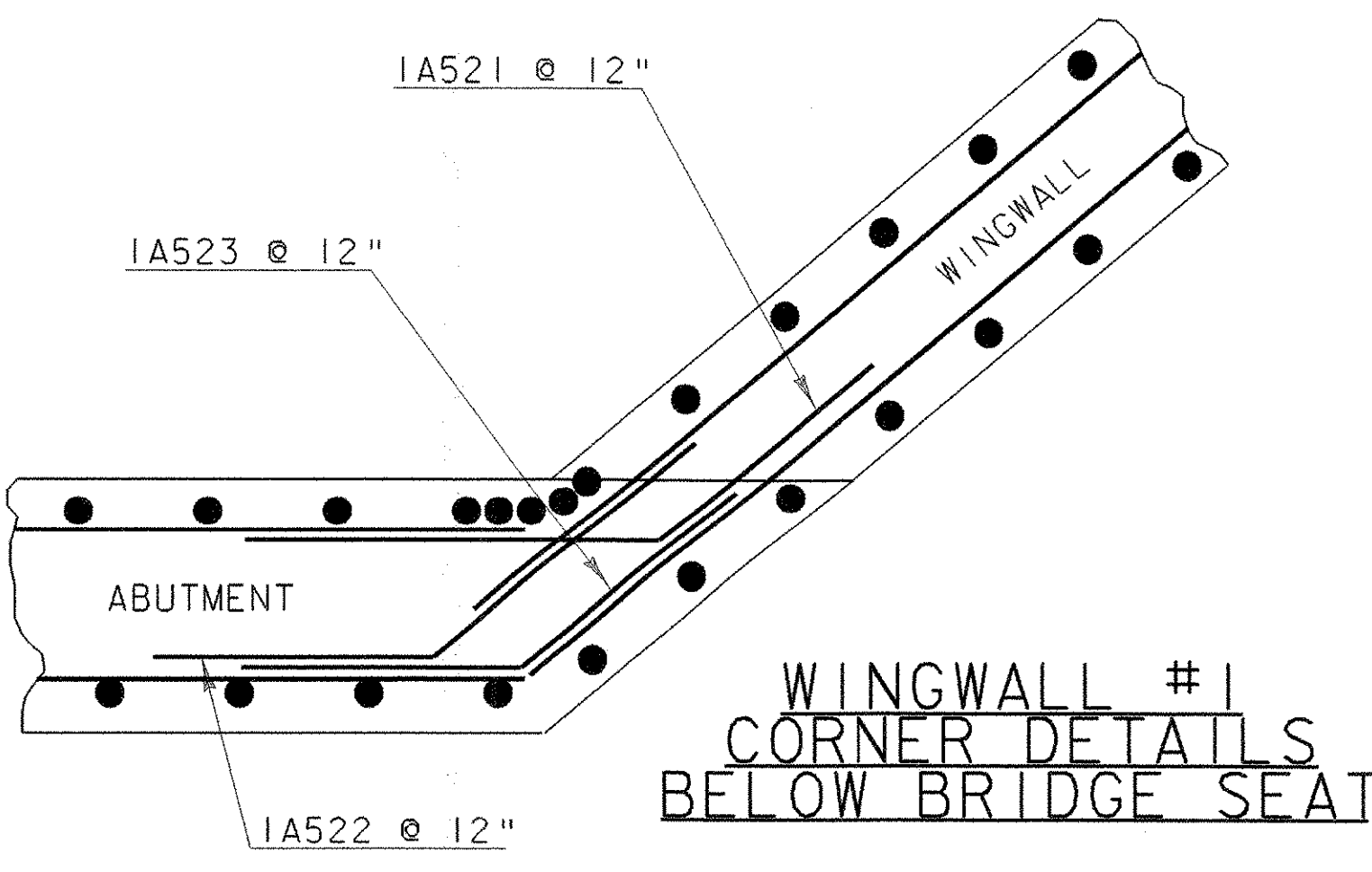
WINGWALL #1 ELEVATION

SCALE 3/4" = 1'-0"
 0 1 2



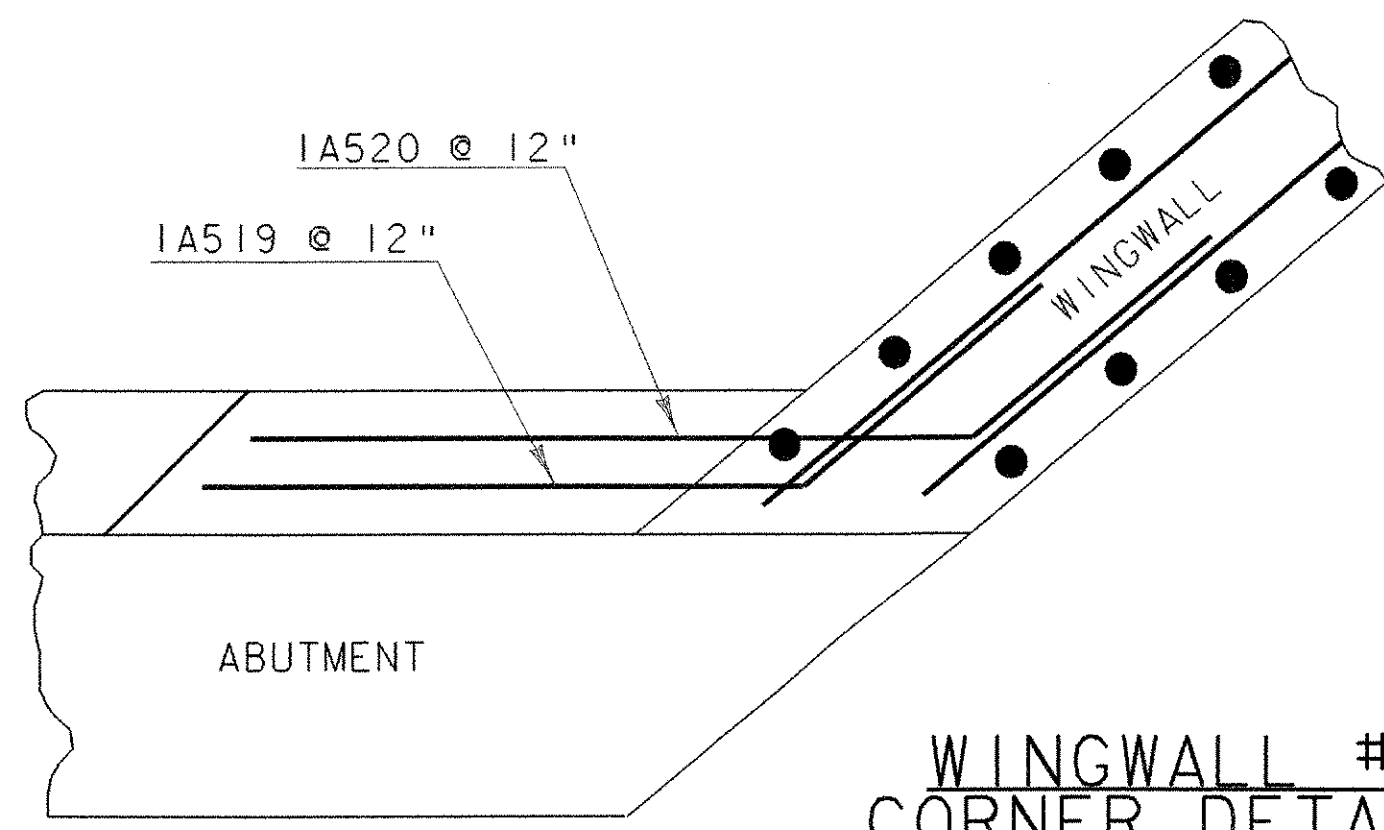
WINGWALL #1 TYPICAL

SCALE 3/4" = 1'-0"
 0 1 2



WINGWALL #1 CORNER DETAILS BELOW BRIDGE SEAT

SCALE 3/4" = 1'-0"
 0 1 2



WINGWALL #1 CORNER DETAILS ABOVE BRIDGE SEAT

SCALE 3/4" = 1'-0"
 0 1 2

STATE OF VERMONT AGENCY OF TRANSPORTATION			
Town Of	READING	Bridge No.	25
Highway No.	TH 8	Log Sta.	
		Surv. Sta.	
WINGWALL #1 DETAILS			
TH 8 OVER MILL BROOK			
Designed By	R. S. YOUNG	Drawn By	P. G. JARVIS
Checked By	Date	Bridge Design Supervisor	
	R. S. YOUNG 10/00	C. P. WILLIAMS Date 10/00	
PROJECT	READING	PROJECT NO.	BRZ 1444 (23)
I.G.C. Info. M:\Projects\90j058\Structures\sj058sub.dgn			
Bridge Sheet No.	sj058wwl.i	Sheet 22 of 49	