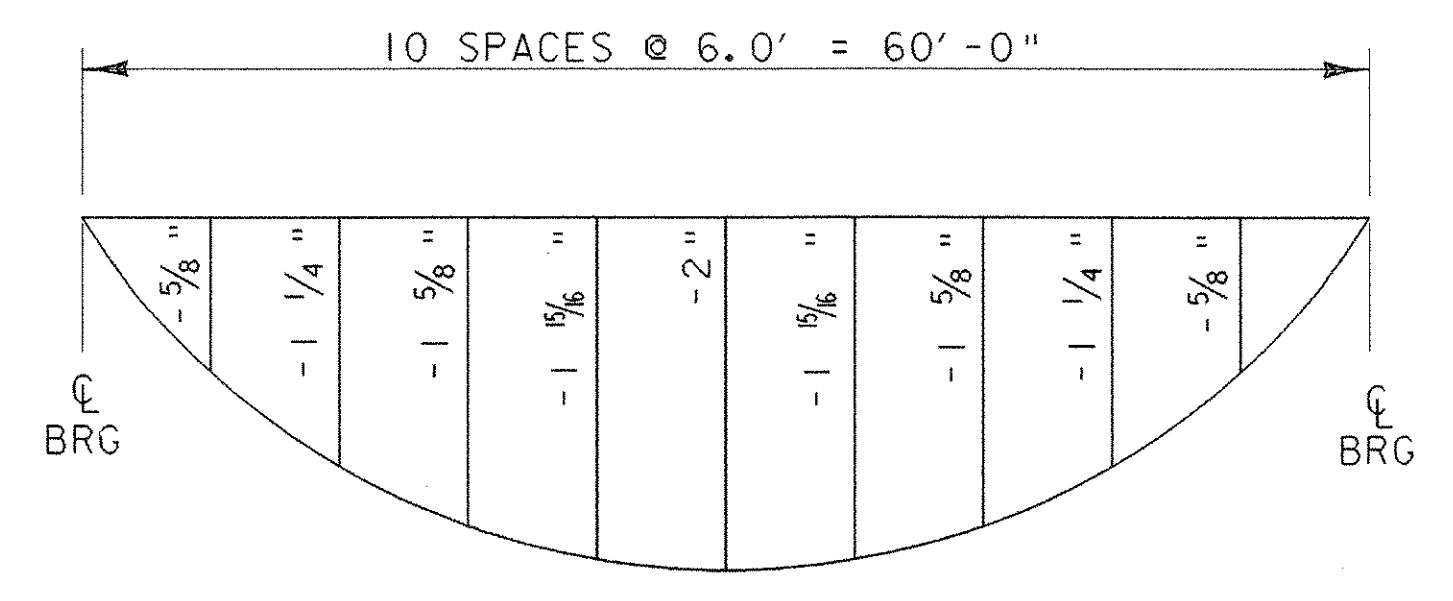


FRAMING PLAN

SCALE 1/4" = 1'-0"

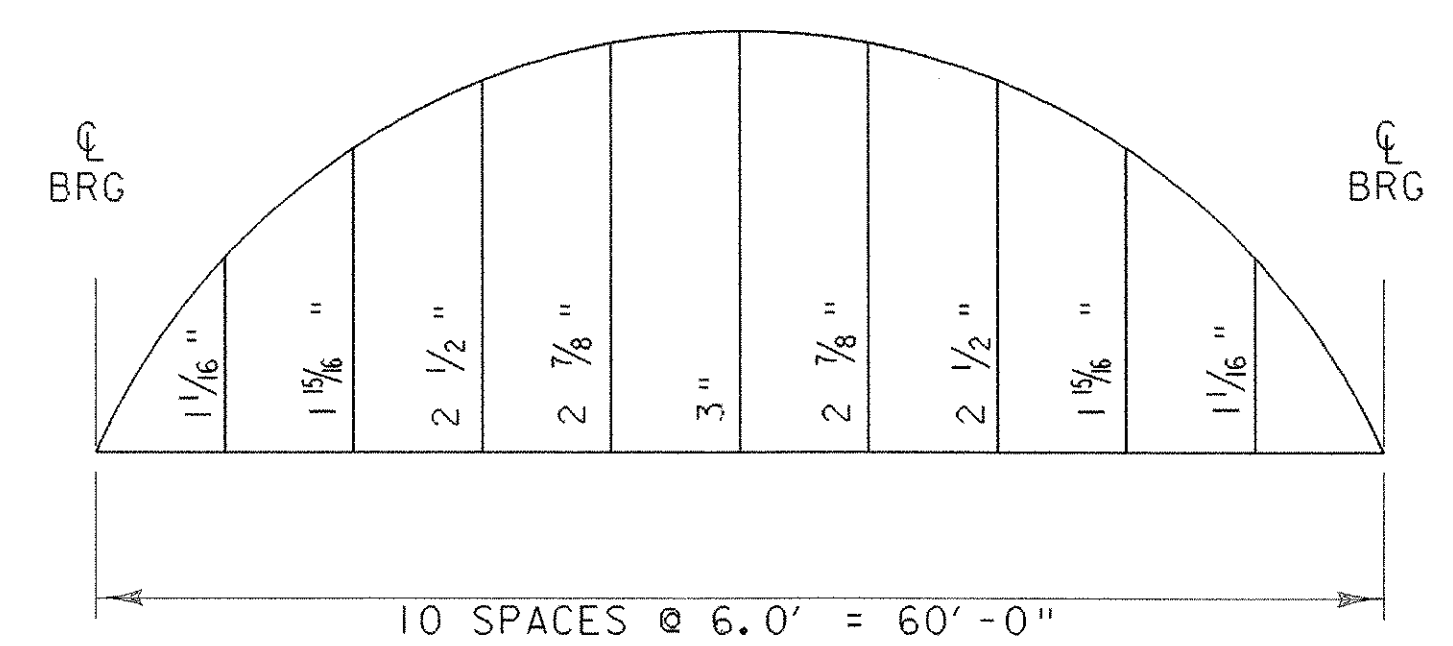
NOTE:  
 ALL MEMBERS OR PLATES MARKED (CVN) AND ONLY THOSE MEMBERS MUST MEET THE CHARPY V-NOTCH REQUIREMENTS FOR MAIN MEMBERS AS INDICATED IN SECTION 714 OF THE VERMONT STANDARD SPECIFICATIONS FOR CONSTRUCTION, DATED 2006.



DEAD LOAD DEFLECTION DIAGRAM

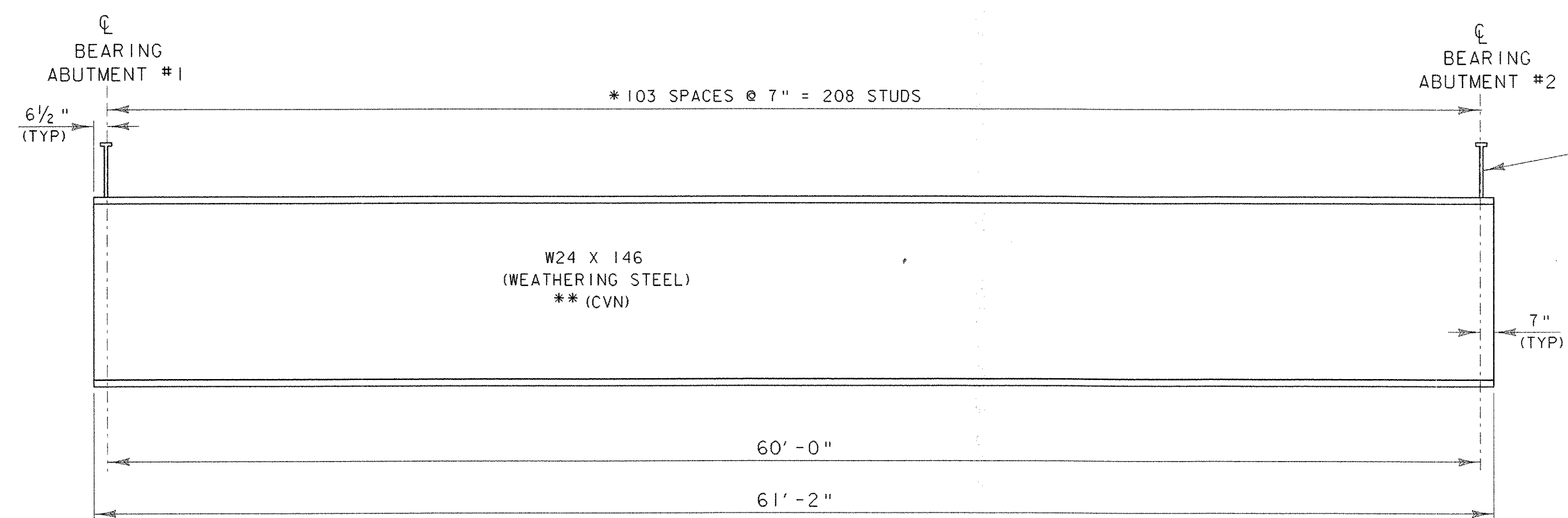
NTS

DIAGRAMS INCLUDE 5/16" DEAD LOAD DEFLECTION @ MIDSPAN DUE TO BEAM SELFWEIGHT.



CAMBER DIAGRAM

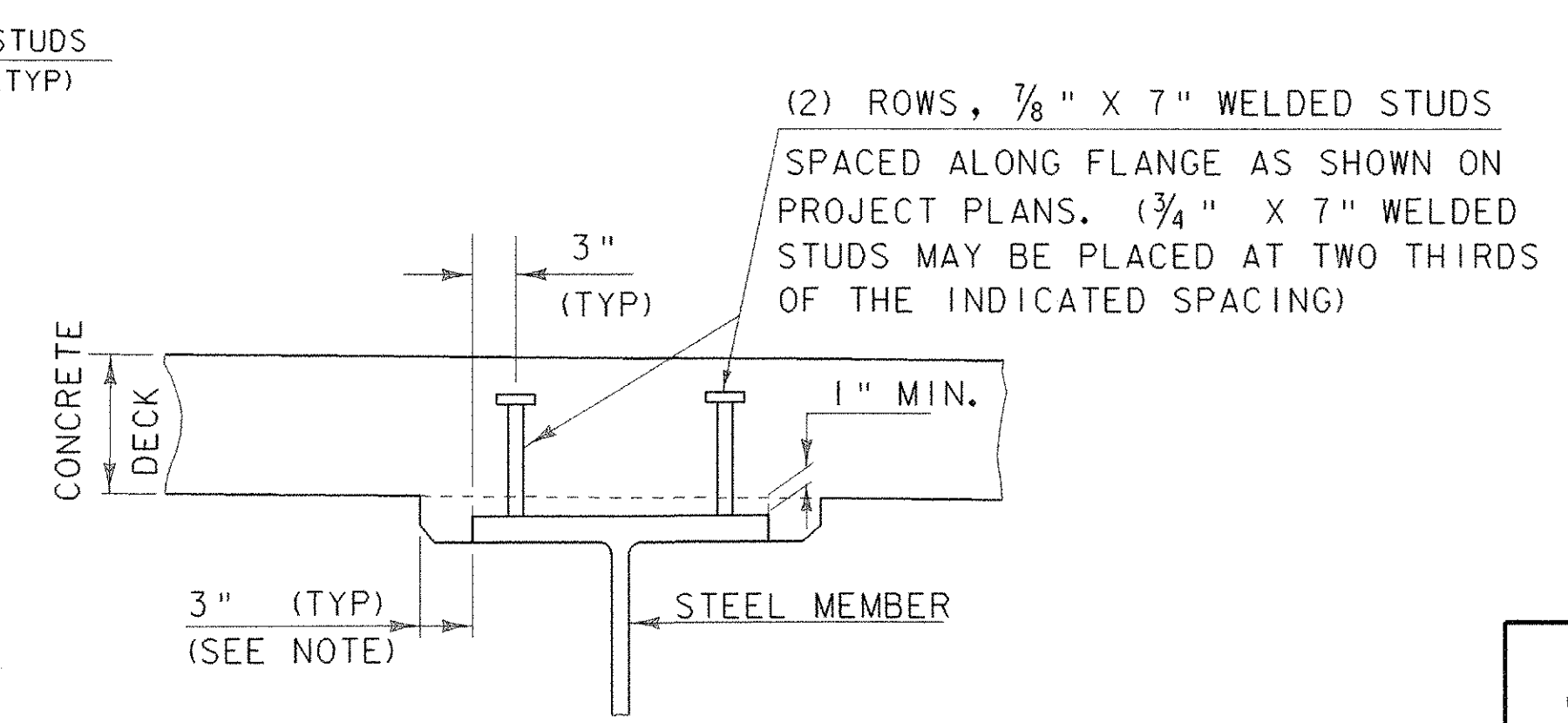
NTS



BEAM ELEVATION

HORIZONTAL SCALE: 1/4" = 1'-0"  
 VERTICAL SCALE: 1" = 1'-0"

\*\*CVN = CHARPY V-NOTCH TEST REQUIRED  
 \*SEE HAUNCH DETAIL



NOTE: THE 3" HORIZONTAL SECTION MAY BE ELIMINATED FOR FORMING SYSTEMS DESIGNED FOR THE CONSTRUCTION OF VERTICAL HAUNCHES. SYSTEMS SHALL BE SUBMITTED FOR APPROVAL TO THE STRUCTURES ENGINEER. ALL VOIDS SHALL BE FILLED WITH MORTAR, TYPE IV OR AN EQUIVALENT PRODUCT FROM THE APPROVED PRODUCTS LIST.

HAUNCH AND SHEAR CONNECTOR DETAILS

NTS

<b>STATE OF VERMONT AGENCY OF TRANSPORTATION</b>			
Town Of	READING	Bridge No.	25
Highway No.	TH 8	Log Sta.	
		Rev. Sta.	
<b>FRAMING PLAN &amp; STRUCTURAL STEEL DETAILS</b>			
<b>TH 8 OVER MILL BROOK</b>			
Designed By	R. S. YOUNG	Drawn By	R. S. YOUNG
Checked By	Date	Bridge Design Supervisor	
W. B. SYMONDS	10/00	C. P. WILLIAMS	Date 10/00
PROJECT	READING	PROJECT NO.	BRZ 1444 (23)
I.G.C. Info. M:\Projects\90\058\Structures\sj058spr.dgn			
Bridge Sheet No. sj058frm.i		Sheet 16 of 49	