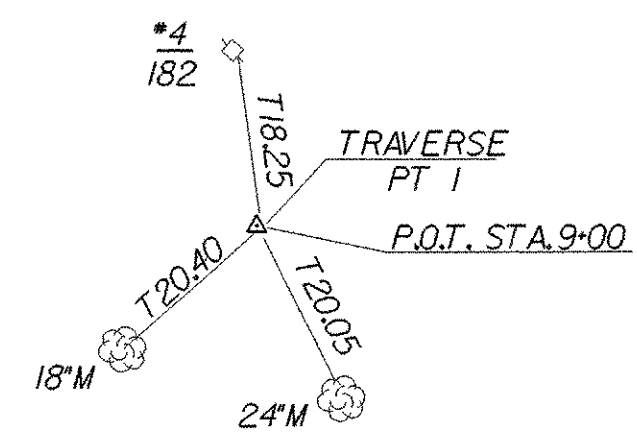
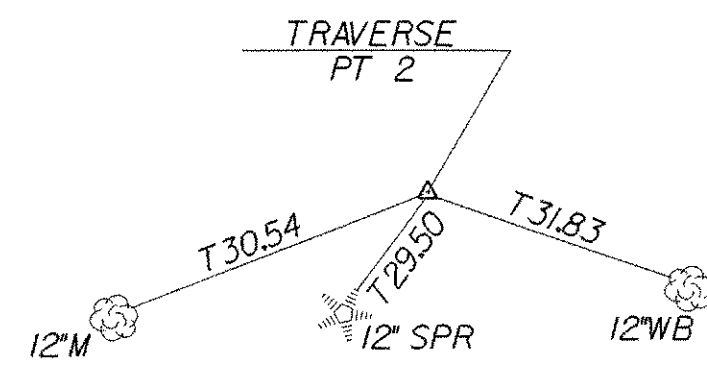


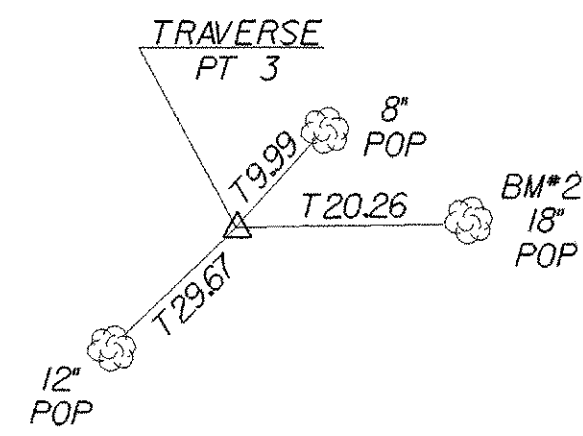
TRAVERSE TIES



N = 999.9989
E = 1000.0005

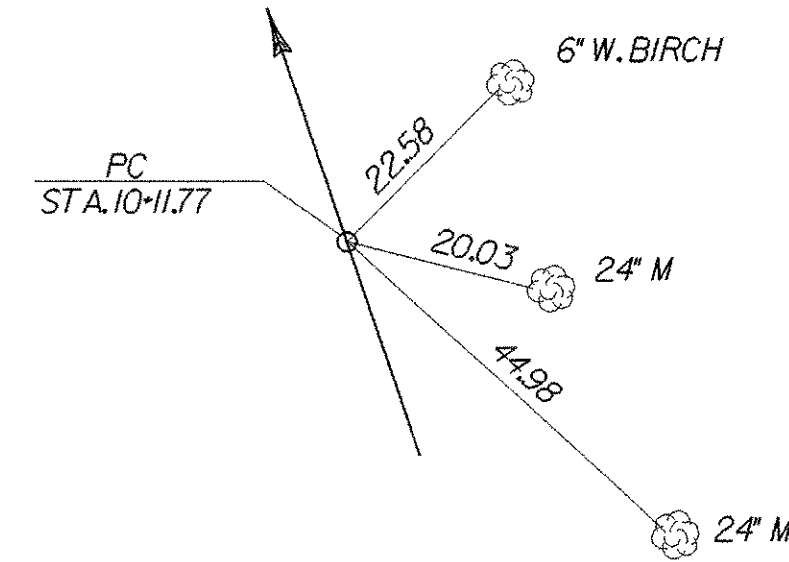


N = 1209.2083
E = 893.4030

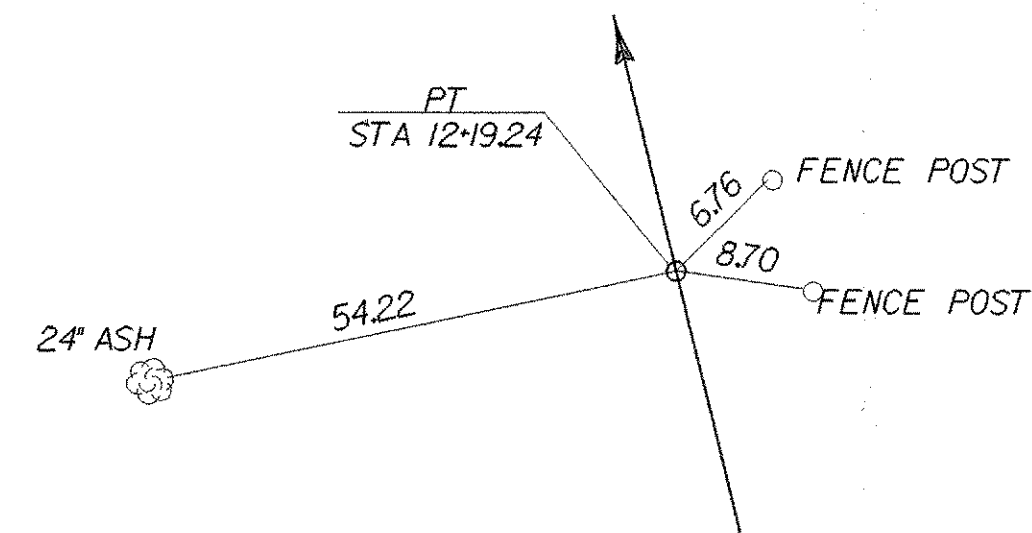


N = 1323.2877
E = 537.7618

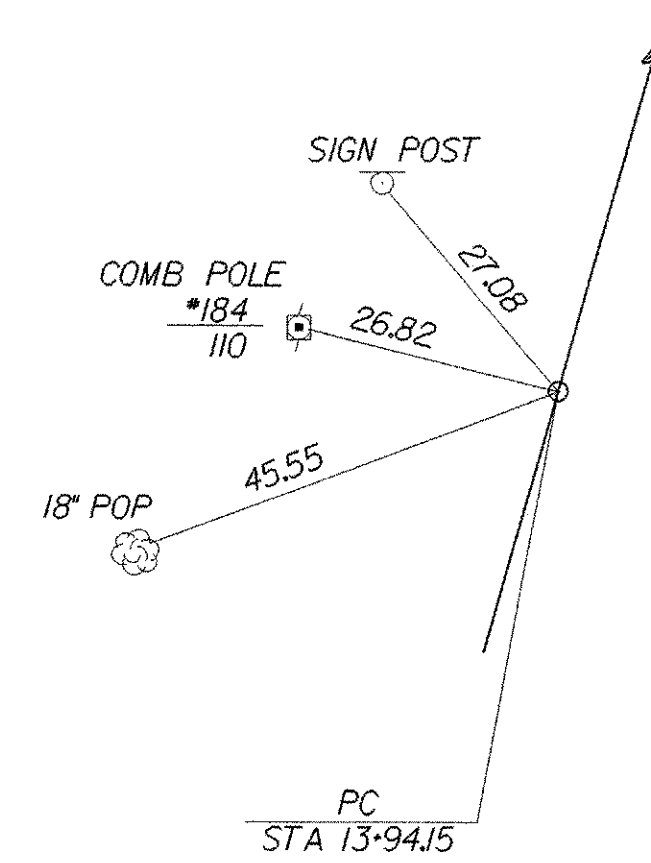
ALIGNMENT TIES



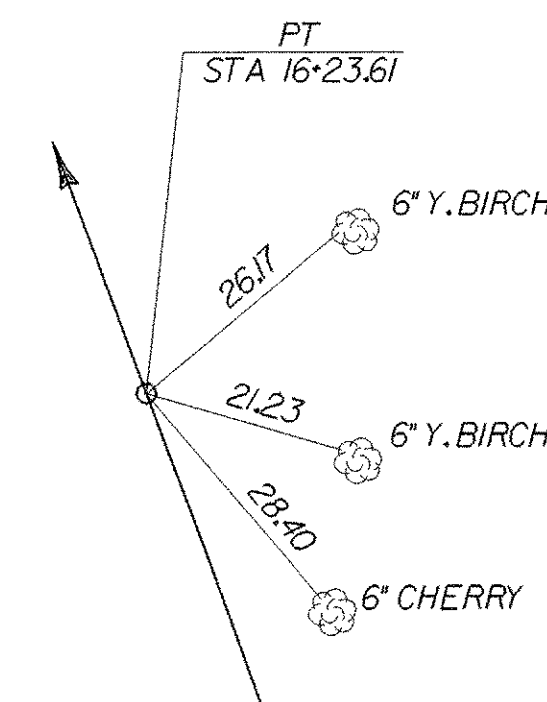
N = 1099.5867
E = 949.2580



N = 1239.0595
E = 801.2022



N = 1309.0292
E = 640.8982



N = 1468.4405
E = 483.5827

DATUM
VERTICAL USGS 1928
HORIZONTAL ASSUMED

PROJECT: READING	PROJECT NO.: BRZ 1444(23)
DESIGN FILE NAME: /usr/str4/90j058/sj058tie.dgn	
IPARM FILE NAME: /str4/90j058/sj058tie.i	PLOT DATE: 13-FEB-2008
SURVEYED BY: R. GILMAN	SURVEY DATE: 3/92
SQUAD LEADER: C.P. WILLIAMS	DRAWN BY: W.B. SYMONDS
TRAVERSE AND ALIGNMENT TIES	SHEET: 5 OF 49