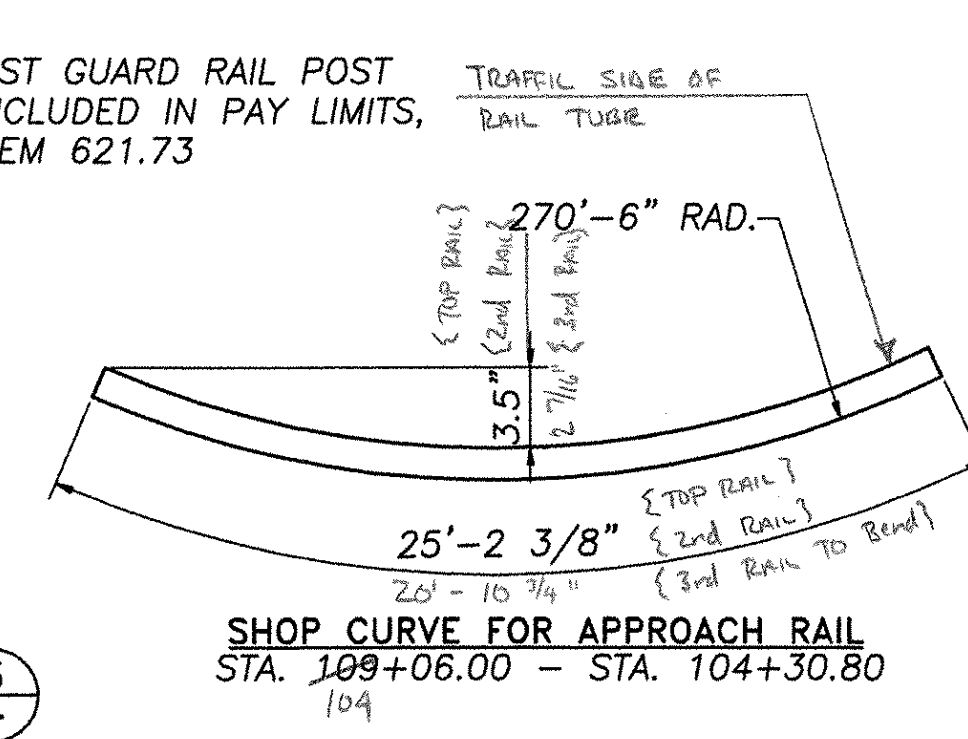
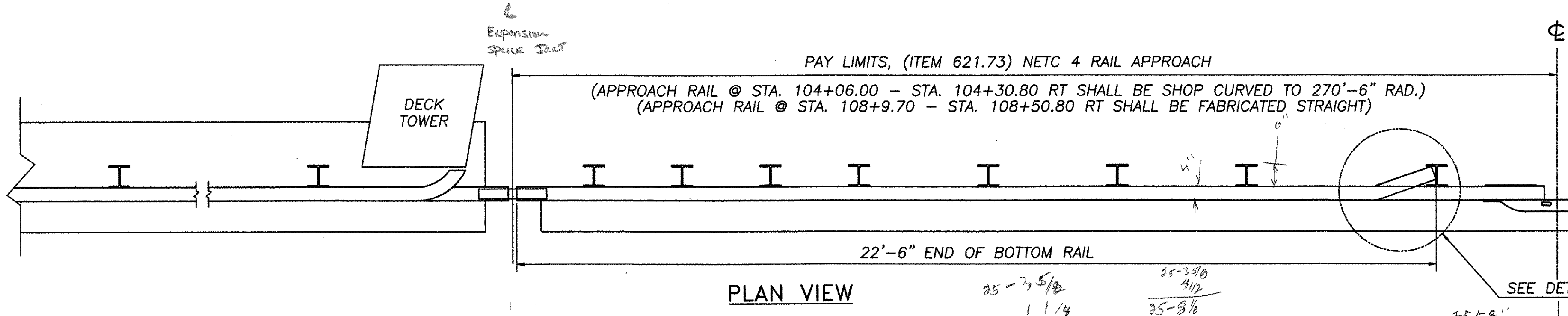
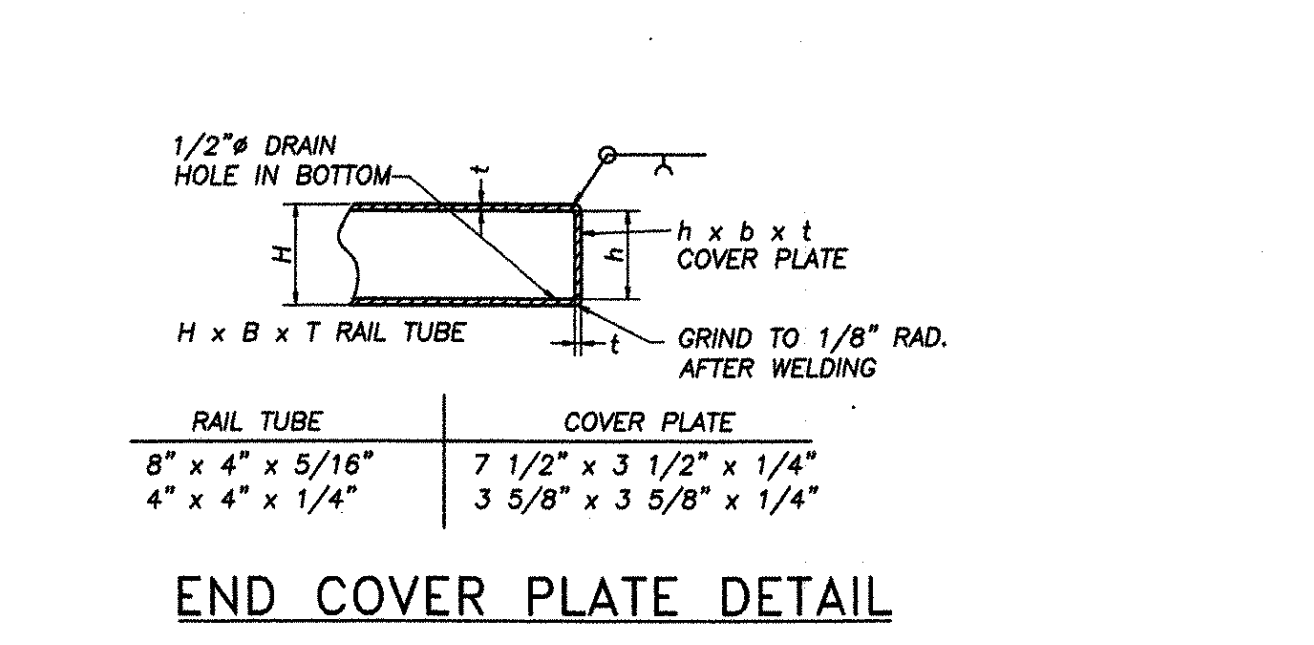
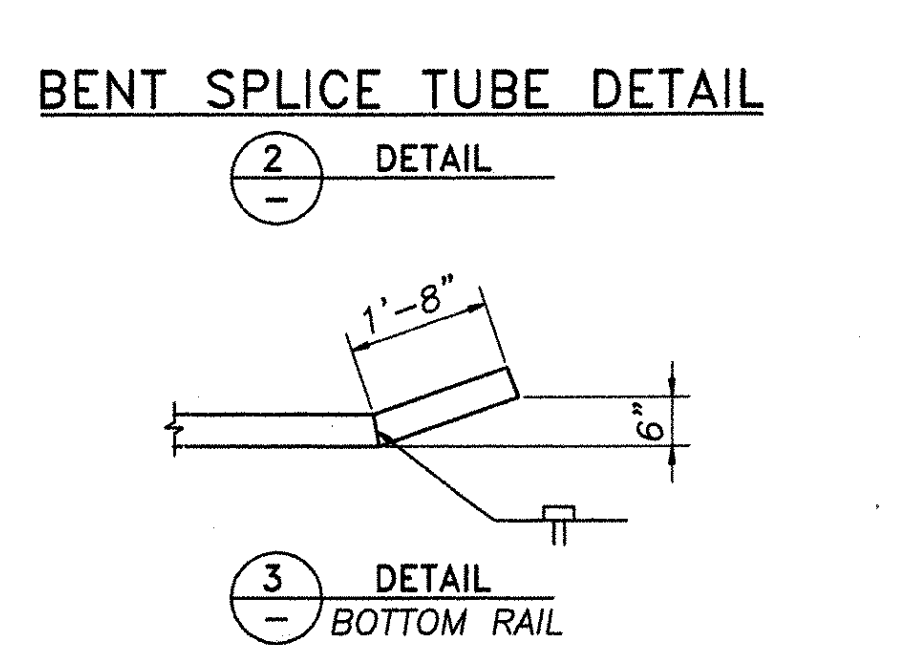
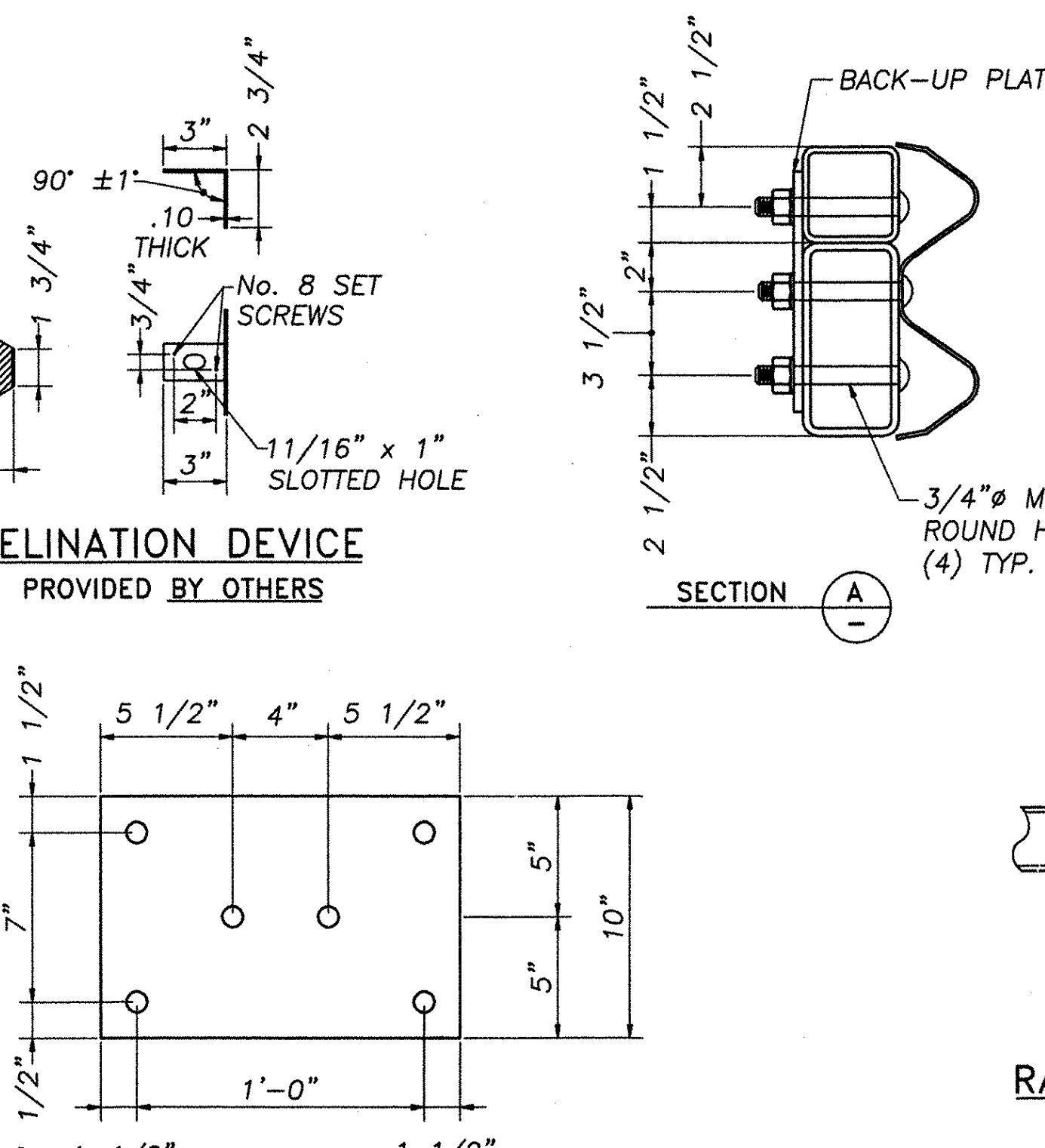
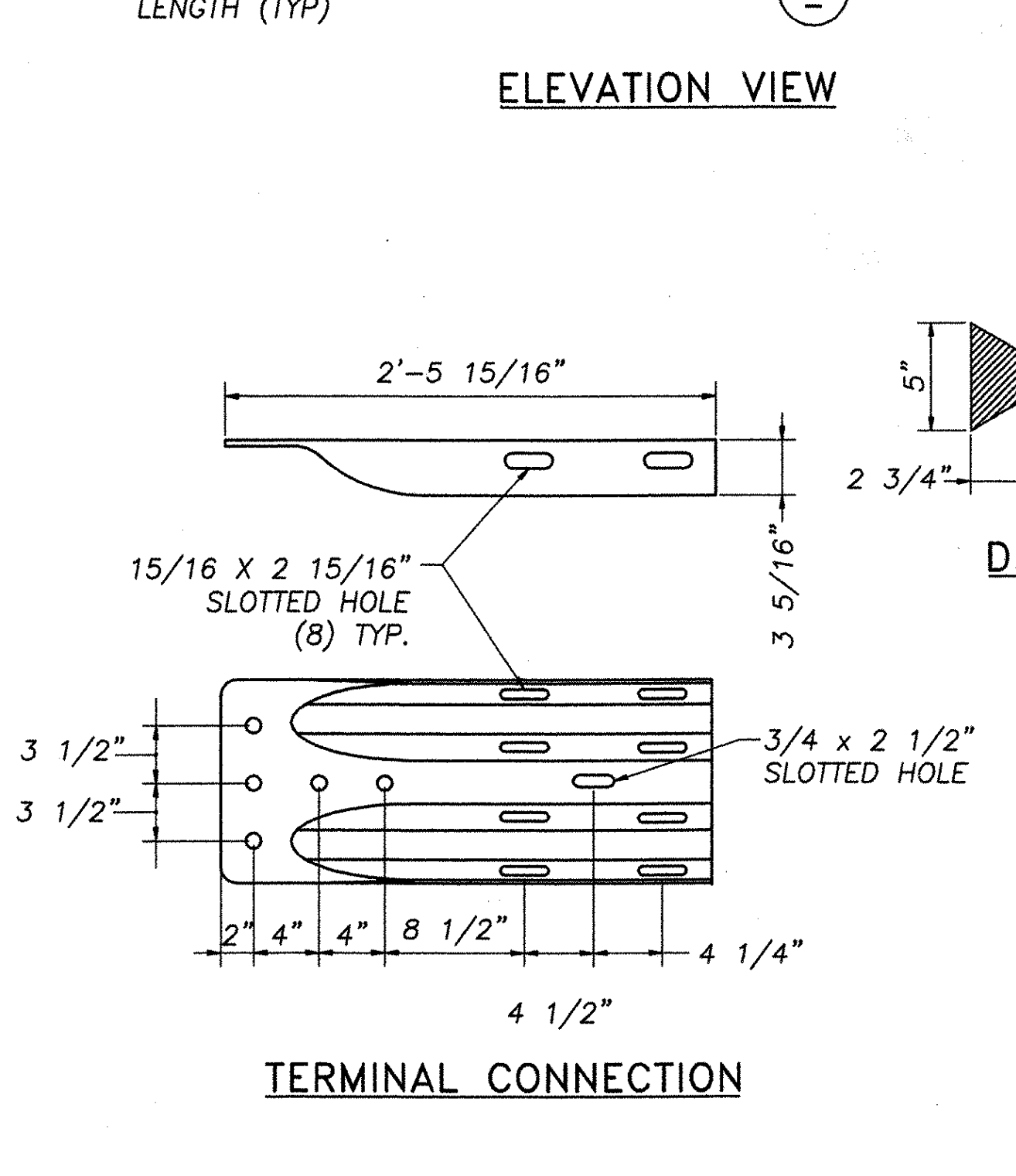
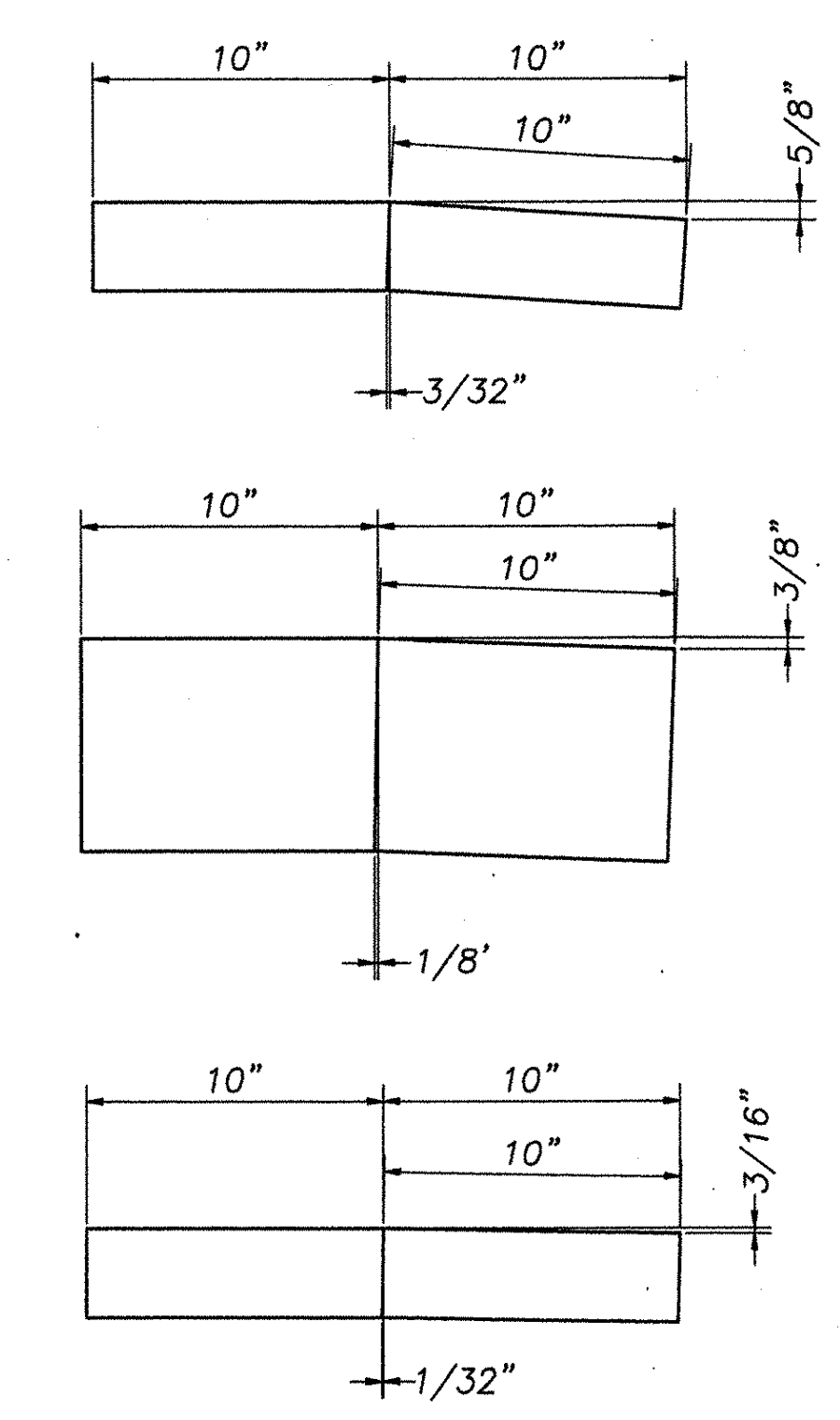
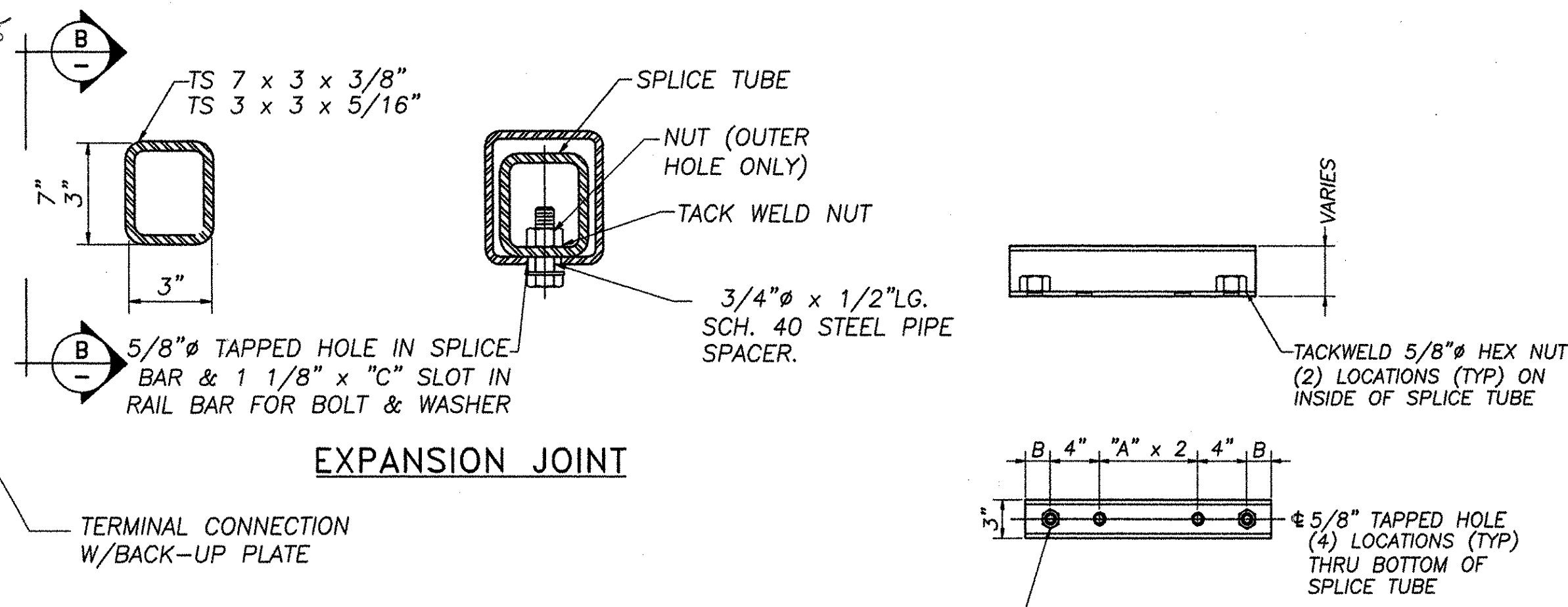
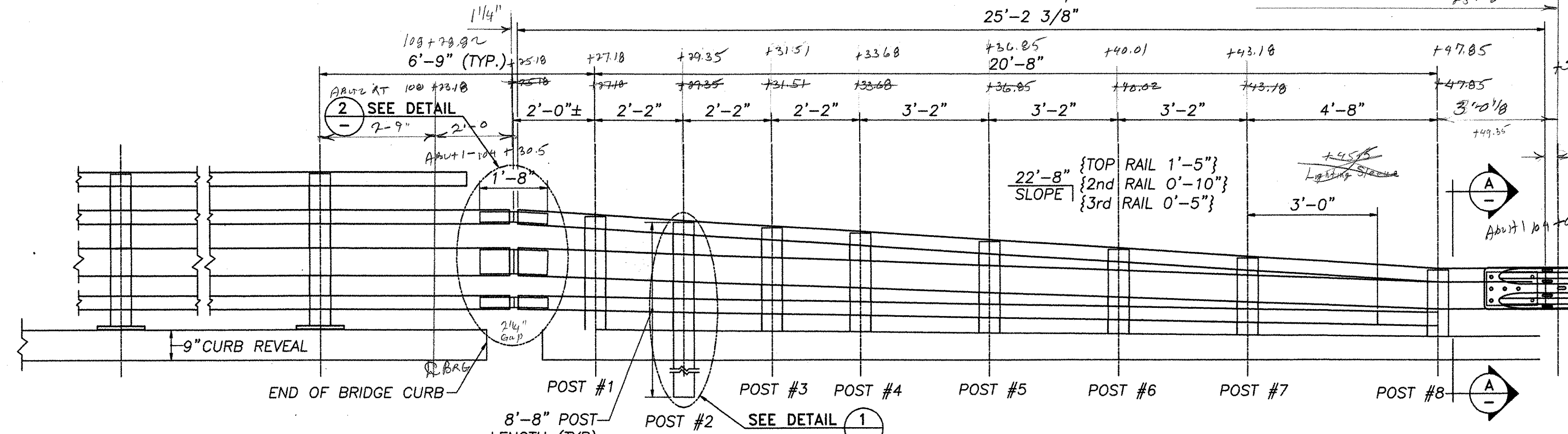


25-015
72-8
3-074



Mk.	Qty.	Description
1	1	TS 4 x 4 x 1/4" (25'-2 3/8" OAL)
1	1	TS 8 x 4 x 5/16" (25'-2 3/8" OAL)
1	1	TS 4 x 4 x 1/4" (22'-6" OAL) W/SHOP BEND
1	1	TS 4 x 4 x 1/4" (25'-2 3/8" OAL) W/SHOP CURVE
1	1	TS 8 x 4 x 5/16" (25'-2 3/8" OAL) W/SHOP CURVE
1	1	TS 4 x 4 x 1/4" (22'-6" OAL) W/SHOP CURVE & SHOP BEND
4	4	TS 3 x 3 x 5/16" (1'-8" OAL) SPLICE TUBE, CUT & WELD
2	2	TS 7 x 3 x 3/8" (1'-8" OAL) SPLICE TUBE, CUT & WELD
16	16	W6 x 25 POST 8'-8" OAH
2	2	TERMINAL CONNECTION
2	2	BACK-UP PLATE 3/8" x 10" x 1'-3"
104	104	3/4" M164 ROUND HEAD BOLT W/WASHER & LOCKNUT
24	24	3/4" x 1/2" LG. SCH. 40 SPACER PIPE
24	24	5/8" x 1 3/4" BOLT W/WASHER

NOTE: SEE NOTES ON SHEET 2 OF 2, BRIDGE RAIL - NETC 4 RAIL FOR MATERIAL AND CONSTRUCTION REQUIREMENTS.



SPLICE & EXPANSION JOINT TABLE					
"T"	"A"	"B"	"C"	"L"	"X"
SPLICE	4"	2"	--	20"	3/4"
≤ 4"	4"	2"	2-1/2"	20"	2-1/2"

T" = TOTAL REQUIRED MOVEMENT * = SINGLE SLOT

REVISIONS		
No.	Remarks	Date
0	Initial submittal	10/16/01
	Second Submittal	3/12/02
	Third Submittal	4/30/02

RECEIVED
APR 23 2002
APPROVED: [Signature]
DATE: 4/30/02

HIGHWAY SAFETY CORP.
GLASTONBURY, CT

ITEM 621.73 - NETC 4 RAIL - APPROACH
PROJECT No. AC BRZ 1444(22)
TOWN OF ROYALTON
TH1 OVER THE WHITE RIVER
(BRIDGE No. 3) WINDSOR COUNTY

DRAWN: J. Ruiz
CHECKED: [Signature]
DATE: 10/15/01
SCALE: N.T.S.
HSC REFERENCE NO.: 1271

GENERAL CONTRACTOR: [Blank]
SUB CONTRACTOR: F.R. LAFAYETTE

SHEET NO.: 1 of 1

