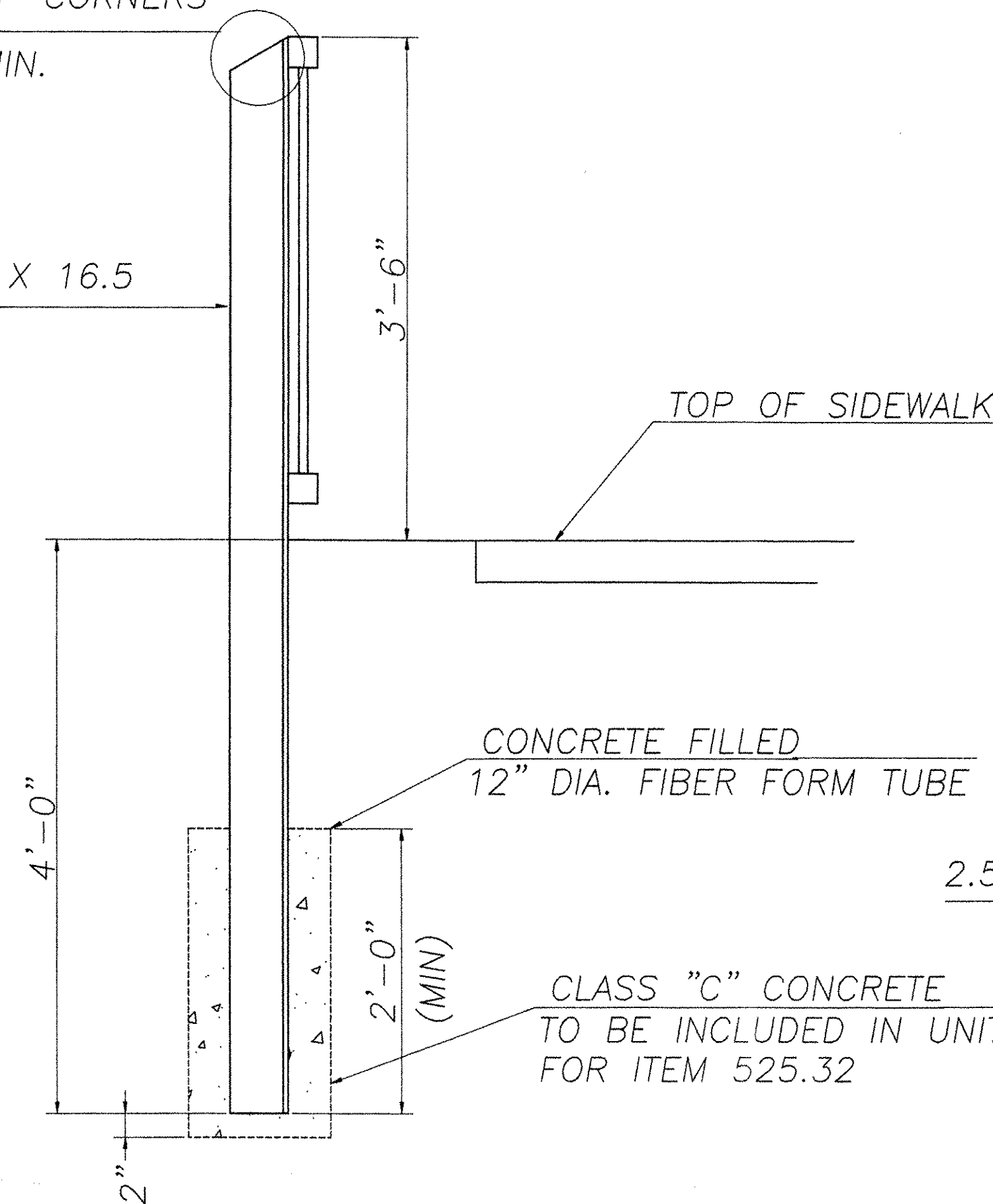


GRIND ALL SHARP CORNERS

1/8" RADIUS MIN.

POST WT5 X 16.5



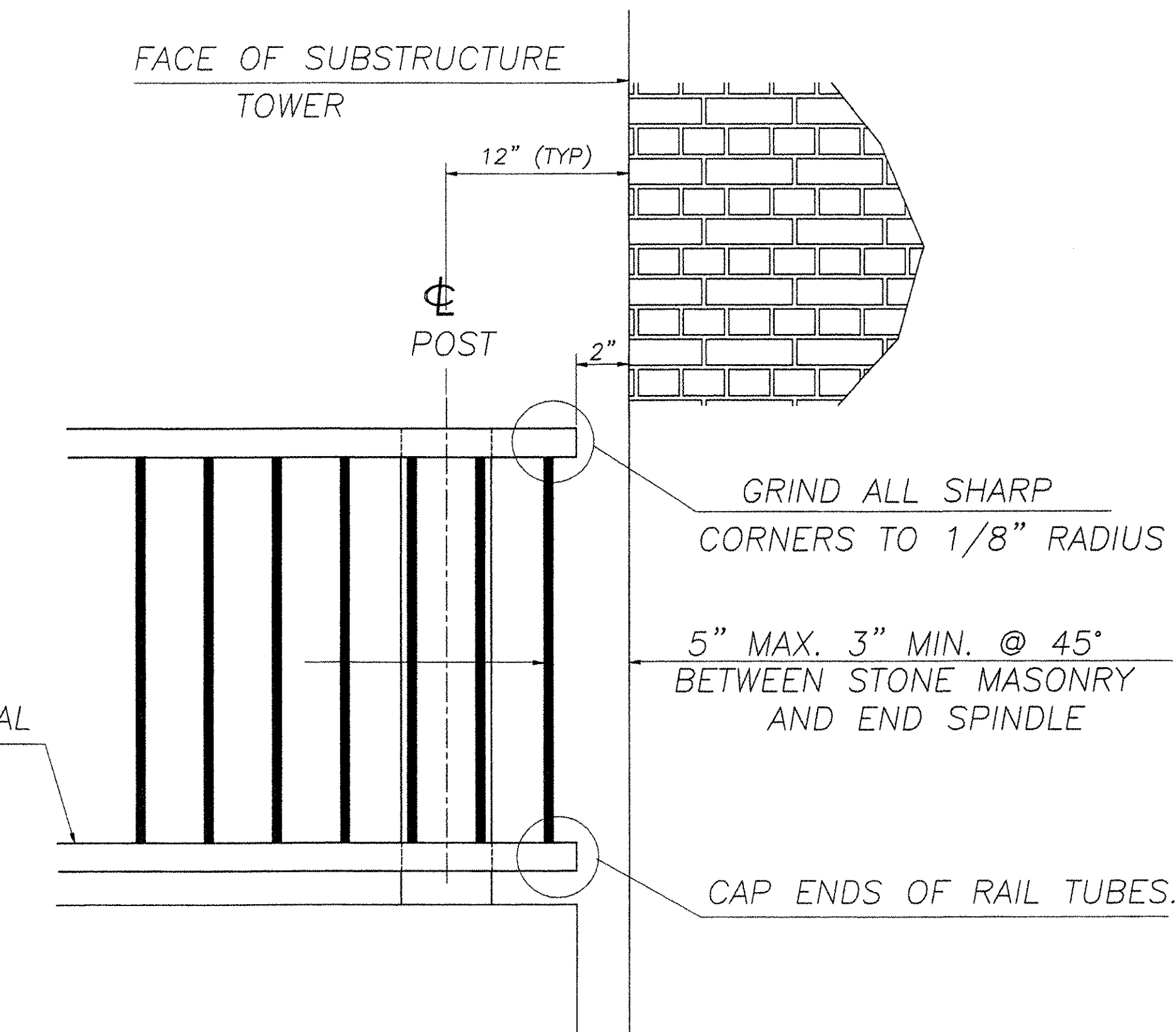
CONCRETE FILLED  
12" DIA. FIBER FORM TUBE

CLASS "C" CONCRETE  
TO BE INCLUDED IN UNIT PRICE  
FOR ITEM 525.32

2.5 X 2.5 X 1/4 STRUCTURAL  
TUBING (TYP)

**PEDESTRIAN RAIL  
APPROACH SECTION**  
(POST INSTALLED IN SOIL)

FACE OF SUBSTRUCTURE  
TOWER

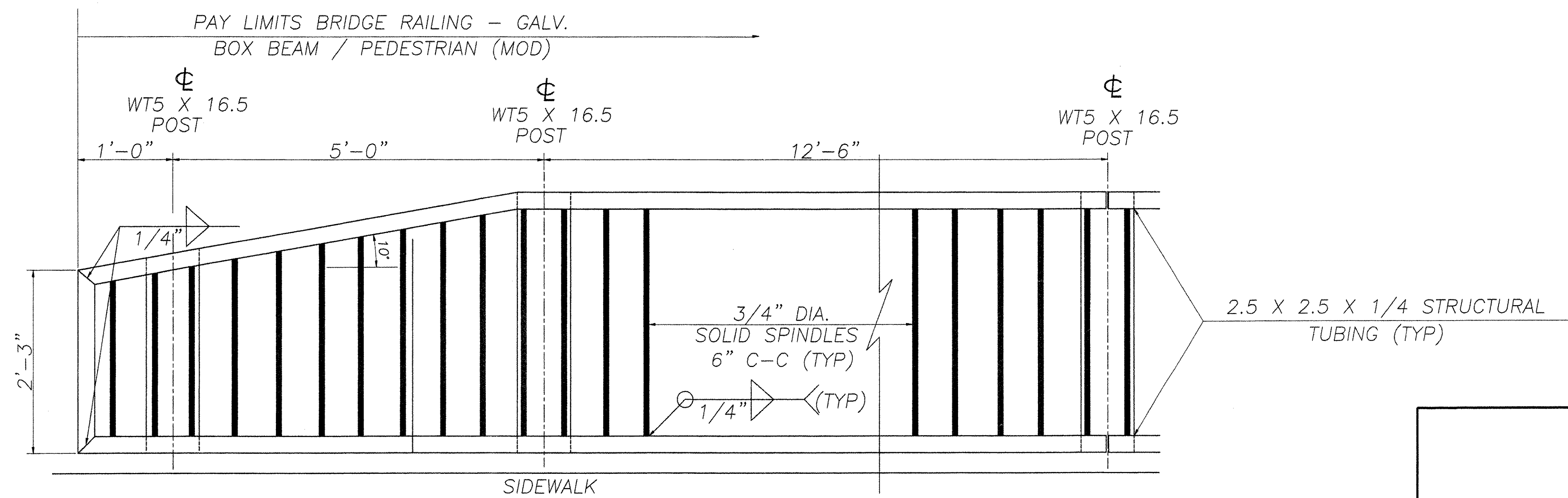


GRIND ALL SHARP  
CORNERS TO 1/8" RADIUS

5" MAX. 3" MIN. @ 45°  
BETWEEN STONE MASONRY  
AND END SPINDLE

CAP ENDS OF RAIL TUBES.

**PEDESTRIAN RAIL  
TERMINATION @ TOWER**



PAY LIMITS BRIDGE RAILING - GALV.  
BOX BEAM / PEDESTRIAN (MOD)

WT5 X 16.5  
POST

WT5 X 16.5  
POST

WT5 X 16.5  
POST

3/4" DIA.  
SOLID SPINDLES  
6" C-C (TYP)

2.5 X 2.5 X 1/4 STRUCTURAL  
TUBING (TYP)

SIDEWALK

**PEDESTRIAN RAIL APPROACH END SECTION**

BILL OF MATERIAL		
Mk.	Qty.	Description
	8	WT5 x 16.5 POST (7'-6" OAH)
	2	WT5 x 16.5 POST (6'-8 13/16" OAH)
	38	WT5 x 16.5 POST W/BASE PLATE
	2	PEDESTRIAN RAIL APPROACH (18'-5 13/16" OAL)
RA1	1	RAIL SECTION (18'-5 13/16" OAL) W/37 SPINDLES (APPROACH RAIL W/SHOP CURVE)
RA2	1	RAIL SECTION (10'-9 5/8" OAL) W/22 SPINDLES
RA3	1	RAIL SECTION (22'-7 13/16" OAL) W/45 SPINDLES & CUT & WELD
RA4	1	RAIL SECTION (22'-2 15/16" OAL) W/SHOP CURVE & 45 SPINDLES
RA5	1	RAIL SECTION (21'-8 5/8" OAL) W/SHOP CURVE & 44 SPINDLES
RA6	1	RAIL SECTION (21'-8 5/16" OAL) W/CUT & WELD & 43 SPINDLES
RA7	1	RAIL SECTION (22'-11 1/4" OAL) W/46 SPINDLES
RA8	1	RAIL SECTION (11'-7" OAL) W/23 SPINDLES
RA9	1	RAIL SECTION (18'-5 13/16" OAL) W/37 SPINDLES (APPROACH RAIL W/SHOP CURVE)
RA10	1	RAIL SECTION (20'-8 15/16" OAL) W/SHOP CURVE & 37 SPINDLES
RA11	1	RAIL SECTION (20'-10 7/8" OAL) W/41 SPINDLES
RA12	12	RAIL SECTION (24'-11 5/8" OAL) W/50 SPINDLES
	152	1" x 12" LG. ANCHOR BOLT W/HEAVY HEX NUT & WASHER
	152	1" JAMB NUT
	152	1" HEX NUT
	152	1" HEAVY HEX NUT
	38	ANCHOR PLATE (3/8 x 8 x 1'-3")
	208	3/4" ROUND HEAD BOLT W/NUT & WASHER



**HIGHWAY SAFETY CORP.**  
GLASTONBURY, CT

RECEIVED  
CHKD BY *WV* OK'D BY \_\_\_\_\_  
MAY 15 2002  
RESUBMIT \_\_\_\_\_ APPROVED *CPW*  
BY *CPW* DATE 5/20/02

ITEM 525.32 PEDESTRIAN RAIL (MOD)  
PROJECT No. AC BRZ 1444(22)  
TOWN OF ROYALTON  
TH1 OVER THE WHITE RIVER  
(BRIDGE No. 3) WINDSOR COUNTY

DRAWN J. Ruiz  
CHECKED *Pat K.*  
DATE 10/15/01  
SCALE N.T.S.  
HSC REFERENCE NO. 1242

GENERAL CONTRACTOR  
SUB CONTRACTOR F. R. LAFAYETTE, INC.  
SIZE D REVISION 0  
SHEET NO. 5 of 5

REVISIONS		
No.	Remarks	Date
0	Initial submittal	10/16/01
	Second submittal	3/18/02
	Third submittal	4/17/02
	Fourth submittal	5/5/02