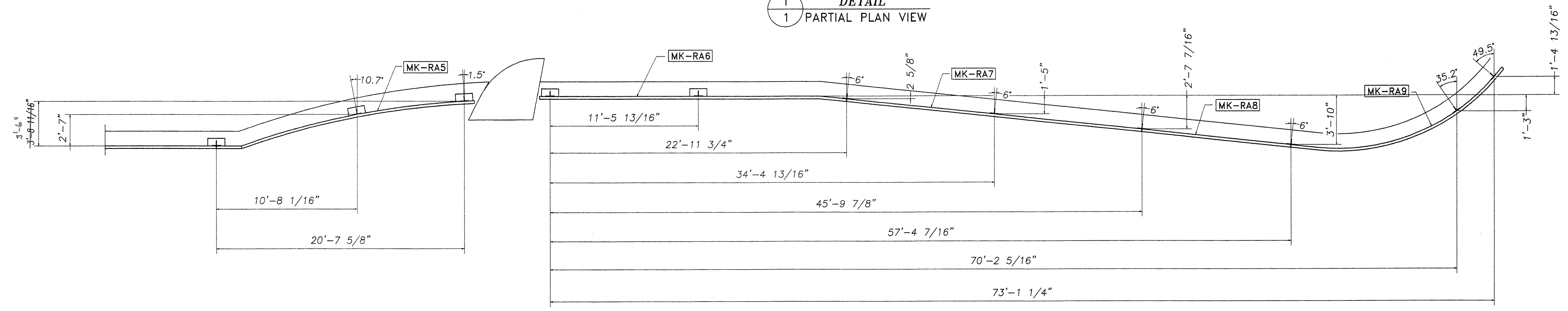
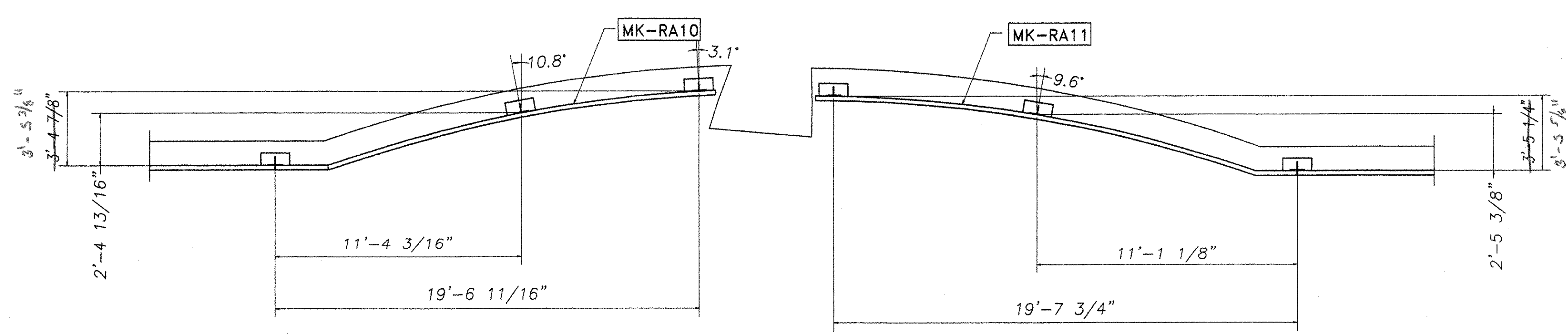


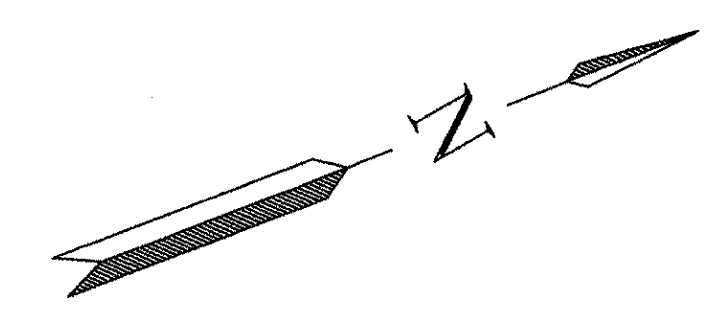
1 DETAIL
1 PARTIAL PLAN VIEW



3 DETAIL
1 PARTIAL PLAN VIEW



2 DETAIL
1 PARTIAL PLAN VIEW



REVISIONS		
No.	Remarks	Date
0	Initial submittal	10/16/01
	Second submittal	3/18/02
	Third submittal	4/17/02
	Fourth submittal	5/8/02

RECEIVED
 OK'D BY *AKJ* OK'D BY _____
 MAY 15 2002
 RESUBMIT _____ APPROVED *AB* *AKJ*
 BY *CPW* DATE 5/20/02

HIGHWAY SAFETY CORP.
 GLASTONBURY, CT

ITEM 525.32 PEDESTRIAN RAIL (MOD)
 PROJECT No. AC BRZ 1444(22)
 TOWN OF ROYALTON
 TH1 OVER THE WHITE RIVER
 (BRIDGE No. 3) WINDSOR COUNTY

GENERAL CONTRACTOR
 SUB CONTRACTOR F.R. LAFAYETTE, INC.

DRAWN J. Ruiz
 CHECKED *Paul*
 DATE 4/15/02
 SCALE NONE
 HSC REFERENCE NO. 1242
 SIZE D REVISION 0
 SHEET NO. 2 of 5

