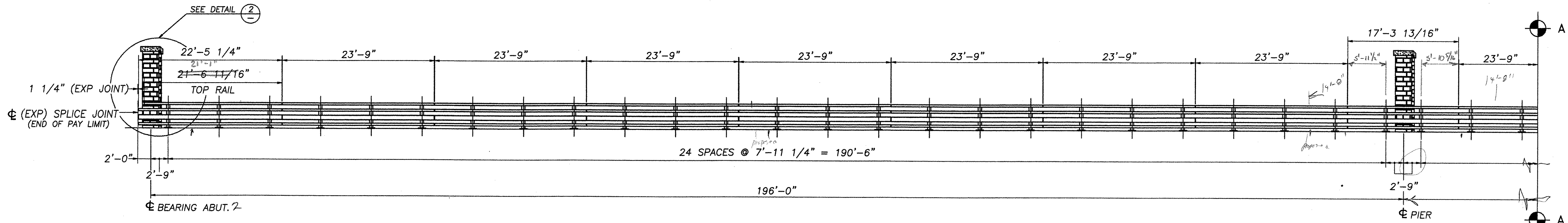
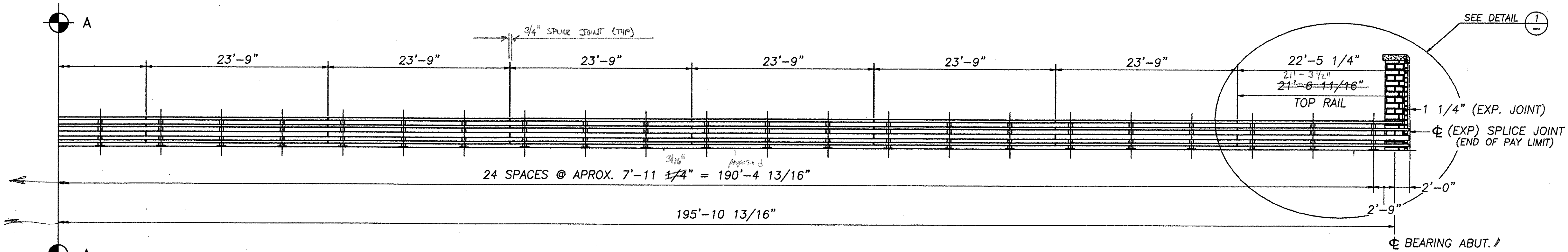


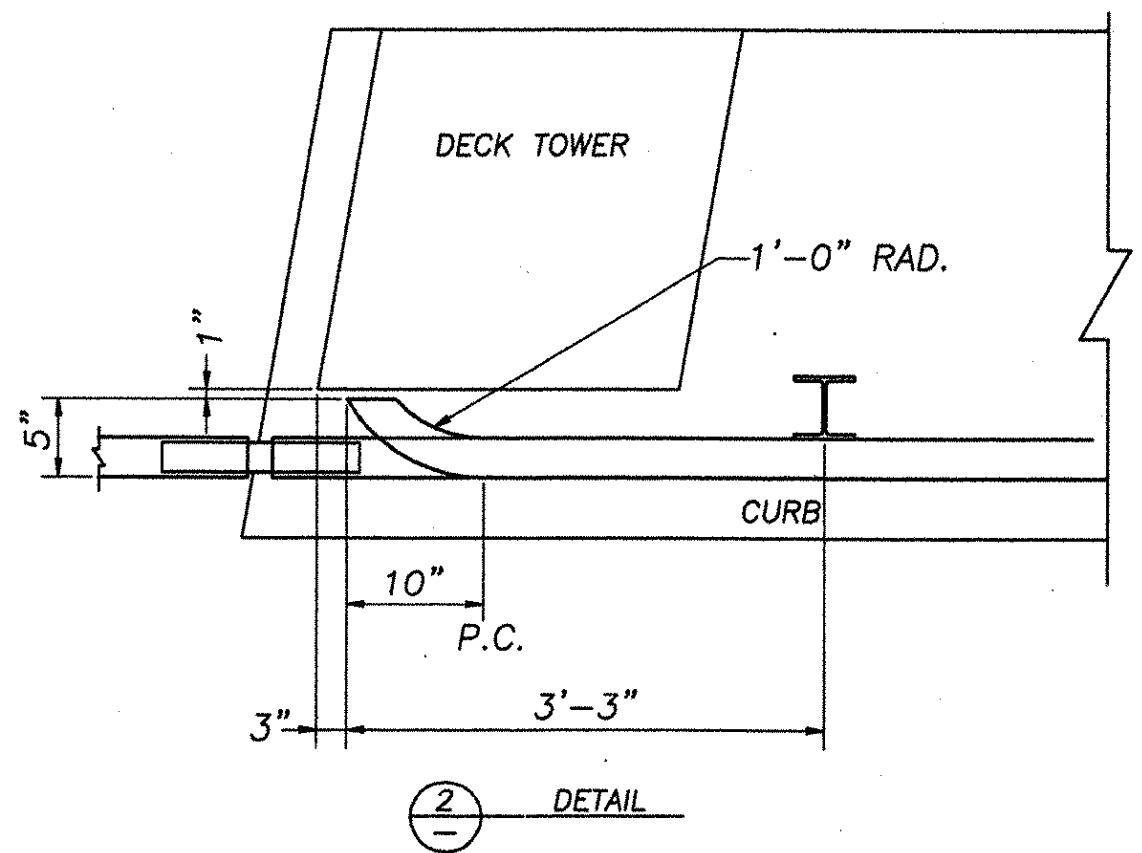
3-9  
 12  
 7-9  
 7-11 1/4  
 3-11 5/8  
 14-7 7/8  
 3/4  
 3/8  
 9/8



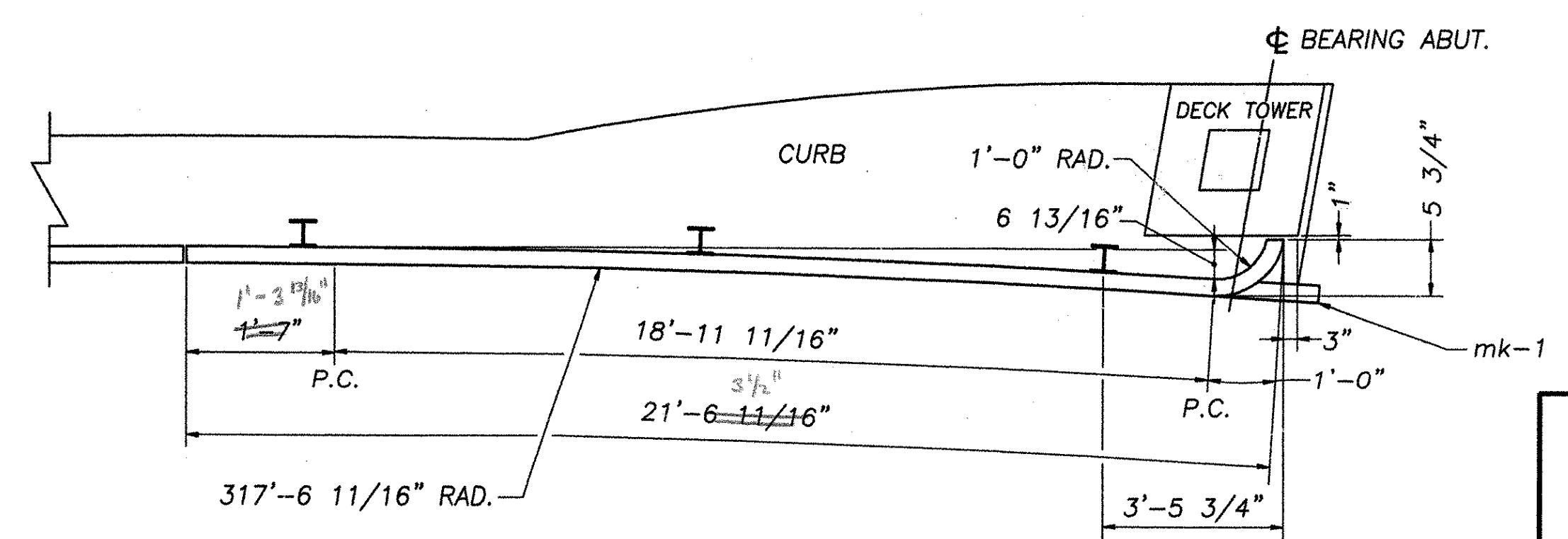
**EAST ELEVATION - NETC 4 RAIL**  
 FACING EAST FROM  $\Phi$  OF ROADWAY  
*Looking Downstream*



**EAST ELEVATION - NETC 4 RAIL**  
 FACING EAST FROM  $\Phi$  OF ROADWAY  
*Looking Downstream*



**2** DETAIL



**1** DETAIL

REVISIONS		
No.	Remarks	Date
0	Initial submittal	10/16/01
1	Second submittal	3/18/02
2	Third submittal	4/17/02

RECEIVED  
 OK'D BY *WAS* OK'D BY *RSY*  
 APR 23 2002  
 RESUBMIT BY *cpw* APPROVED *As noted* DATE *4/30/02*

**HIGHWAY SAFETY CORP.**  
 GLASTONBURY, CT

ITEM 525.34 - BRIDGE RAIL - NETC 4 RAIL  
 PROJECT No. AC BRZ 1444(22)  
 TOWN OF ROYALTON  
 TH1 OVER THE WHITE RIVER  
 (BRIDGE No. 3) WINDSOR COUNTY

DRAWN *J. Ruiz*  
 CHECKED *Paul K.*  
 DATE *10/15/01*  
 SCALE *1/8" = 12'*  
 HSC REFERENCE NO. *1241*  
 GENERAL CONTRACTOR *SIZE D REVISION 0*  
 SUB CONTRACTOR *SHEET NO. 1 of 2*  
 F. R. LAFAYETTE, INC.

