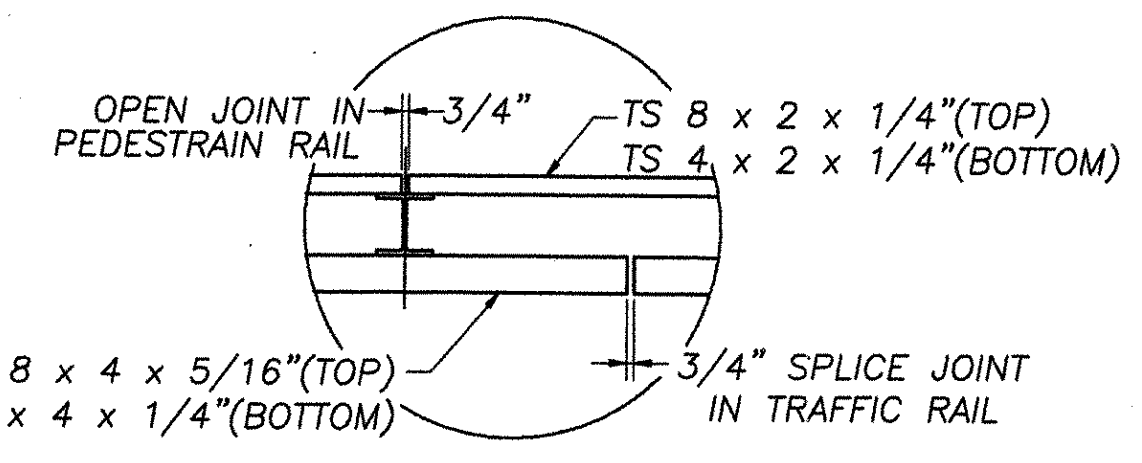
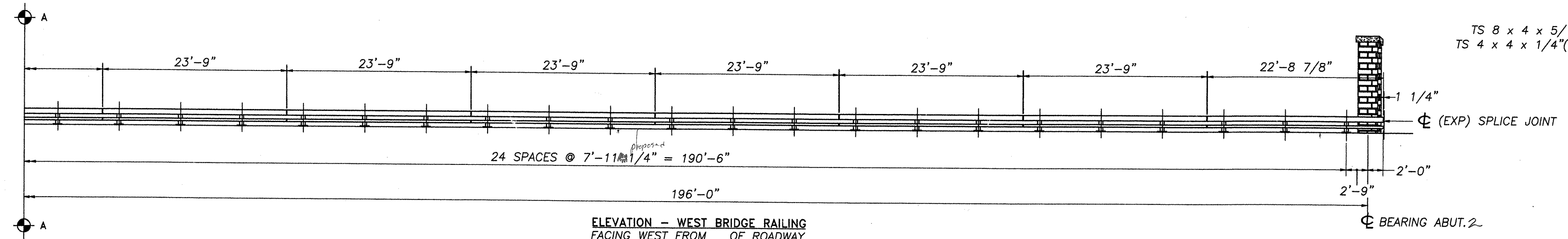
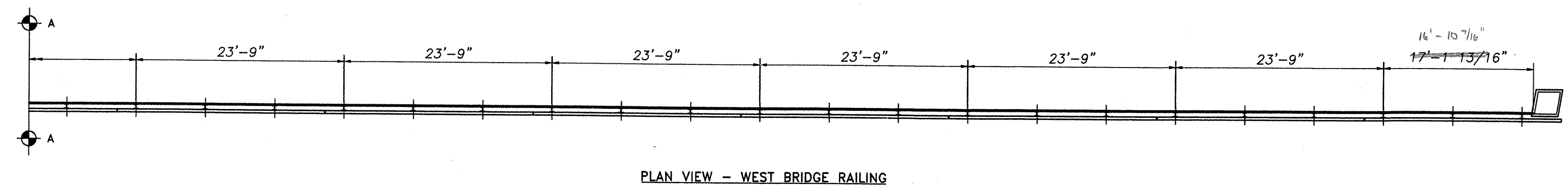
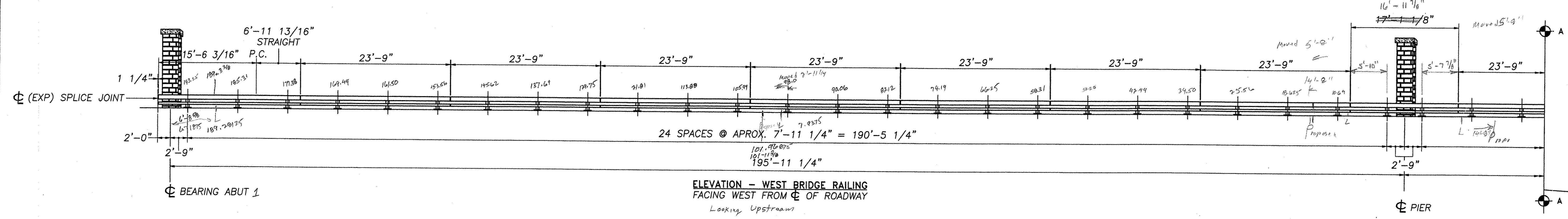
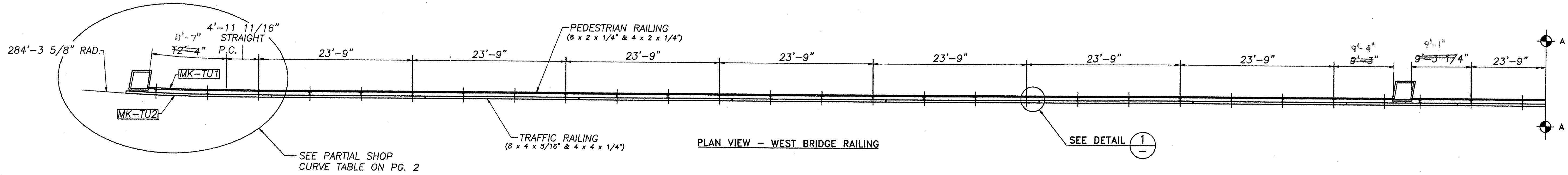


11 x 3/4 = 33 : 0 1/4

87 23/4  
141-8  
101 11 3/4

9  
90  
99  
2 11/4

88-0  
5 : 0 1/4  
87-3 3/4



1  
-  
DETAIL



RECEIVED  
 CKD BY WBS OK'D BY RSY  
 APR 23 2002  
 RESUBMIT APPROVED As noted  
 BY CPW DATE 4/30/02

**HIGHWAY SAFETY CORP.**  
 GLASTONBURY, CT

ITEM 525.33 - BRIDGE RAIL - NETC 2 RAIL  
 PROJECT No. AC BRZ 1444(22)  
 TOWN OF ROYALTON  
 TH1 OVER THE WHITE RIVER  
 (BRIDGE No. 3) WINDSOR COUNTY

GENERAL CONTRACTOR: F. R. LAFAYETTE, INC.  
 SHEET NO. 1 of 2

DRAWN: J. Ruiz  
 CHECKED: [Signature]  
 DATE: 10/15/01  
 SCALE: 1/8" = 12'  
 HSO REFERENCE NO. 1240  
 SIZE: D REVISION: 0

REVISIONS		
No.	Remarks	Date
0	Initial submittal	10/16/01
	Second Submittal	3/18/01
	Third Submittal	4/17/02