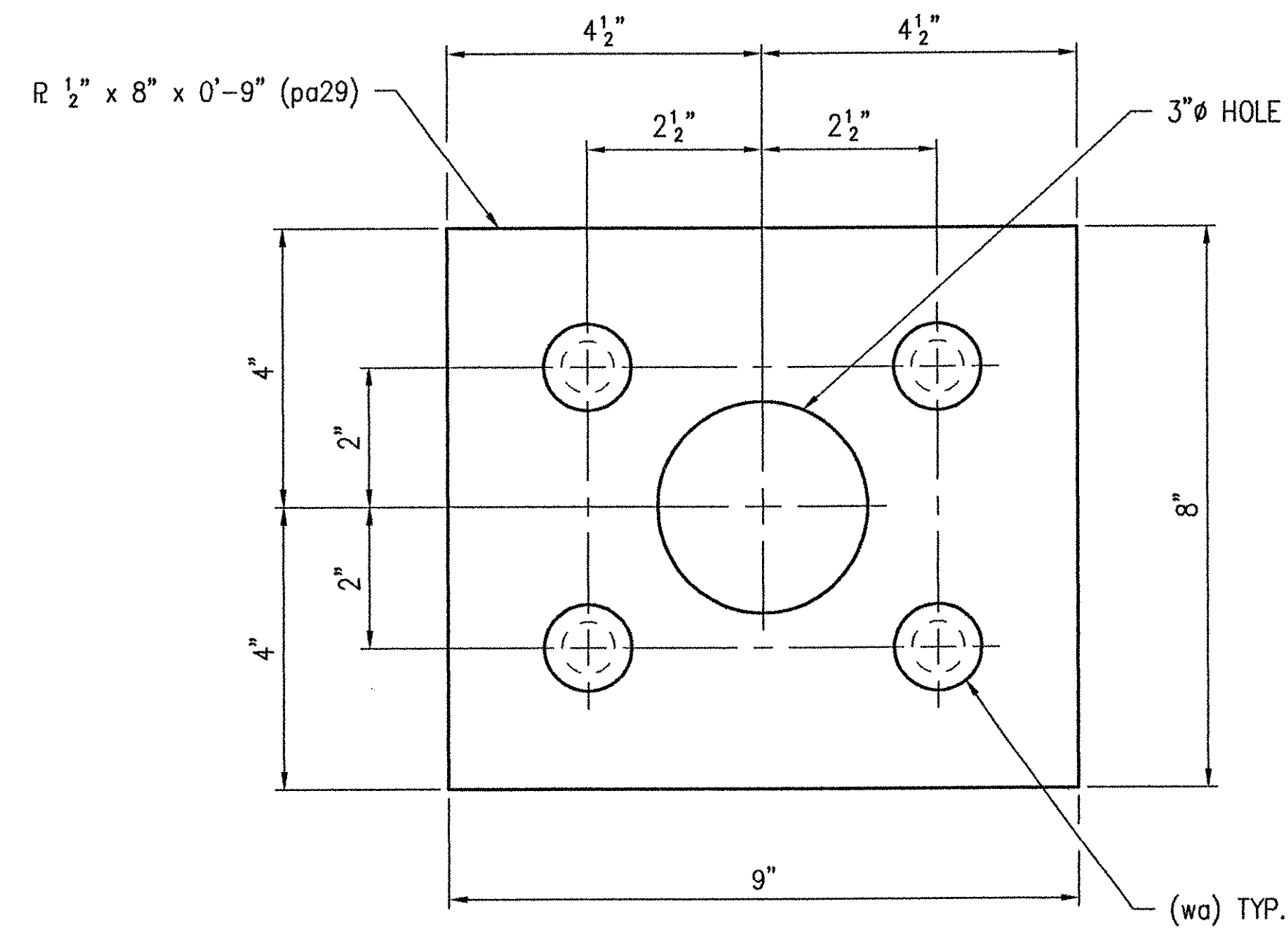
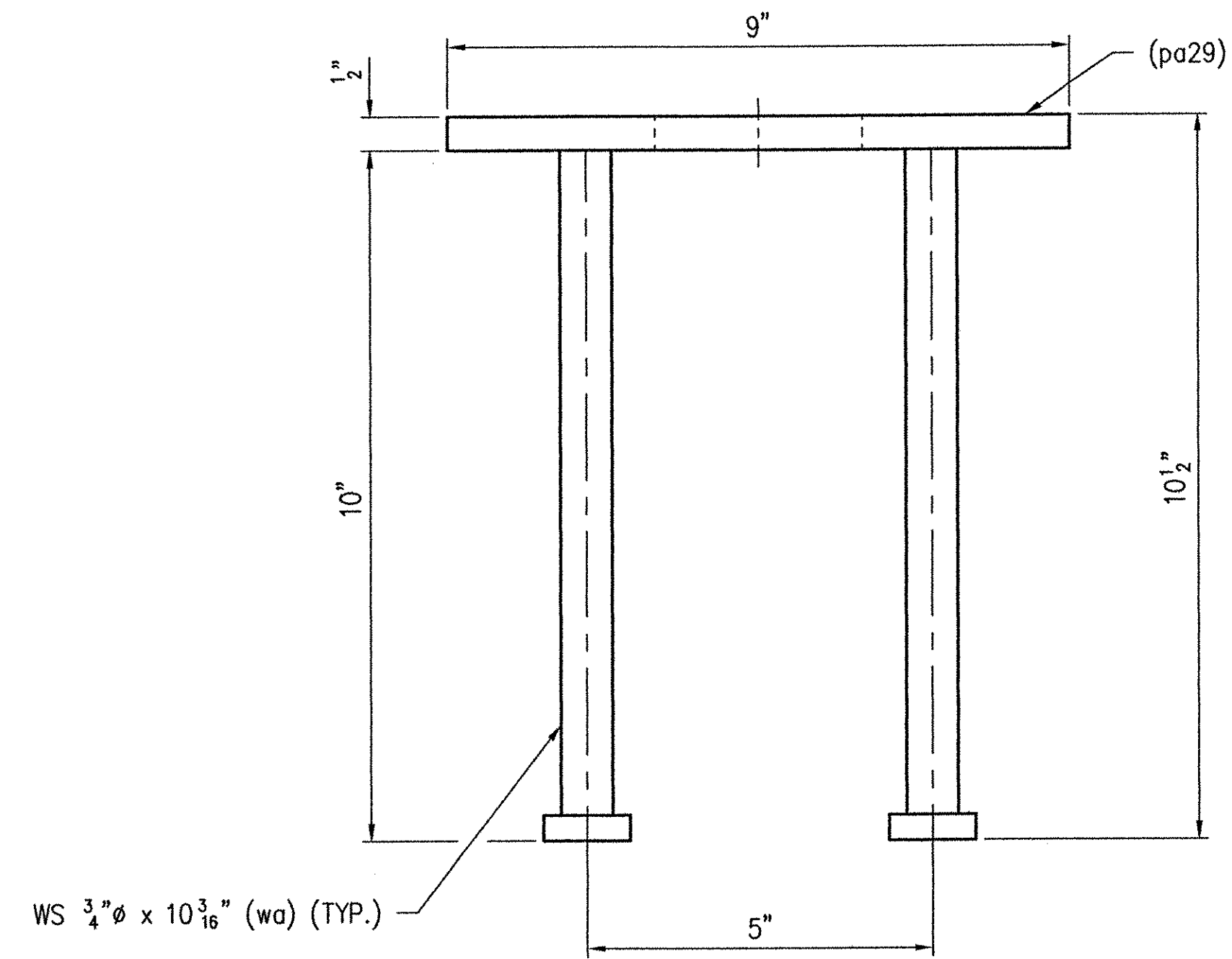



LINE	NO. REQ'D.	DESCRIPTION	LENGTH	MK	REMARKS	PART NO.
1	5	ANCHOR PLATES		29A	HDC	
2	5	R 1/2" x 8"	A36	0'-9"	pa29	19-16
3	20	WS 3/4" x 10 3/16"	A108		wd	29-19



5 - ANCHOR PLATES - 29A

SEE SHEET NO. 30 FOR GENERAL NOTES.

REV.	DESCRIPTION	DATE	INT.
	ANY AND ALL BACKCHARGES WILL BE REJECTED UNLESS WRITTEN CONSENT IS GIVEN BY LEWIS ENGINEERING COMPANY PRIOR TO ANY WORK PERFORMED FOR OUR ACCOUNT. SUCH REJECTION MEANS THAT INVOICES WILL NOT BE HONORED OR DEDUCTIONS FROM PAYMENT WILL BE CHARGED BACK.		
	 <b>LEWIS ENGINEERING COMPANY</b> <small>4201 NOREX DRIVE - CHASKA, MINNESOTA 55318 - (952) 368-3000</small>		
SHOP	PROJECT	ROYALTON / RTE. NO. TH 1, CL 1 BRIDGE NO. 3	
	STATE PROJECT	AC BRZ 1444(22)	
	FEDERAL PROJECT	-	
APPROVAL	CUSTOMER	BECK & BELLUCCI, INC.	
	LOCATION	WINDSOR COUNTY, VT	
	DESCRIPTION	EXPANSION JOINT DETAILS	
	ABUTMENT NO.		
CUST. FOR PRINTS	DATE ISSUED	L.E.C. 29 OF 30	SHEET NO. 14 OF 15
		Job. No. : 2034.1042.1	

**RECEIVED**  
 OK'D BY *WS* OK'D BY \_\_\_\_\_  
 JAN 21 2002  
 RESUBMIT \_\_\_\_\_ APPROVED \_\_\_\_\_  
 BY *CPW* DATE *1/24/02*

*Orig.*  
 W.P. ch'k'd  
 Drawn By JMB  
 Chk'd. By TSF  
 Date: 12/20/01