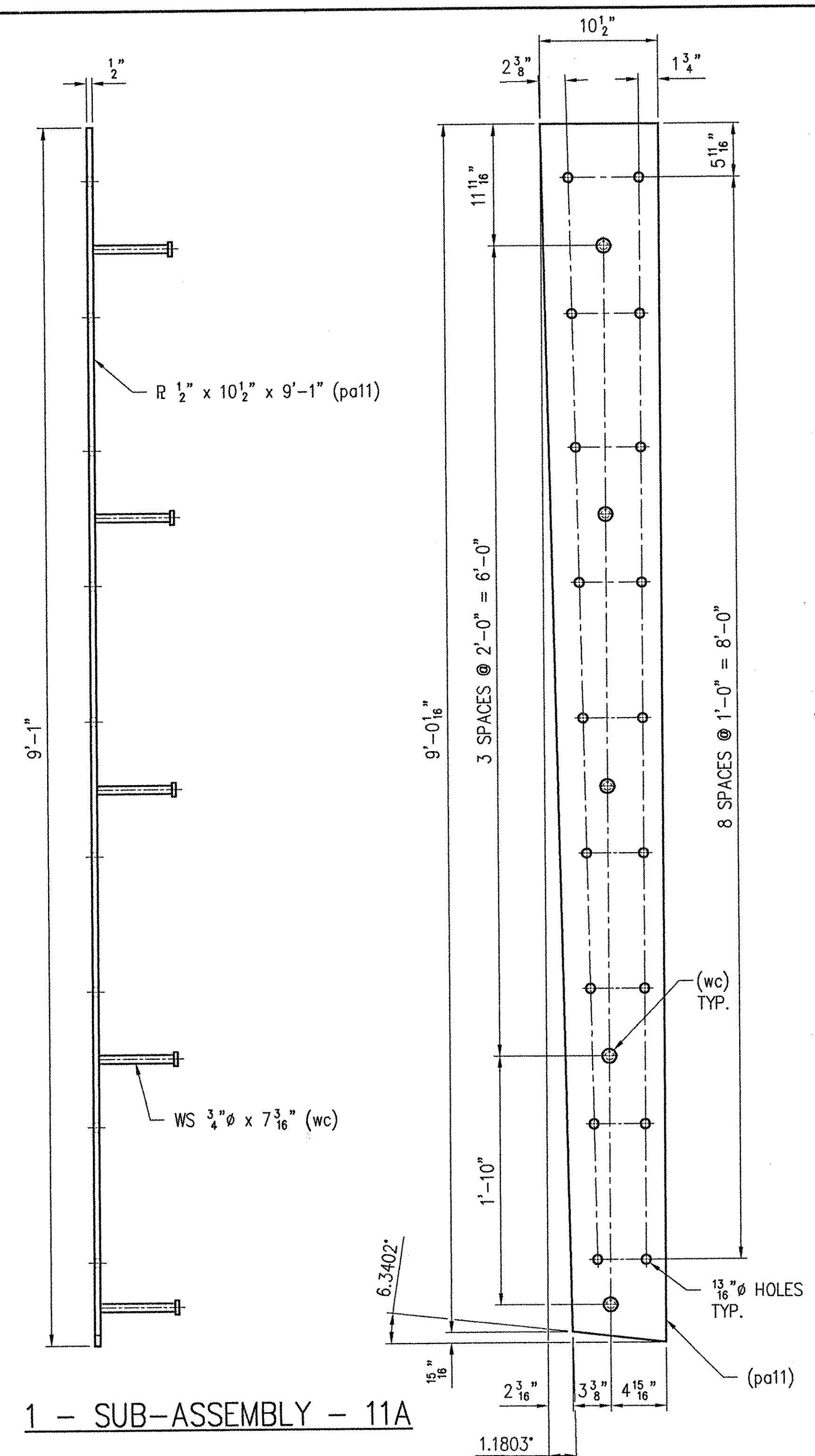


RECEIVED
 OK'D BY LJL OK'D BY _____
 JAN 11 2002
 RESUBMIT _____ APPROVED _____
 BY CPW DATE 1/11/02

SEE SHEET NO. 15 FOR GENERAL NOTES.
 WORK THIS SHEET WITH SHEET NO. 8, 9, 10 & 12.



REV.	DESCRIPTION	DATE	INT.
	ANY AND ALL BACKCHARGES WILL BE REJECTED UNLESS WRITTEN CONSENT IS GIVEN BY LEWIS ENGINEERING COMPANY PRIOR TO ANY WORK PERFORMED FOR OUR ACCOUNT. SUCH REJECTION MEANS THAT INVOICES WILL NOT BE HONORED OR DEDUCTIONS FROM PAYMENT WILL BE CHARGED BACK.		
 4201 NOREX DRIVE - CHASKA, MINNESOTA 55318 - (952) 368-3000			
SHOP	PROJECT - ROYALTON / RTE. NO. TH 1, CL 1 BRIDGE NO. 3		
	STATE PROJECT - AC BRZ 1444(22)		
	FEDERAL PROJECT -		
APPROVAL	CUSTOMER - BECK & BELLUCCI, INC.		
	LOCATION - WINDSOR COUNTY, VT		
DIST.	DESCRIPTION - EXPANSION JOINT DETAILS		
	ABUTMENT NO. 2		
CUST.			
FOR	DATE		
PRINTS ISSUED	LEC. 11 OF 30	SHEET NO. 11 OF 15	Job. No. : 2034.1042.1

W.P. ch'k'd
 Drawn By JMB
 Ch'k'd. By TSF
 Date: 12/5/01