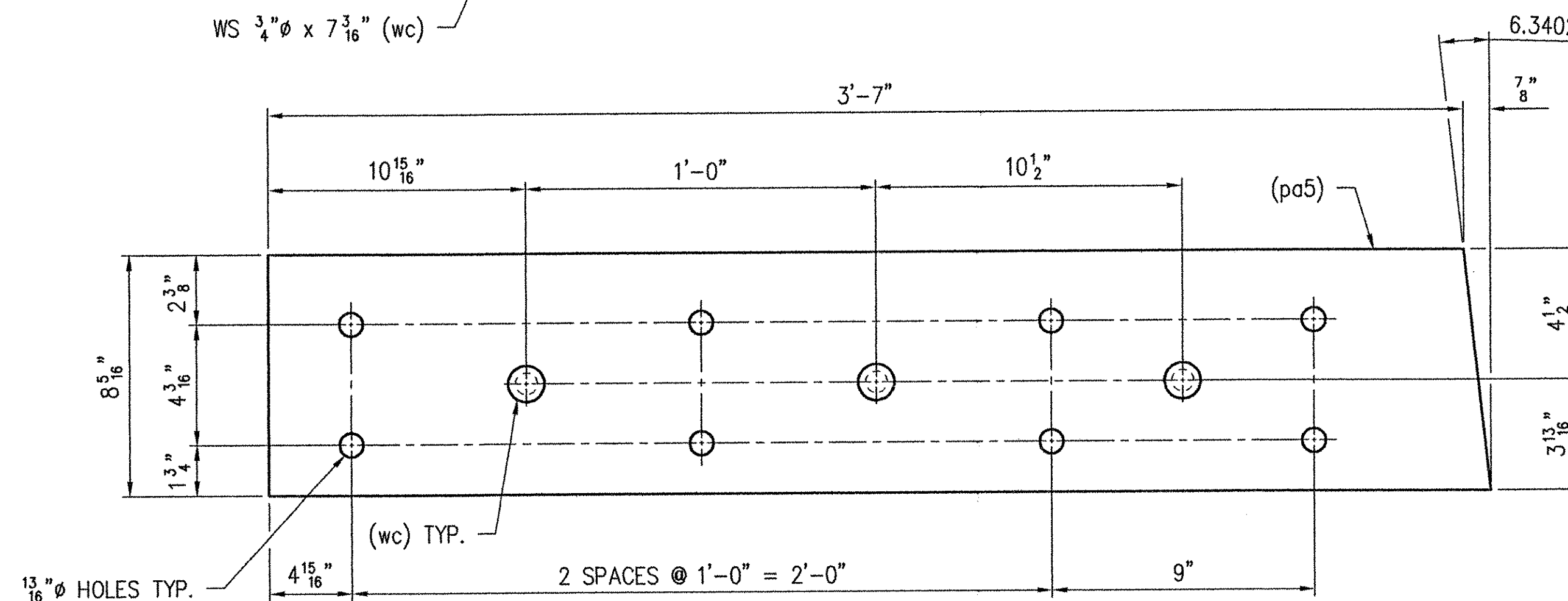
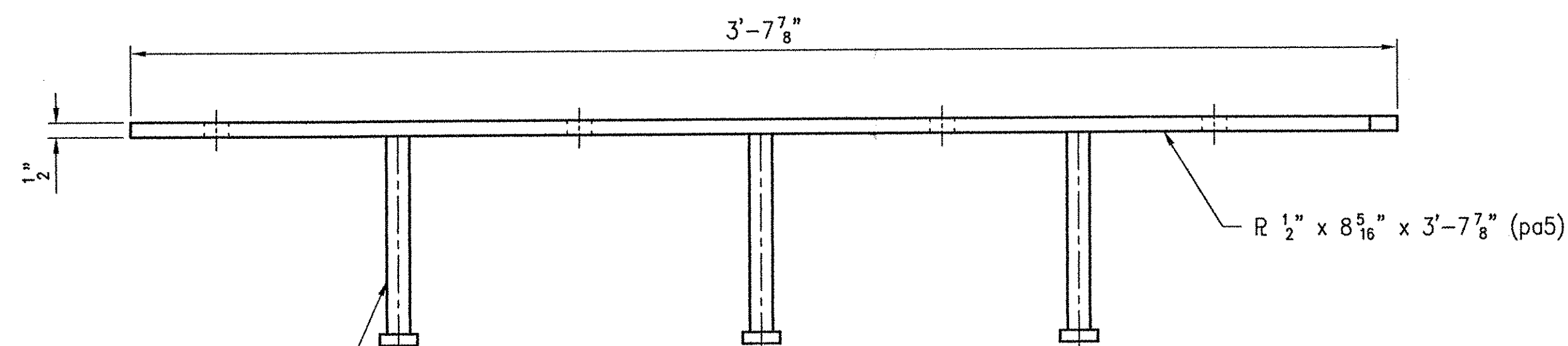
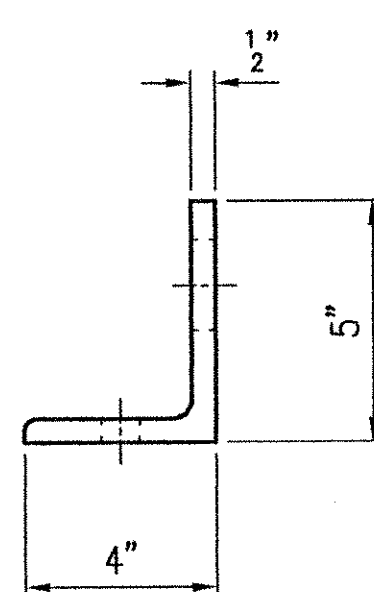
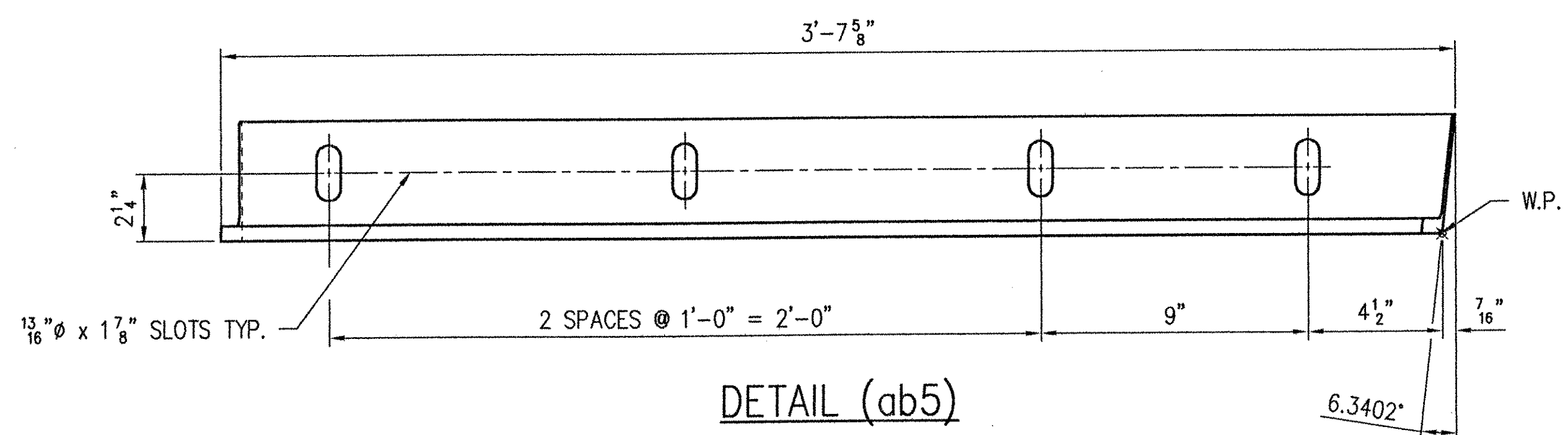
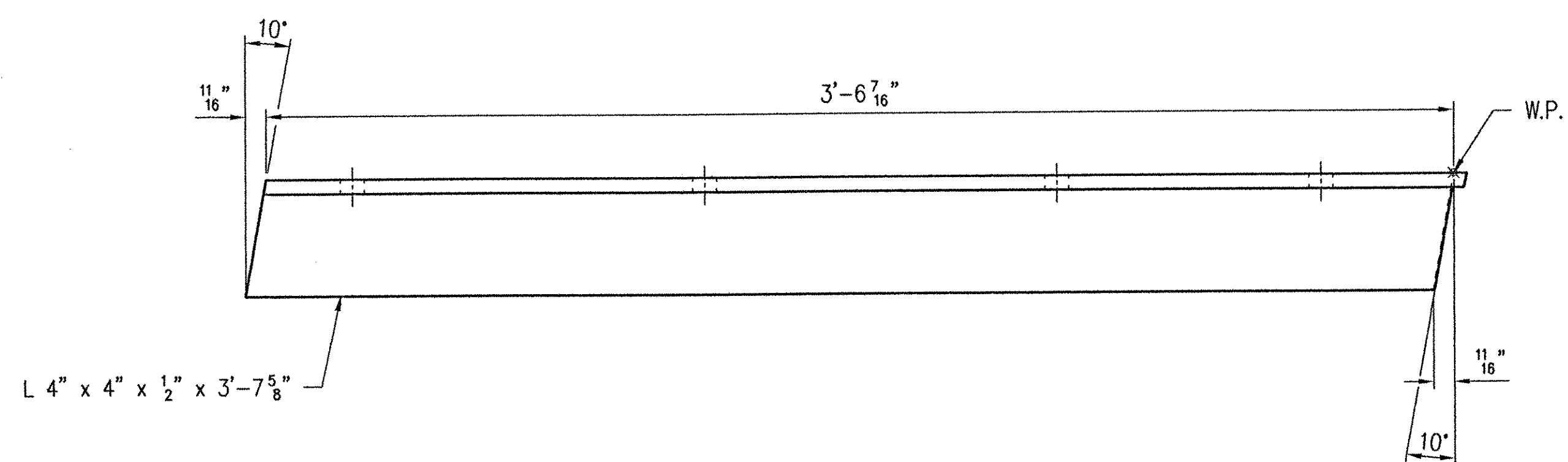


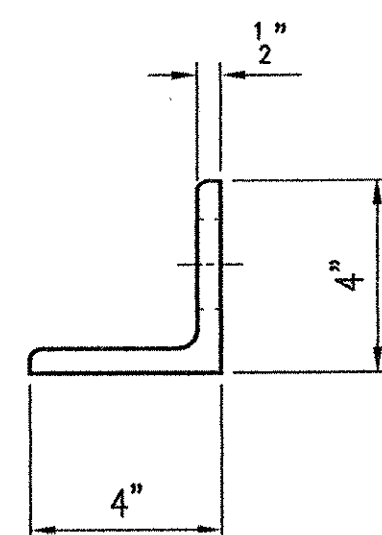
DETAIL (aa5)




1 - SUB-ASSEMBLY - 5A



DETAIL (ab5)



SEE SHEET NO. 15 FOR GENERAL NOTES.
WORK THIS SHEET WITH SHEET NO. 3, 4, 6 & 7.

REV.	DESCRIPTION	DATE	IN
	ANY AND ALL BACKCHARGES WILL BE REJECTED UNLESS WRITTEN CONSENT IS GIVEN BY LEWIS ENGINEERING COMPANY PRIOR TO ANY WORK PERFORMED FOR OUR ACCOUNT. SUCH REJECTION MEANS THAT INVOICES WILL NOT BE HONORED OR DEDUCTIONS FROM PAYMENT WILL BE CHARGED BACK.		
 LEWIS ENGINEERING COMPANY 4201 NOREX DRIVE - CHASKA, MINNESOTA 55318 - (952) 368-3000			
SHOP	PROJECT - ROYALTON / RTE. NO. TH 1, CL 1 BRIDGE NO. 3		
	STATE PROJECT - AC BRZ 1444(22)		
	FEDERAL PROJECT -		
APPROVAL	CUSTOMER - BECK & BELLUCCI, INC.		
	LOCATION - WINDSOR COUNTY, VT		
	DESCRIPTION - EXPANSION JOINT DETAILS ABUTMENT NO. 2		
CUST.			
FOR PRINTS ISSUED	DATE		
	L.E.C. 5 OF 30	SHEET NO. 5 OF 15	Job. No. : 2034.1042.

RECEIVED
 CND BY WLB OK'D BY _____
 JAN 11 2002
 RESUBMIT BY CPW APPROVED BY _____
 DATE 1/11/02

W.P. chkd
 Drawn By JMB
 Chkd. By TSF
 Date: 12/5/01