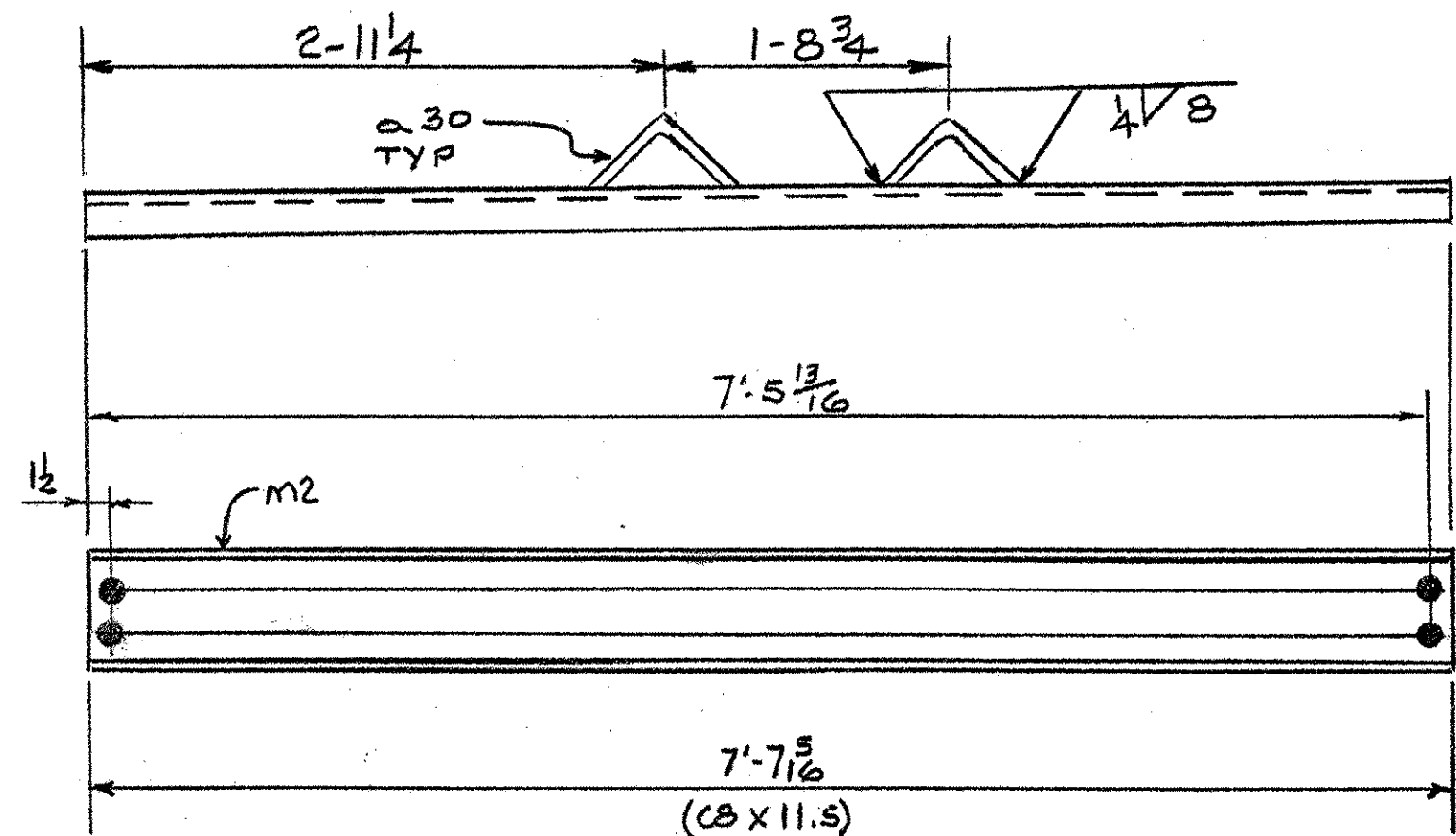


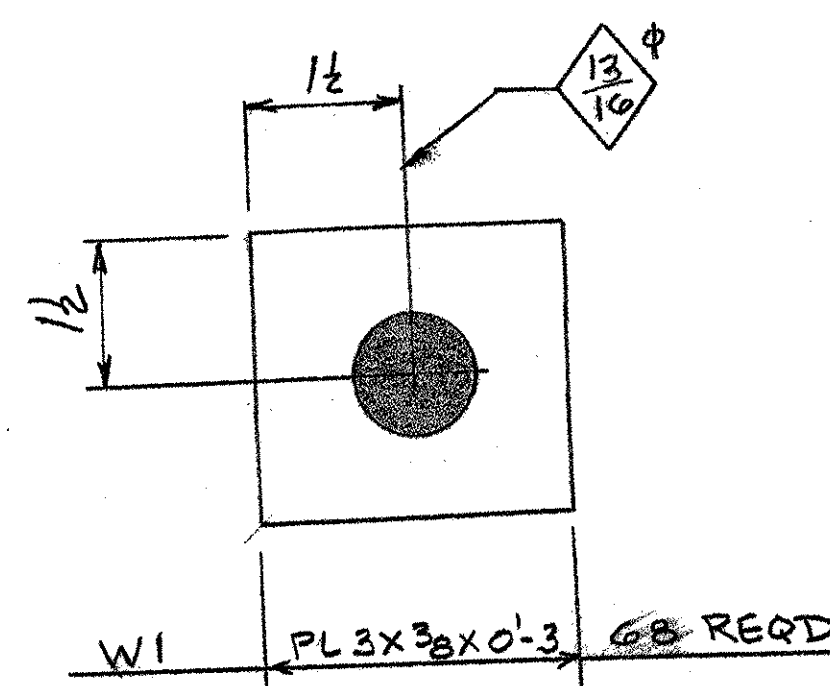
34 - UTILITY SUPPORTS - S1
34 - UTILITY SUPPORTS - SIT

UTSPPT

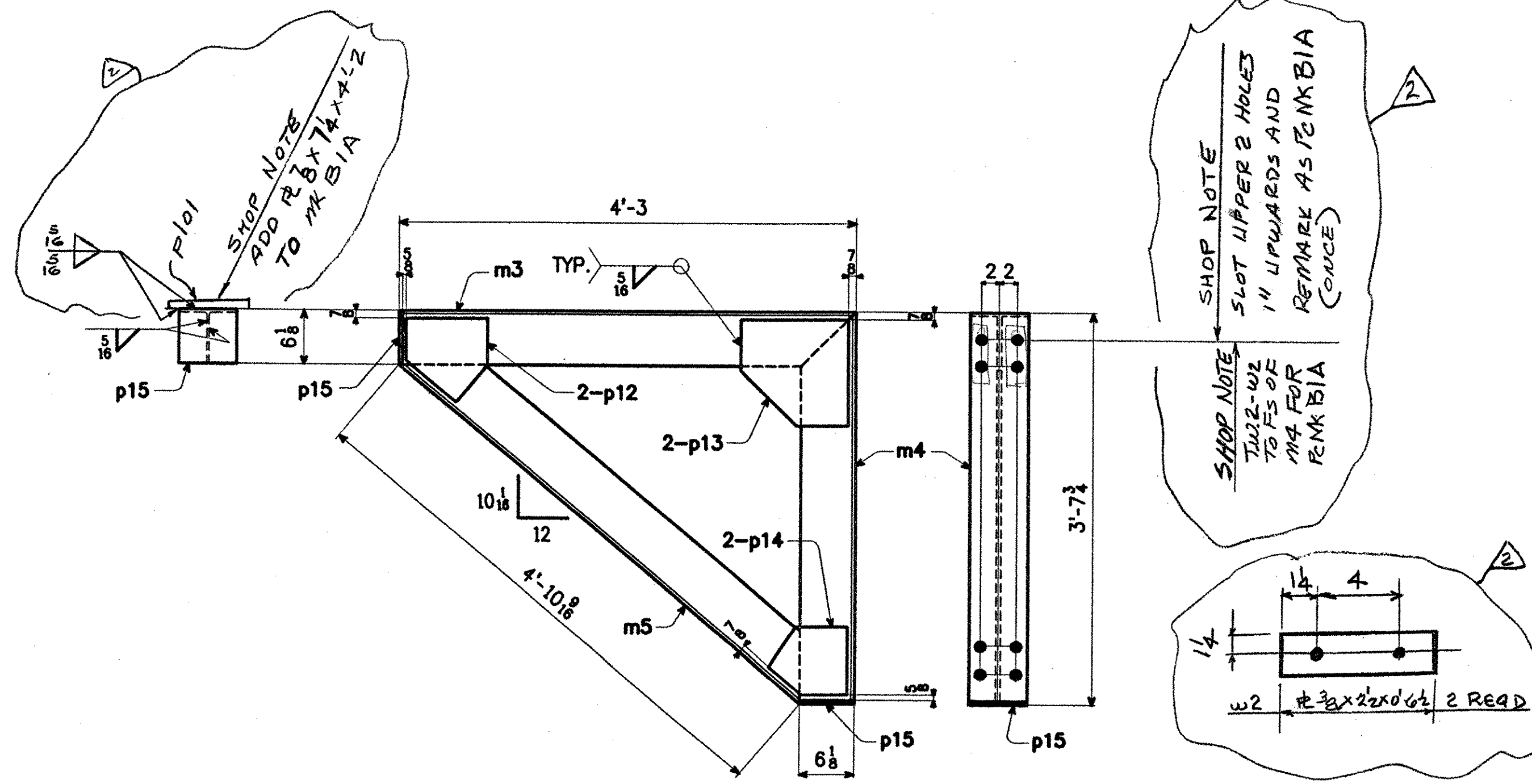


34 - UTILITY SUPPORTS - SIW

UTSPPT

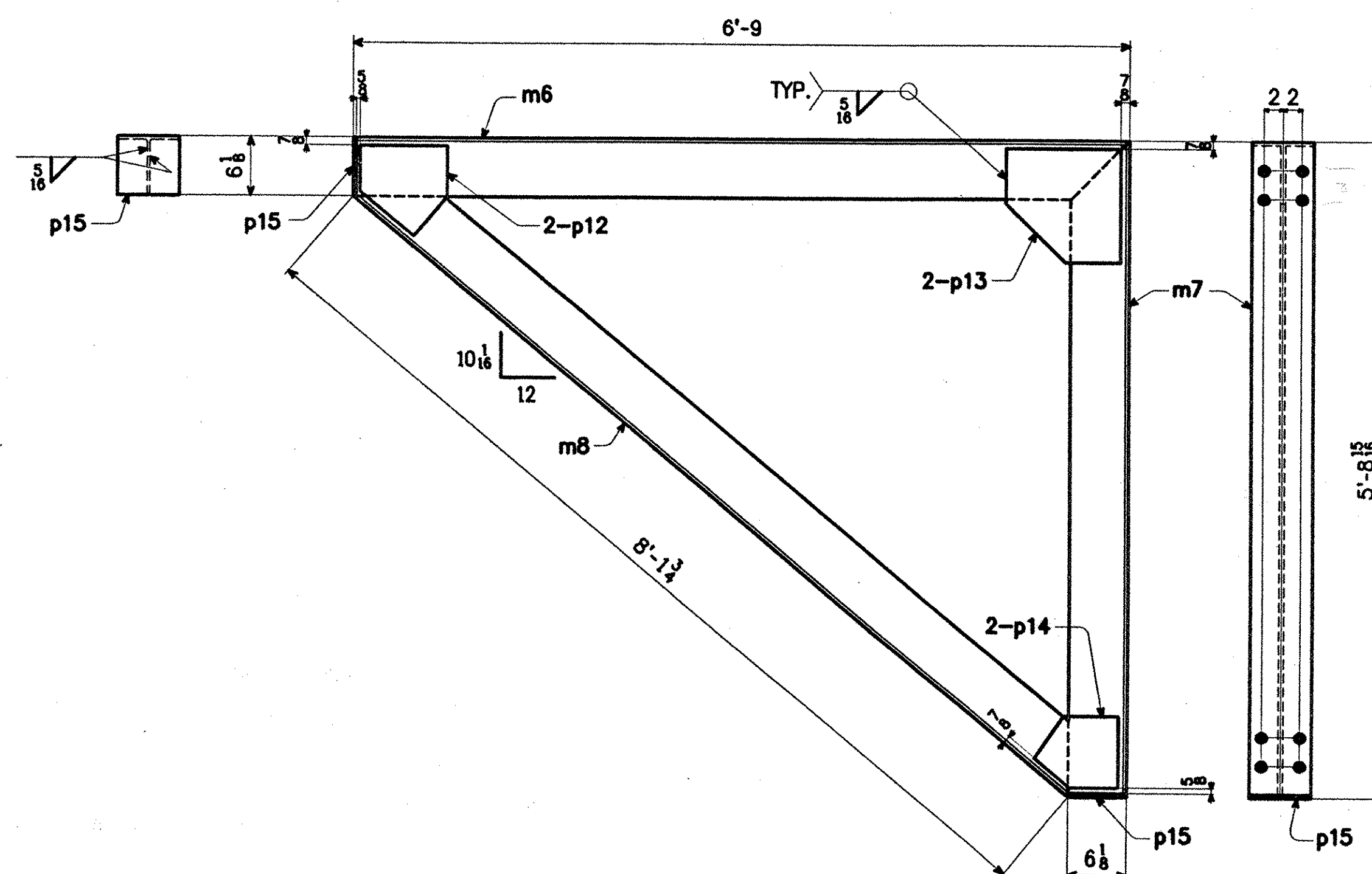


UTSPPT



26 - SIDEWALK BRACKETS - B1

BKSPPT



4 - SIDEWALK BRACKETS - B2

BKSPPT

RECEIVED
OK'D BY: [Signature]
JAN 30 2002
RESUBMIT APPROVED [Signature]
BY: GPW DATE 2/11/02

△ MK BIA 1-28-02 JCM
△ UTILITY SUPPORTS 11-15-01 JCM

SHIP MARK	BILL OF MATERIAL			WORK ORDER NO.	DRAWING NO.	REV.	
	NO.	MARK	SHAPE	LENGTH	ITEM NO.	WT.	REMARKS
S1	34		UTIL. SUPP.				2975 gen'l
	34	m2	C8 x 11.5	7'-7 5/16	54/11	2975	
B1A	1		BRACKET				330 (23)
B1	25		BRACKETS				5918
	26	m3	WT6 x 13	4'-2 5/8	54/5	1426	
	26	m4	WT6 x 13	3'-7 3/8	54/7	1222	
	26	m5	WT6 x 13	4'-10 1/8	54/6	1650	
	52	p12	PL 3/8 x 9 1/2	0'-9 7/8	54/8	476	
	52	p13	PL 3/8 x 12	1'-0	54/9	796	
	52	p14	PL 3/8 x 7 1/2	0'-8 13/16	53/10	365	
	52	p15	PL 3/8 x 6 1/2	0'-6 1/2	53/11	220	
	1	p101	PL 3/8 x 7 1/2	4'-2		90	B1A
	2	w2	PL 3/8 x 2 1/2	0'-6 1/2		3	B1A
B2	4		BRACKETS				1856
	4	m6	WT6 x 13	6'-8 5/8	54/5	349	
	4	m7	WT6 x 13	5'-8 1/8		297	
	4	m8	WT6 x 13	8'-1 1/2		424	
	8	p12	PL 3/8 x 9 1/2	0'-9 1/8	54/8	73	
	8	p13	PL 3/8 x 12	1'-0	54/9	123	
	8	p14	PL 3/8 x 7 1/2	0'-8 13/16	53/10	56	
	8	p15	PL 3/8 x 6 1/2	0'-6 1/2	53/11	34	
SIT	34		UTIL SUPP				2975
	34	m2a	C8 x 11.5	7-7 5/16	54/11	2975	Telephone
SIW	34		UTIL SUPP				3161
	34	m2	C8 x 11.5	7-7 5/16	54/11	2975	Weather
	68	a30	L2 1/2 x 2 1/2 x 1/4	0-8	54/10	186	
W1	68		PL WASHER				65
	68	p50	PL 3 x 3/8	0-3	54/17	65	
							16780 #

2-14-02

STEEL: ASTM A709-36 A709-50 A709-50W Unless Noted

WELDING ELECTRODE: E70 See Welding Proc. None

HOLES: 13/16 15/16 Unless Noted As Noted None

PAINT: None Galv. After Fab. As Noted

SPECIAL PAINT: None

SPECIAL CLEANING: Blast Clean SSPC SP10 None

ITEM NO. 506.55 BR. NO. 3 PROJ. NO. BRZ 1444(22)

TITLE: UTILITY SUPPORT DETAILS

APPROVED: 9-5-01
PRINT DIST.
5 4-7-01 APPR.
ORIG. 9-5-01 FAB.
5 7-12-01 APP
5 8-24-01 APP
5 11-19-01 APP
11 11-19-01 FAB
5 1-23-02 APP
11 1-23-02 FAB

RECEIVED
OK'D BY: [Signature]
JAN 30 2002
RESUBMIT APPROVED [Signature]
BY: GPW DATE 2/11/02

△ MK BIA 1-28-02 JCM
△ UTILITY SUPPORTS 11-15-01 JCM

REVIS
NE National Eastern Corporation
Plainville, Connecticut

JOB: T.H. 1 OVER THE WHITE RIVER
ROYALTON, VERMONT

FOR APPROVAL

CUSTOMER: BECK & BELLUCCI, INC.
DESIGNER: VERMONT AGENCY OF TRANSPORTATION

DRAWN TS 3/01
CHECKED AV 3/01

WORK ORDER NO. 15873
DRAWING NO. 20-7
REV. 2