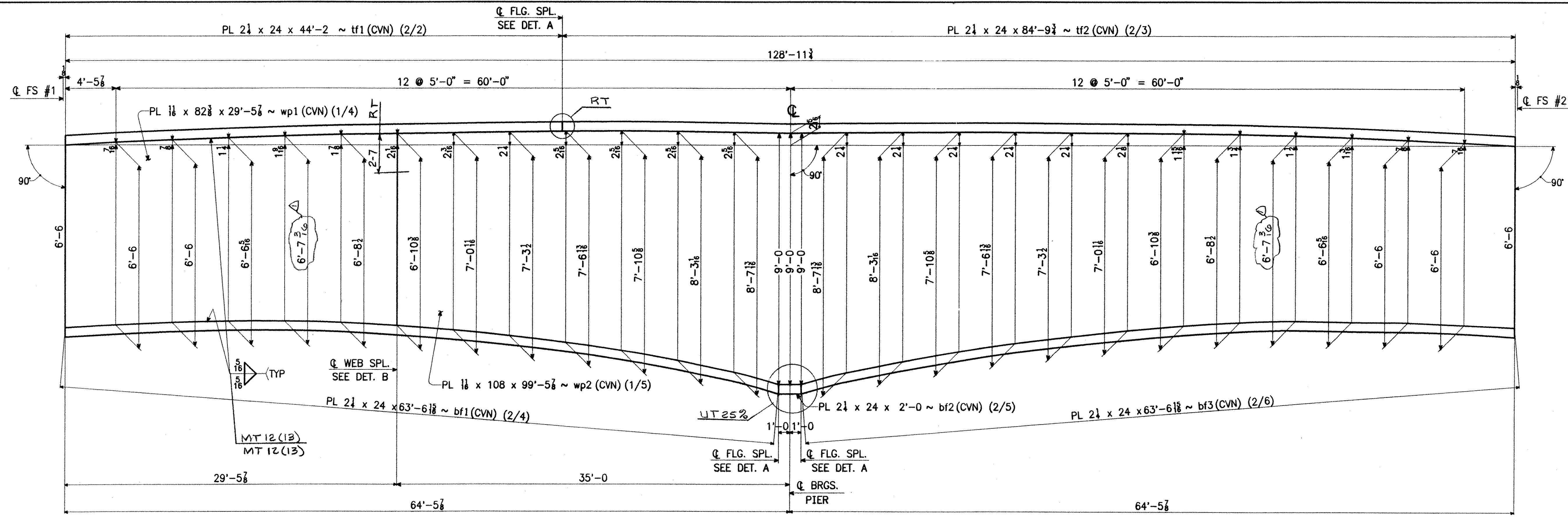
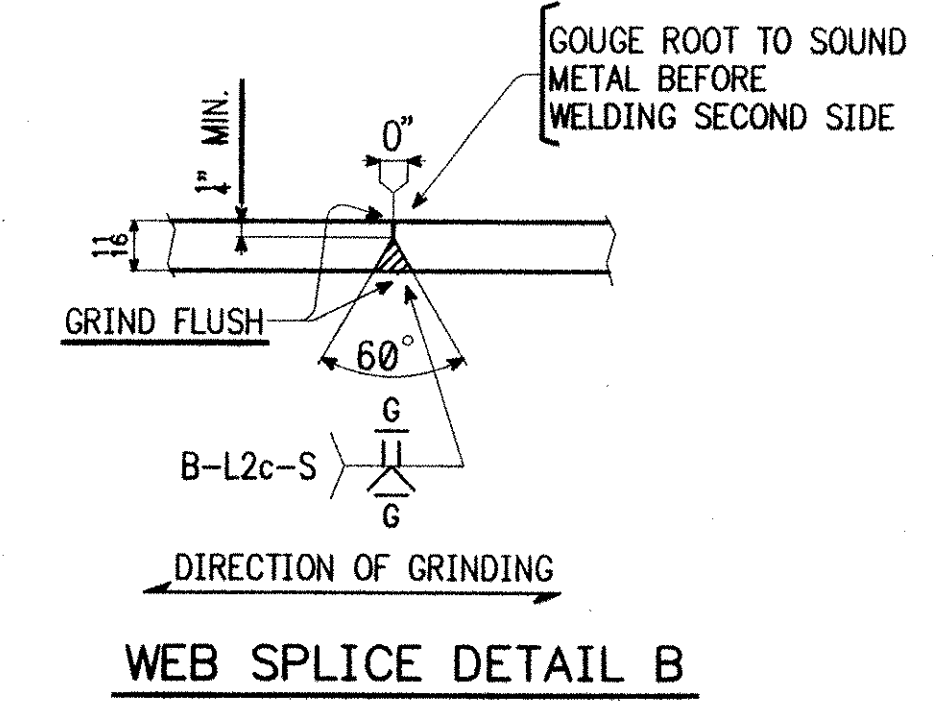
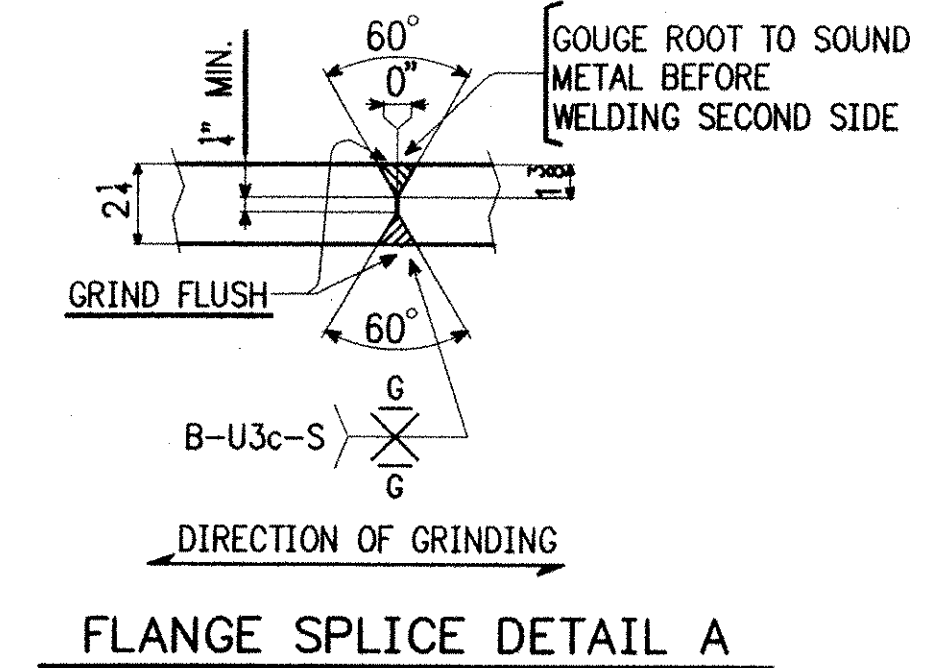


WORK ORDER NO.	DRAWING NO.	REV.
15873	12-8	2



CAMBER DIAGRAM FOR GIRDER ~ G5B



- NOTES:**
1. MATERIAL: ASTM A709-50W
 2. CVN DENOTES CHARPY V-NOTCH TESTING REQUIRED.

RECEIVED
 OK'D BY WGS OK'D BY _____
 AUG 27 2001
 RESUBMIT _____ APPROVED ✓
 BY AW DATE 8/30/01

NDT 8-23-01 JCM
 WEB DEPTH 6-25-01 JCM
 APPL COMMENTS (GEN REV) 6-21-01 AV

ITEM NO. 506.55	BR. NO. 3	PROJ. NO. BRZ 1444(22)
TITLE: CAMBER DIAGRAMS FOR APPROVAL		
APPROVED: PRINT DIST.		
5	4-7-01	APPR.
ORIG.	6-21-01	FAB.
11	6-25-01	FAB
5	7-13-01	APP
5	8-24-01	APP
12	8-24-01	FAB
JOB: T.H. 1 OVER THE WHITE RIVER ROYALTON, VERMONT		
CUSTOMER: BECK & BELLUCCI, INC.		
DESIGNER: VERMONT AGENCY OF TRANSPORTATION		
CHECKED	TS	3/01
DRAWN	AV	3/01
15873	12-8	2