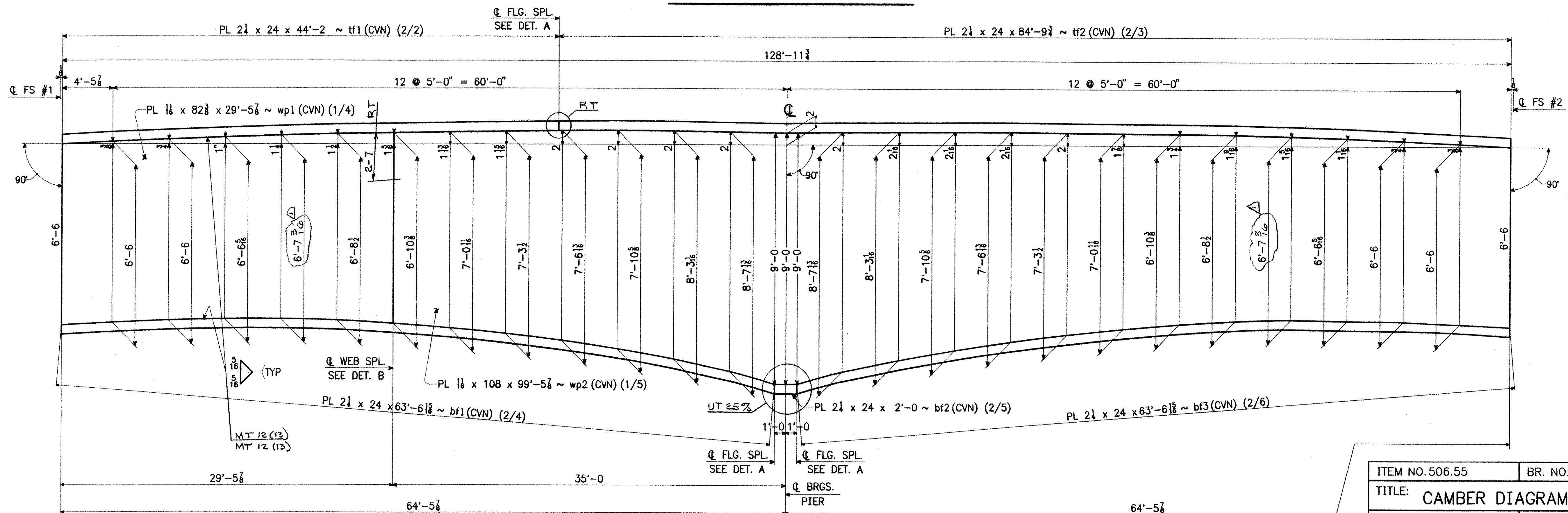
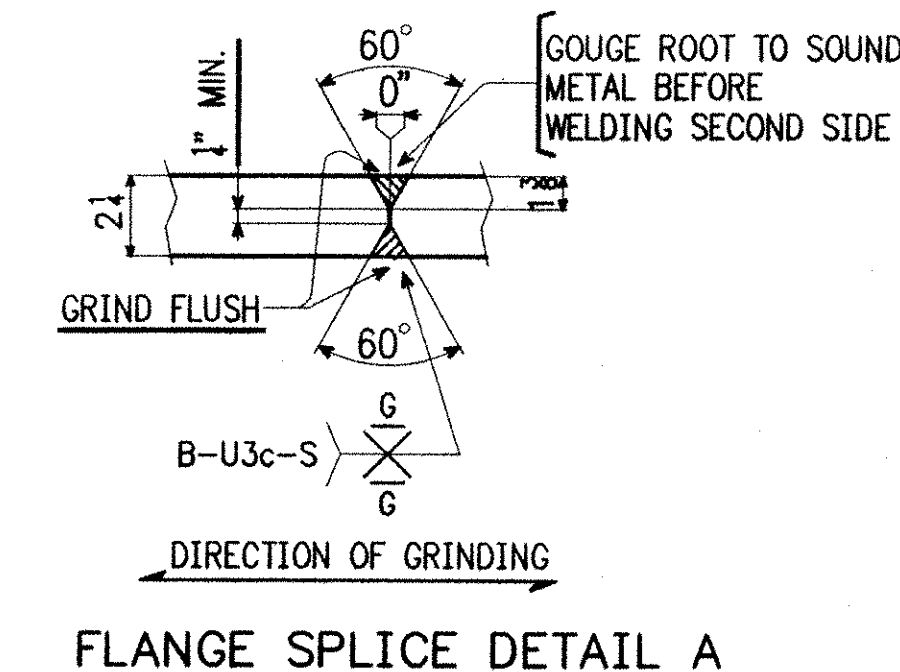
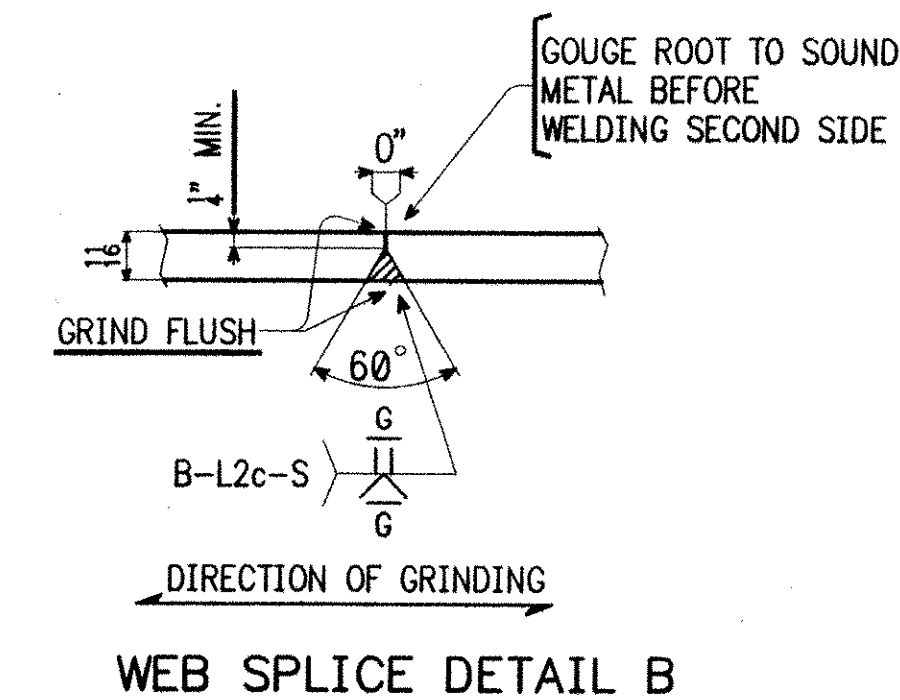


CAMBER DIAGRAM FOR GIRDER ~ G3B



CAMBER DIAGRAM FOR GIRDER ~ G4B



NOTES:

1. MATERIAL: ASTM A709-50W
2. CVN DENOTES CHARTY V-NOTCH TESTING REQUIRED.

RECEIVED  
OK'D BY WJB OK'D BY

AUG 27 2001

RESUBMIT APPROVED  
BY CPW DATE 8/30/01

- NDT 8-23-01 JCM
- WEB DEPTH 6-25-01 JCM
- APPL COMMENTS (GEN REV) 6-21-01 AV

ITEM NO. 506.55	BR. NO. 3	PROJ. NO. BRZ 1444(22)
TITLE: CAMBER DIAGRAMS		FOR APPROVAL
APPROVED:		
PRINT DIST.		
5	4-7-01	APPR.
ORIG.	6-21-01	FAB.
11	6-25-01	FAB
5	7-13-01	APP
5	8-24-01	APP
12	8-24-01	FAB
NATIONAL EASTERN CORPORATION Plainville, Connecticut		
JOB: T.H. 1 OVER THE WHITE RIVER ROYALTON, VERMONT		
CUSTOMER: BECK & BELLUCCI, INC.		
DESIGNER: VERMONT AGENCY OF TRANSPORTATION		
CHECKED	TS	3/01
DRAWN	AV	3/01
WORK ORDER NO.	DRAWING NO.	REV.
15873	12-7	2