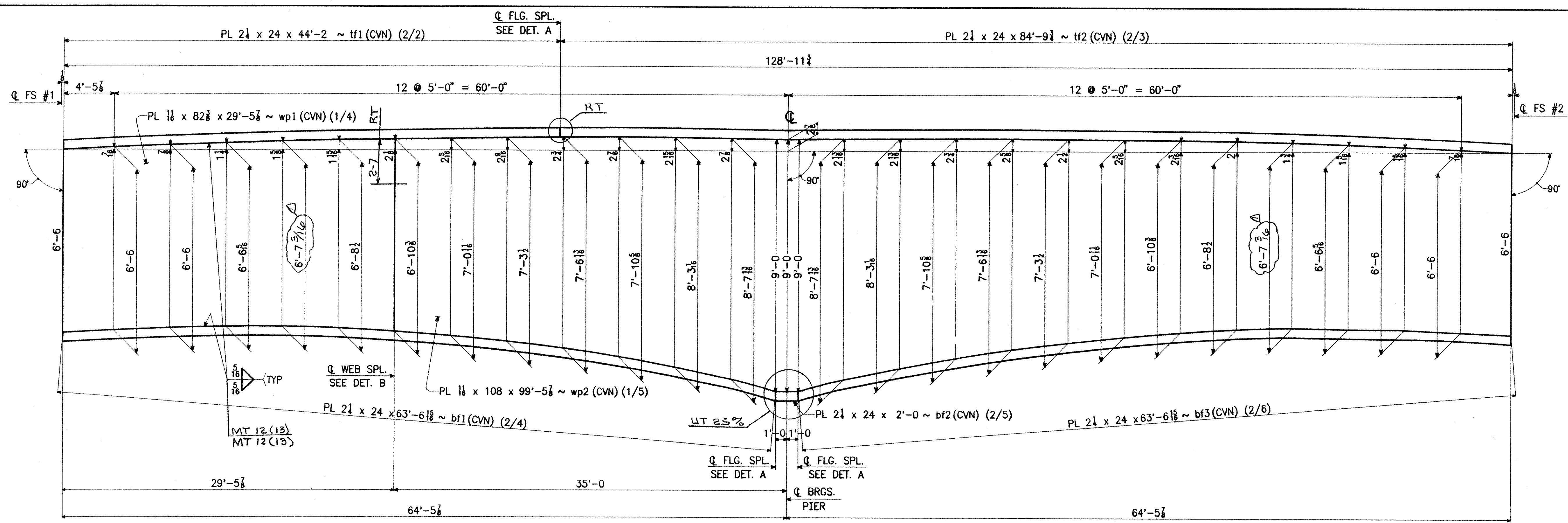
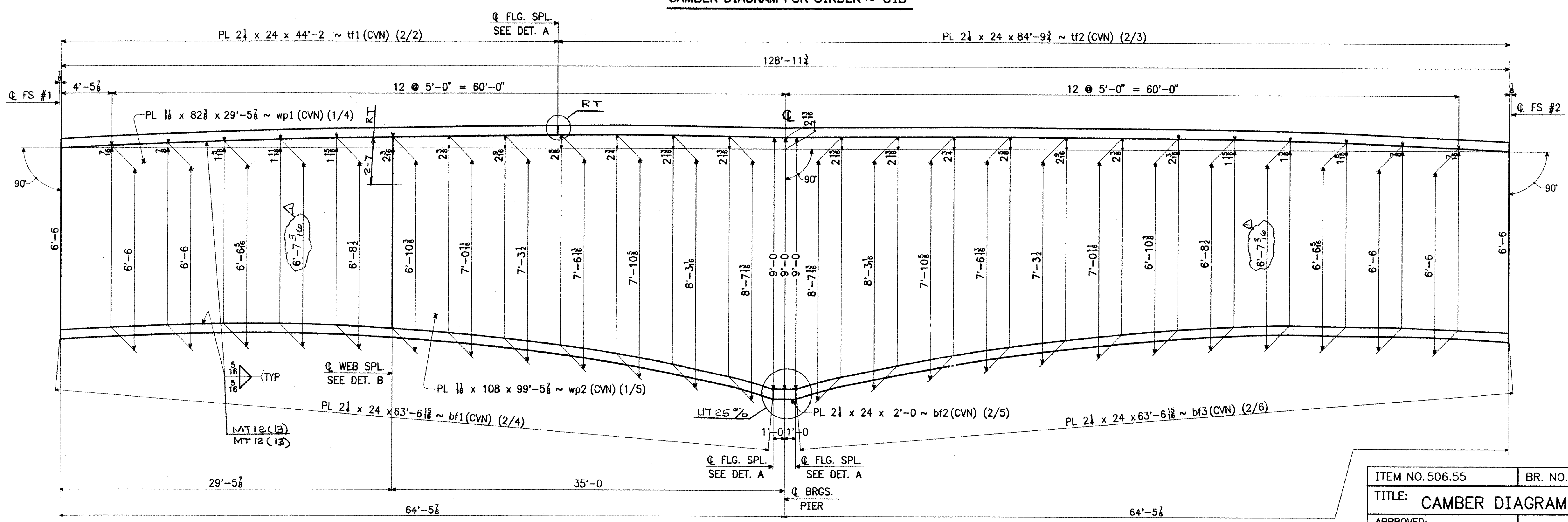


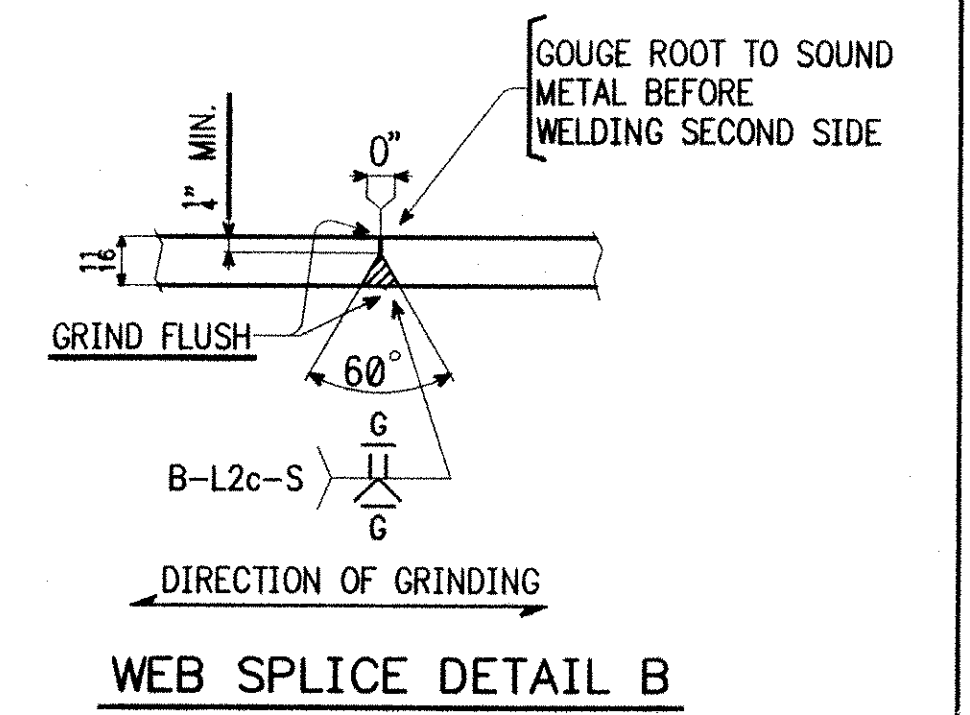
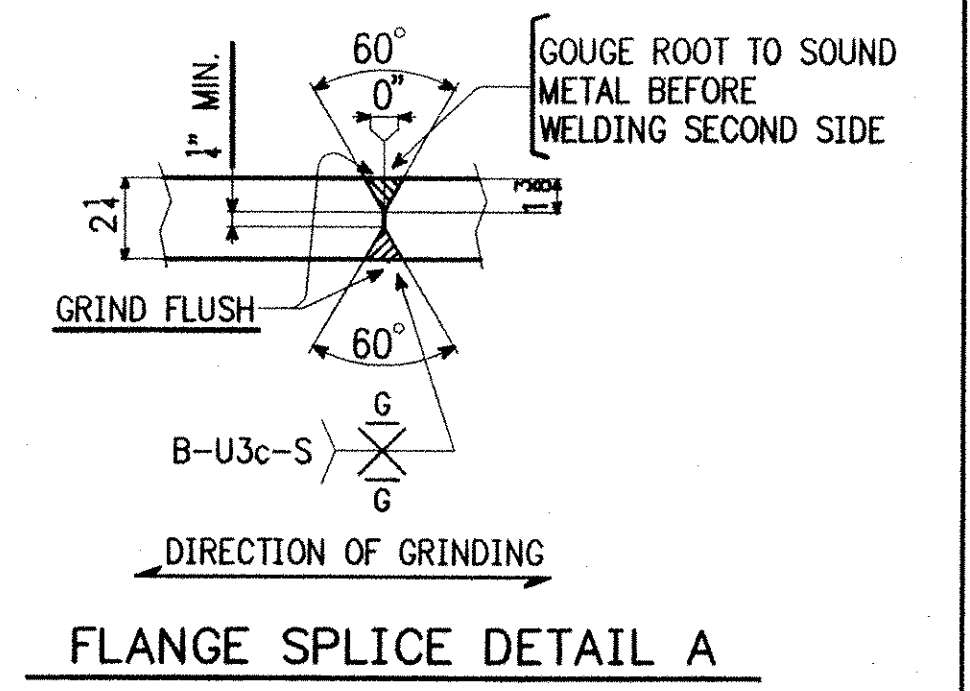
WORK ORDER NO.	DRAWING NO.	REV.
15873	12-6	2



CAMBER DIAGRAM FOR GIRDER ~ G1B



CAMBER DIAGRAM FOR GIRDER ~ G2B



- NOTES:
1. MATERIAL: ASTM A709-50W
 2. CVN DENOTES CHARPY V-NOTCH TESTING REQUIRED.

RECEIVED
 OK'D BY: [Signature] OK'D BY: [Signature]
 AUG 27 2001
 RESUBMIT APPROVED [Signature]
 BY: [Signature] DATE: 8/30/01

- ② NDT 8-23-01 JCM
- ③ WEB DEPTH 6-25-01 JCM
- ④ APPL COMMENTS (GENREV) 6-21-01

ITEM NO. 506.55	BR. NO. 3	PROJ. NO. BRZ 1444(22)
TITLE: CAMBER DIAGRAMS		
FOR APPROVAL		
 National Eastern Corporation Plainville, Connecticut		
APPROVED:		JOB: T.H. 1 OVER THE WHITE RIVER ROYALTON, VERMONT
PRINT DIST.	APPR.	CUSTOMER: BECK & BELLUCCI, INC. DESIGNER: VERMONT AGENCY OF TRANSPORTATION
5 4-7-01		
ORIG. 6-21-01	FAB.	
11 6-25-01	FAB	
5 7-13-01	APP	
5 8-24-01	APP	WORK ORDER NO. 15873
12 8-24-01	FAB	DRAWING NO. 12-6
CHECKED TS 3/01		REV. 2
DRAWN AV 3/01		