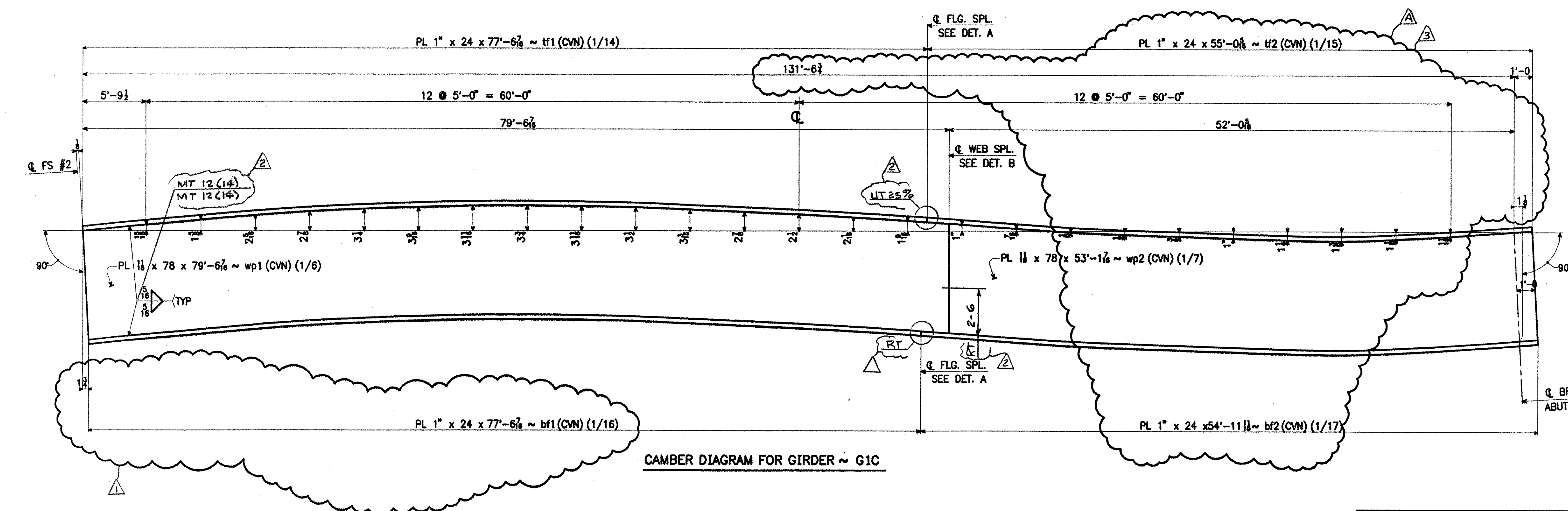
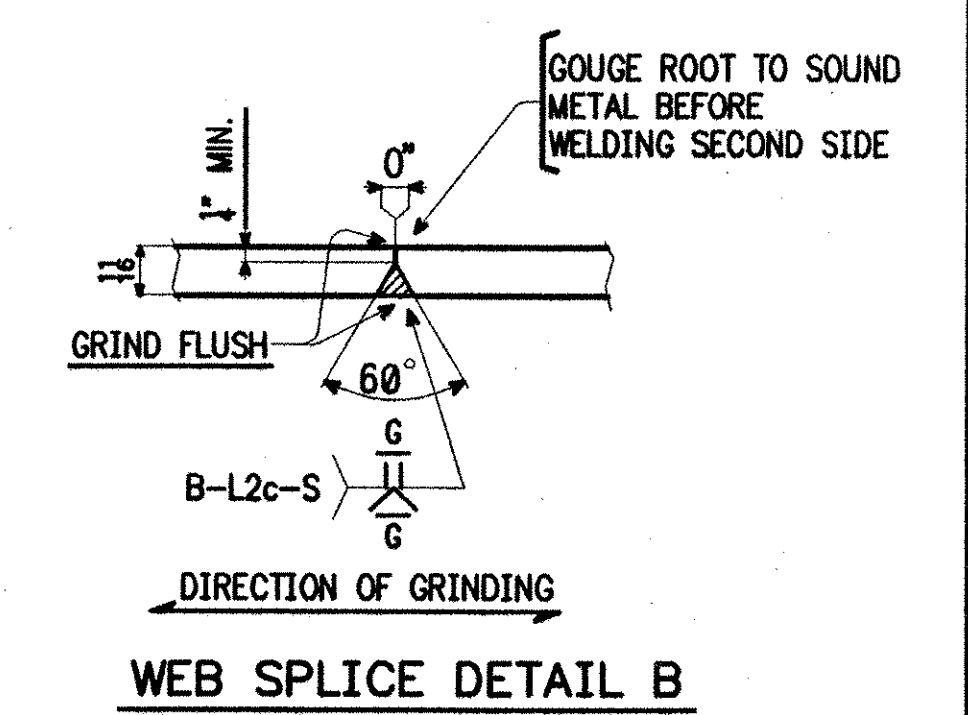
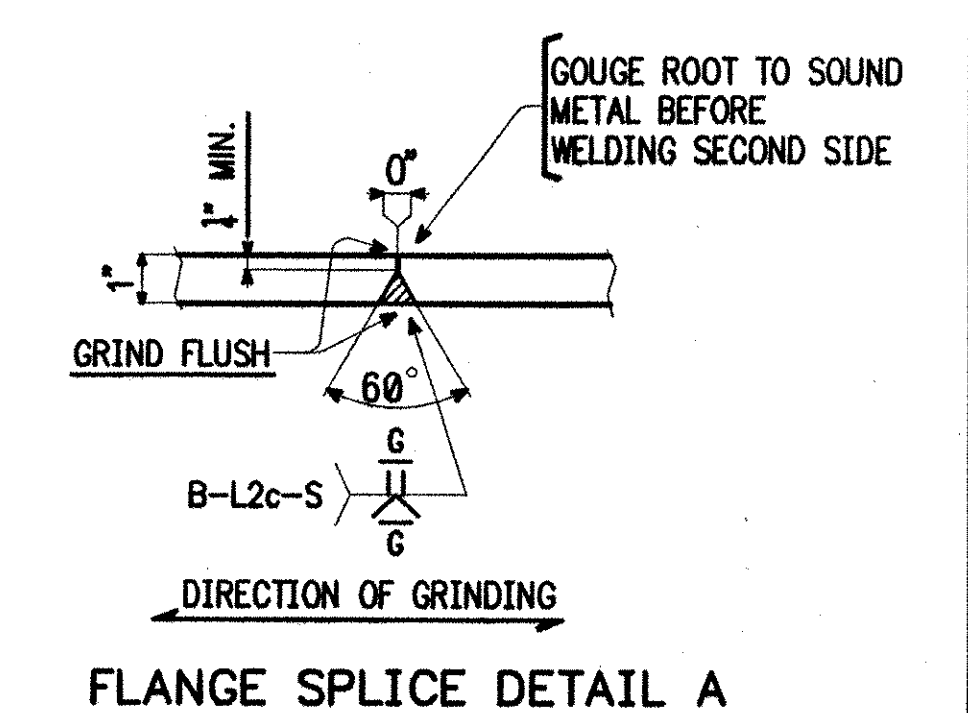


CAMBER DIAGRAM FOR GIRDER ~ G5A



CAMBER DIAGRAM FOR GIRDER ~ G1C



- NOTES:**
- MATERIAL: ASTM A709-50W
  - CVN DENOTES CHARPY V-NOTCH TESTING REQUIRED.

- ▲ FLG & WEB 12-17-01 AV
- ▲ NDT 8-23-01 JCM
- ▲ APPL COMMENTS 6-21-01 AV
- ▲ APPL COMMENTS 6-21-01 AV

RECEIVED  
 OK'D BY: [Signature] OK'D BY: [Signature]  
 DEC 27 2001  
 RESUBMIT: [Signature] APPROVED: [Signature]  
 BY: [Signature] DATE: 1/4/02

ITEM NO. 506.55	BR. NO. 3	PROJ. NO. BRZ 1444(22)
TITLE: CAMBER DIAGRAMS		
APPROVED: 9-5-01	PRINT DIST.	
5 4-7-01 APPR.	FAB.	
ORIG. 6-21-01 FAB.	APP.	
5 7-13-01 APP	FAB	
12 8-23-01 FAB	APP	
5 8-24-01 APP	FAB	
12 8-24-01 FAB	APP	
5 12-18-01 APP	FAB	
11 12-18-01 FAB	APP	
NATIONAL EASTERN CORPORATION Plainville, Connecticut JOB: T.H. 1 OVER THE WHITE RIVER ROYALTON, VERMONT CUSTOMER: BECK & BELLUCCI, INC. DESIGNER: VERMONT AGENCY OF TRANSPORTATION		
CHECKED TS 3/01	WORK ORDER NO. 15873	DRAWING NO. 12-3
DRAWN AV 3/01		REV. 3

FOR APPROVAL  
 REVISED