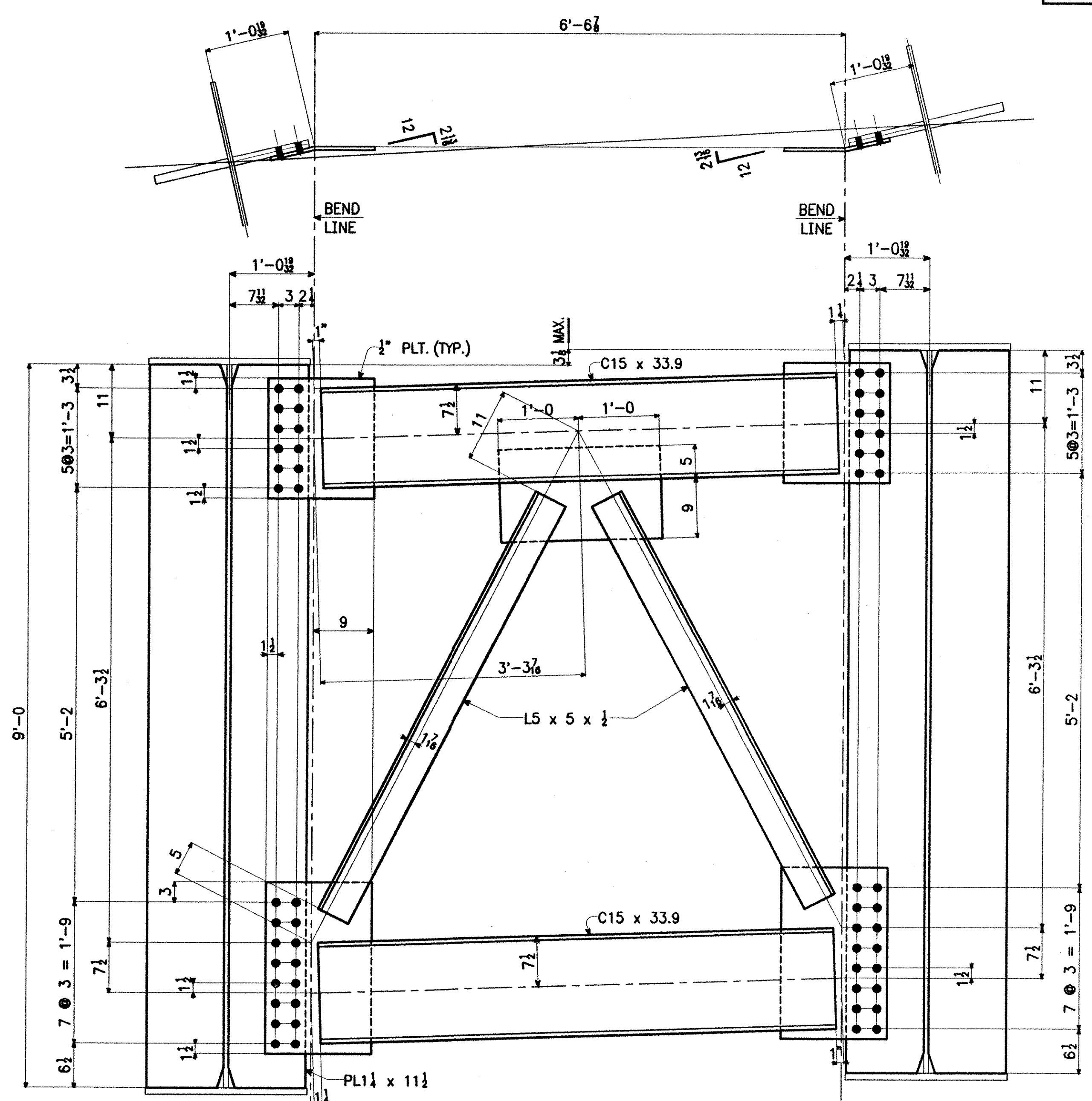
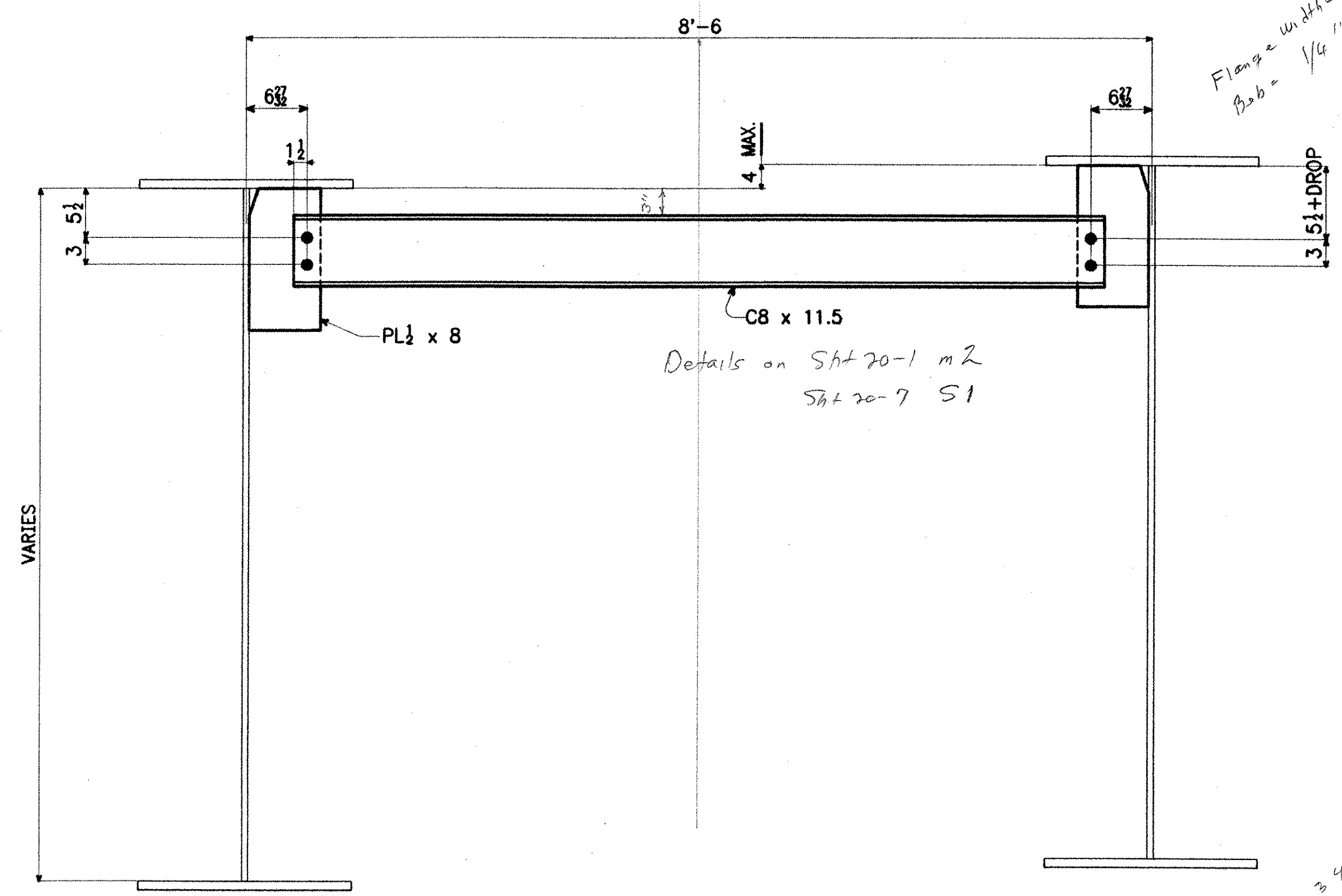


ABUT. CROSSFRAME LAYOUT



PIER CROSSFRAME LAYOUT



UTILITY SUPPORT LAYOUT

Details on SH 70-1 m2  
SH 70-7 S1

Flange width = 1 1/4"  
B2b = 1/8"

RECEIVED  
CK'D BY LJS OK'D BY  
AUG 27 2001  
RESUBMIT APPROVED  
BY CPW DATE 8/30/01

ITEM NO. 506.55	BR. NO. 3	PROJ. NO. BRZ 1444(22)
TITLE: LAYOUTS		
FOR APPROVAL		
 National Eastern Corporation Plainville, Connecticut		
JOB: T.H. 1 OVER THE WHITE RIVER ROYALTON, VERMONT		
CUSTOMER: BECK & BELLUCCI, INC.		
DESIGNER: VERMONT AGENCY OF TRANSPORTATION		
CHECKED	TS	3/01
DRAWN	AV	3/01
WORK ORDER NO.	DRAWING NO.	REV.
15873	WS3	A